



Chipsmall Limited consists of a professional team with an average of over 10 year of expertise in the distribution of electronic components. Based in Hongkong, we have already established firm and mutual-benefit business relationships with customers from,Europe,America and south Asia,supplying obsolete and hard-to-find components to meet their specific needs.

With the principle of “Quality Parts,Customers Priority,Honest Operation,and Considerate Service”,our business mainly focus on the distribution of electronic components. Line cards we deal with include Microchip,ALPS,ROHM,Xilinx,Pulse,ON,Everlight and Freescale. Main products comprise IC,Modules,Potentiometer,IC Socket,Relay,Connector.Our parts cover such applications as commercial,industrial, and automotives areas.

We are looking forward to setting up business relationship with you and hope to provide you with the best service and solution. Let us make a better world for our industry!



Contact us

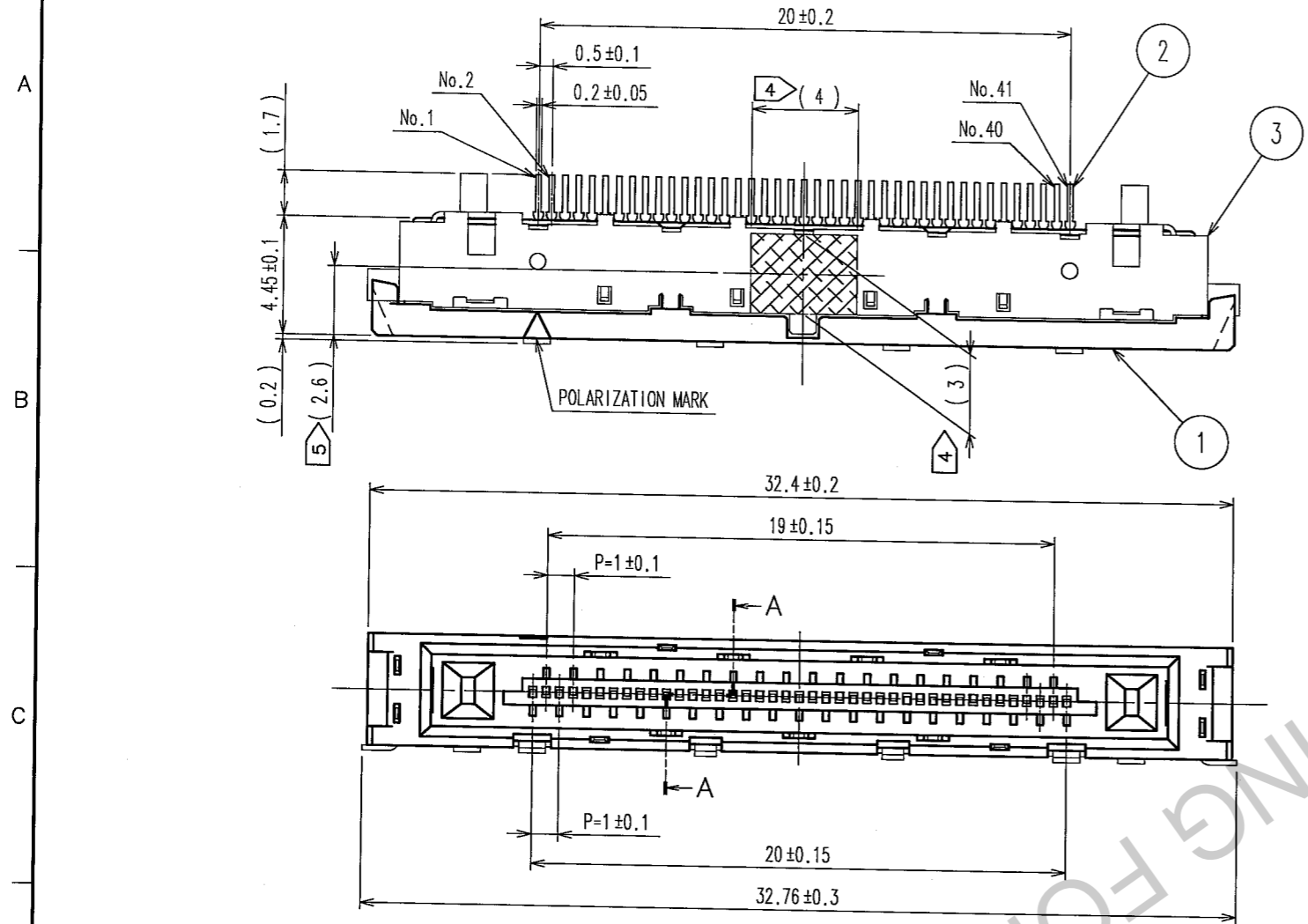
Tel: +86-755-8981 8866 Fax: +86-755-8427 6832

Email & Skype: info@chipsmall.com Web: www.chipsmall.com

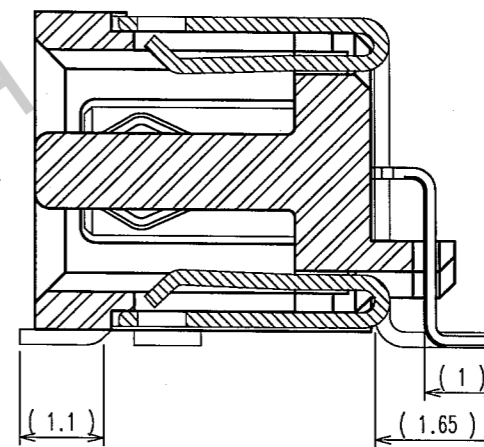
Address: A1208, Overseas Decoration Building, #122 Zhenhua RD., Futian, Shenzhen, China



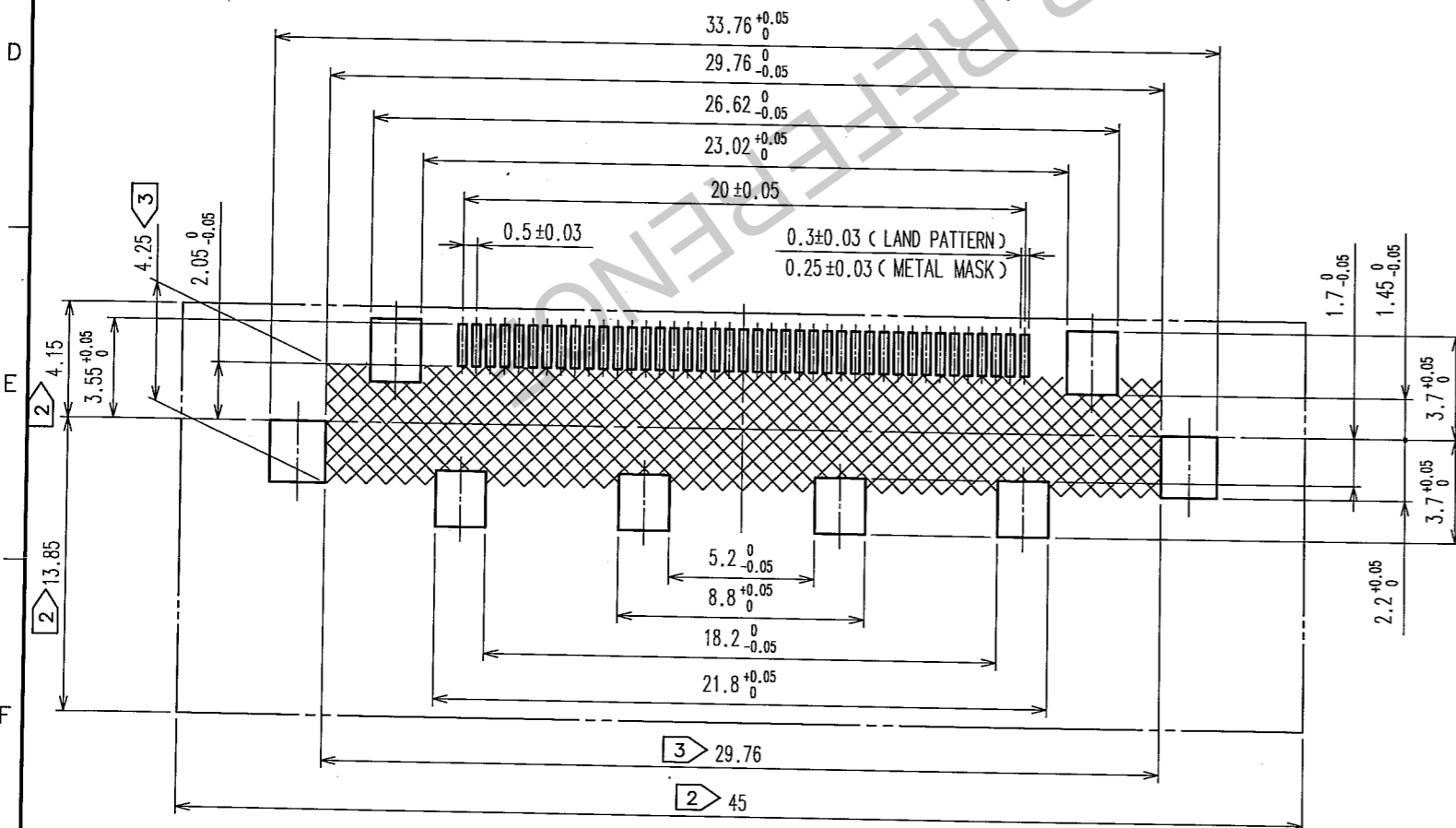
COUNT	DESCRIPTION OF REVISIONS	BY	CHKD	DATE	COUNT	DESCRIPTION OF REVISIONS	BY	CHKD	DATE
△				..	△				..
△				..	△				..
△				..	△				..



AA (10:1)



RECOMMENDED LAND PATTERN DIMENSION OF P.C.B



- NOTE 1 LEAD-COPLANARITY OF THIS PRODUCT TO BE 0.1MAX FOR SMT LEAD AND 0.15MAX FOR GROUND PLATE LEAD.
 2 DO NOT MOUNT OTHER DEVICES ONTO [] AREA, OR MATINGPAIR CANNOT BE MATED AND OPERATED THE LOCK PARTS.
 3 [] AREA OF INNER SMT LAND REQUIRES PATTERN PROHIBITION OR RESIST TREATMENT TO PREVENT THE PATTERN TOUCHING TO THE CONTACTS.
 4 [] AREA IS VACUUM PICKUP AREA FOR REFERENCE.
 5 THE DIMENSION IS THE CENTER OF VACUUM PICKUP AREA.
 6 THE DIMENSIONS IN PARENTHESES ARE FOR REFERENCE.
 7 PACKAGING FOR THIS PRODUCT APPLIES EMBOSSED CARRIER TAPE PACKAGING. SEE SHEET 2/2 FOR DETAILS.

3	NICKEL SILVER		2	PHOSPHOR BRONZE	CONTACT AREA:GOLD 0.1μ m min LEAD AREA:TIN-PLATING 1μ m min UNDER PLATING:NICKEL 0.5μ m min
1	PA	BLACK UL94V-0			
NO.	MATERIAL	FINISH, REMARKS	NO.	MATERIAL	FINISH, REMARKS
CODE NO. (OLD) CL			DRAWN	DESIGNED	CHECKED
			K.SHIBUYA	K.Shibuya	H.Yamaguchi
			05.08.04	05.08.04	05.08.05
				H.Kawa	
				05.08.05	
DRAWING NO. EDC3-155937			PART NO. FX15S-41S-0.5SH		
SCALE 4 : 1			CODE NO. CL575-2307-8		
UNITS mm			1/2		

TO

COUNT	DESCRIPTION OF REVISIONS	BY	CHKD	DATE	COUNT	DESCRIPTION OF REVISIONS	BY	CHKD	DATE

A

B

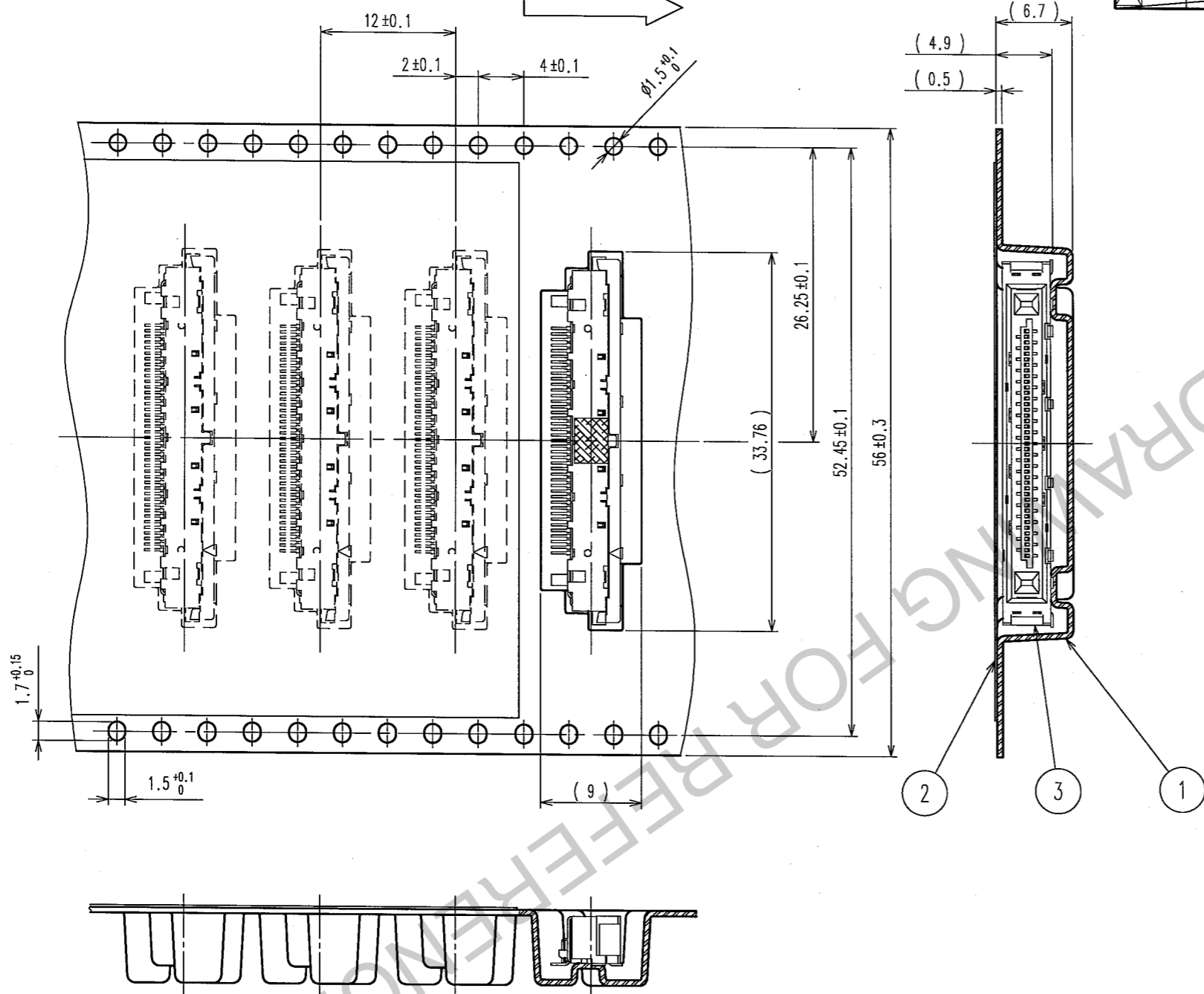
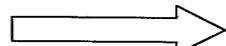
C

D

E

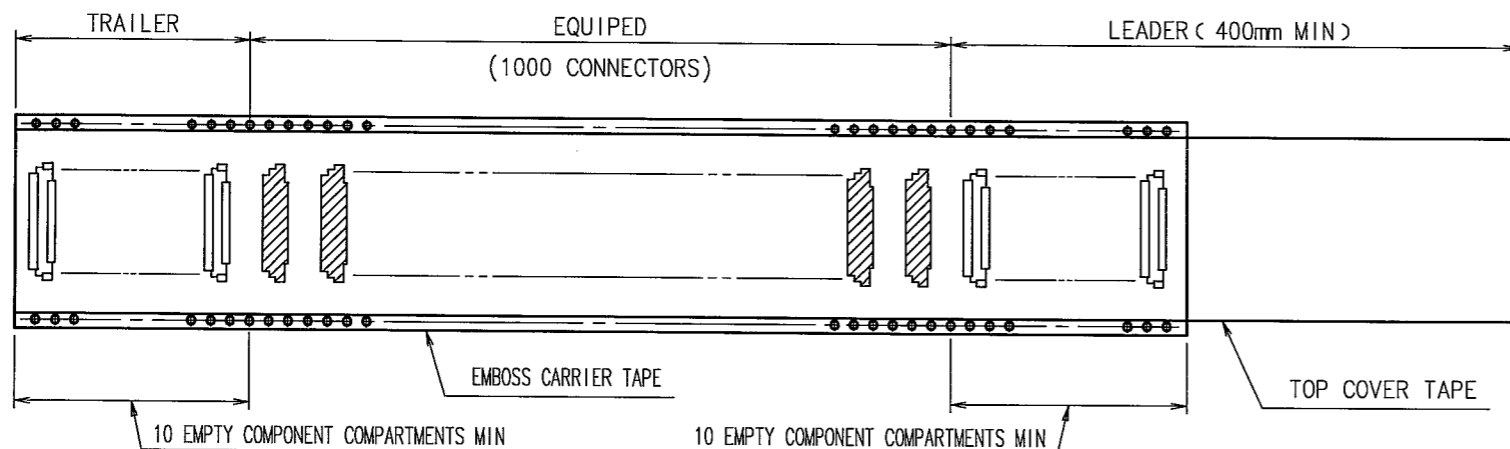
F

THE DIRECTION OF PULLING OUT



REELED DIMENSION (FREE)

NOTE 1. 1 REEL : 1000 CONNECTORS.



1	PS	EMBOSS CARRIER TAPE	3	CONNECTOR
2	POLYESTER	TOP COVER TAPE	2	POLYESTER
NO.	MATERIAL	FINISH, REMARKS	NO.	MATERIAL
CODE NO. (OLD)		DRAWN	DESIGNED	CHECKED
CL		K.SHIBUYA	K.Shibuya	H.Yamaguchi
		05.08.04	05.08.04	05.08.05
			H.Okawa	
			05.08.05	
DRAWING NO.		PART NO.		RELEASED
EDC3-155937		FX15S-41S-0.5SH		
SCALE		CODE NO.		2
2 : 1		CL575-2307-8		
UNITS		HIROSE ELECTRIC CO., LTD		
mm				

TO