



Chipsmall Limited consists of a professional team with an average of over 10 year of expertise in the distribution of electronic components. Based in Hongkong, we have already established firm and mutual-benefit business relationships with customers from,Europe,America and south Asia,supplying obsolete and hard-to-find components to meet their specific needs.

With the principle of “Quality Parts,Customers Priority,Honest Operation,and Considerate Service”,our business mainly focus on the distribution of electronic components. Line cards we deal with include Microchip,ALPS,ROHM,Xilinx,Pulse,ON,Everlight and Freescale. Main products comprise IC,Modules,Potentiometer,IC Socket,Relay,Connector.Our parts cover such applications as commercial,industrial, and automotives areas.

We are looking forward to setting up business relationship with you and hope to provide you with the best service and solution. Let us make a better world for our industry!



Contact us

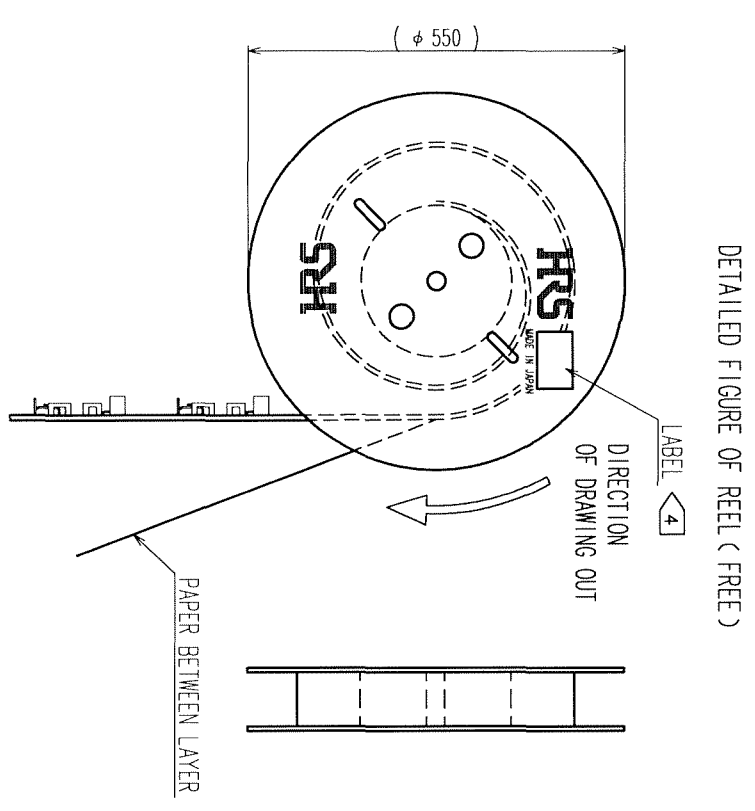
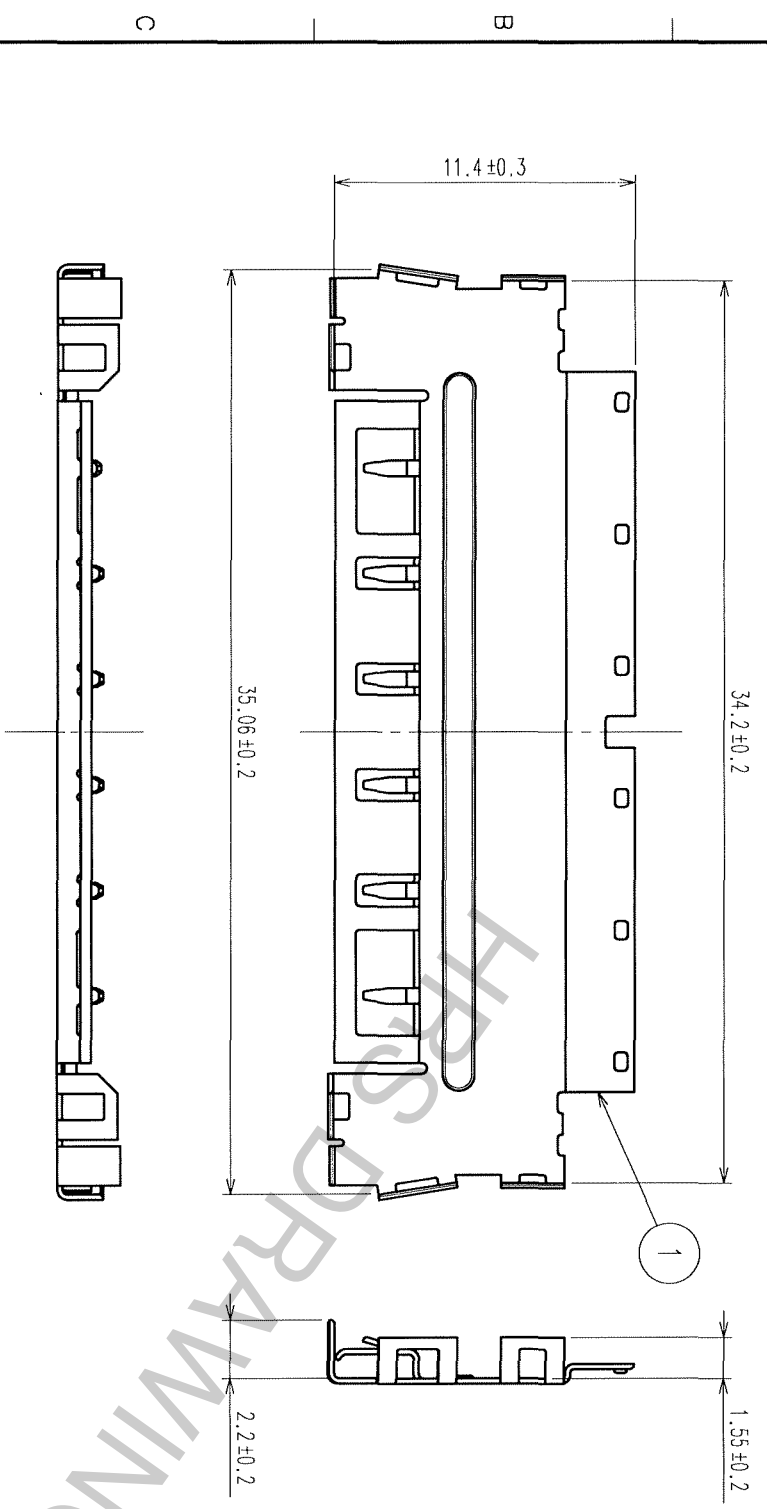
Tel: +86-755-8981 8866 Fax: +86-755-8427 6832

Email & Skype: info@chipsmall.com Web: www.chipsmall.com

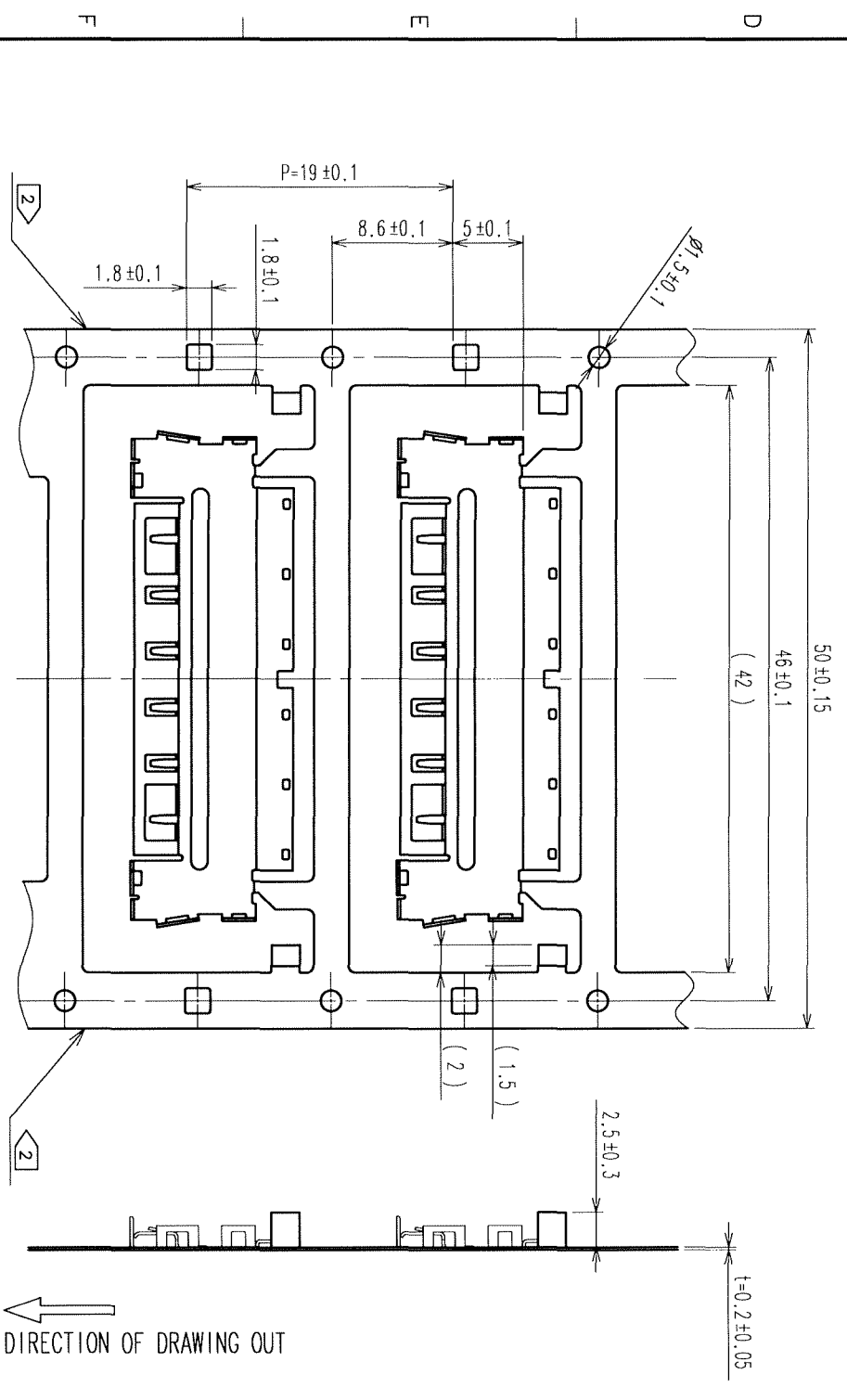
Address: A1208, Overseas Decoration Building, #122 Zhenhua RD., Futian, Shenzhen, China



COUNT	DESCRIPTION OF REVISIONS	BY	CHKD	DATE	COUNT	DESCRIPTION OF REVISIONS	BY	CHKD	DATE



DETAILED FIGURE OF CARRIER (2 : 1)



NOTE 1. Manufacturing process could leave scratch and/or punch marks having no affect on the product performance.

- 2. Side cut can be provided to prevent carrier curve.
- 3. 2500 pieces per reel
- 4. Label as shown below is indicated.

CODE No.	CL575-2119-8	INSPECTION	検査
品名コード	CL575-2119-8		
PART NO.	FX15S-51P-GND(A)		
品名	FX15S-51P-GND(A)		
数量	2,500 PCS		
PECULIAR	NPO.3		
仕様			
Lot No			
SPLICE			
継ぎ目			

5. Dimensions in () are for reference.
6. This is a component for separately available product; FX15S-51P-0.5FC.
Make sure to use with the specified combination.

NO.	MATERIAL	FINISH, REMARKS	NO.	MATERIAL	FINISH, REMARKS
1	CL		1	STAINLESS	NICKEL 0.3μm min
CODE NO. (OLD)	DRAWN		DESIGNED	CHECKED	APPROVED
CL	K. SHIBUYA		K. Shibuya	H. Yamaguchi	H. Okawa
SCALE	DRAWING NO.	PART NO.	DATE	DATE	DATE
FREE	EDC3-156691	FX15S-51P-GND(A)	08.01.29	08.01.29	08.01.30
UNITS	HIROSE ELECTRIC CO., LTD	CODE NO.			
MM		CL575-2119-8			

TO