



Chipsmall Limited consists of a professional team with an average of over 10 year of expertise in the distribution of electronic components. Based in Hongkong, we have already established firm and mutual-benefit business relationships with customers from,Europe,America and south Asia,supplying obsolete and hard-to-find components to meet their specific needs.

With the principle of "Quality Parts,Customers Priority,Honest Operation,and Considerate Service",our business mainly focus on the distribution of electronic components. Line cards we deal with include Microchip,ALPS,ROHM,Xilinx,Pulse,ON,Everlight and Freescale. Main products comprise IC,Modules,Potentiometer,IC Socket,Relay,Connector.Our parts cover such applications as commercial,industrial, and automotives areas.

We are looking forward to setting up business relationship with you and hope to provide you with the best service and solution. Let us make a better world for our industry!



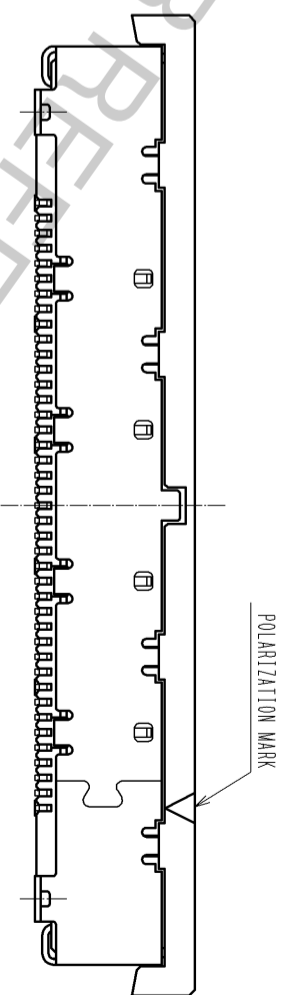
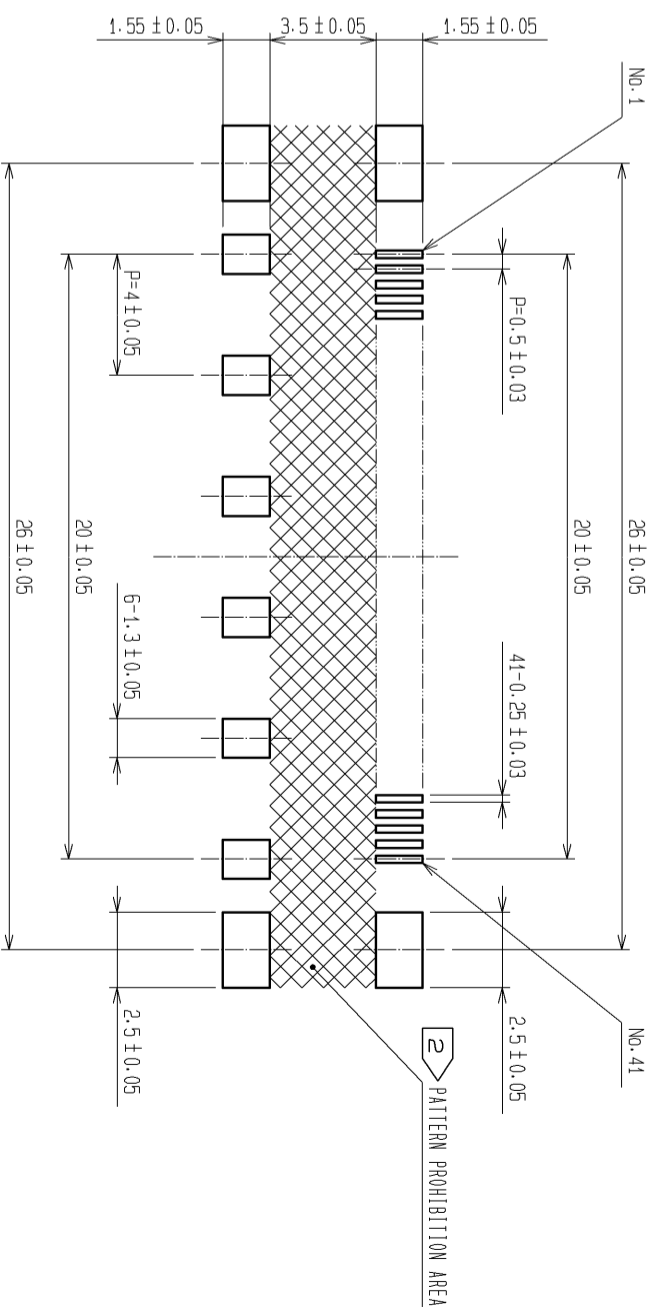
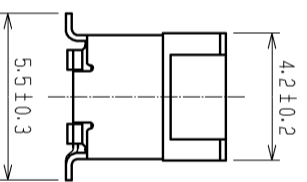
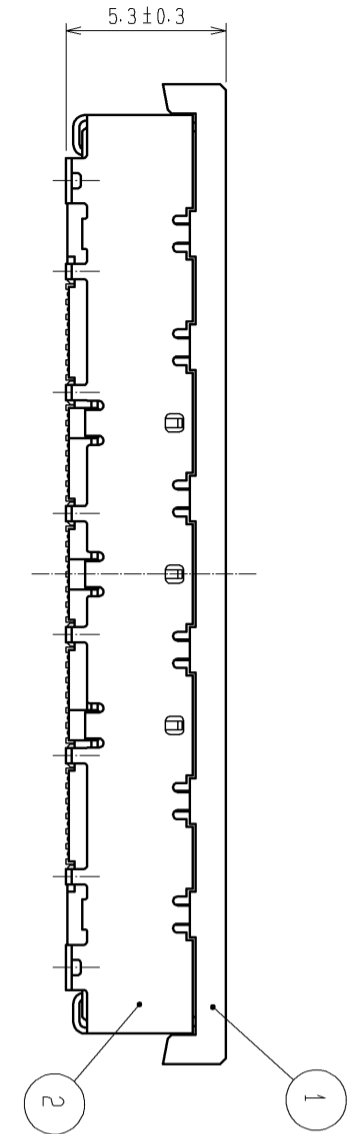
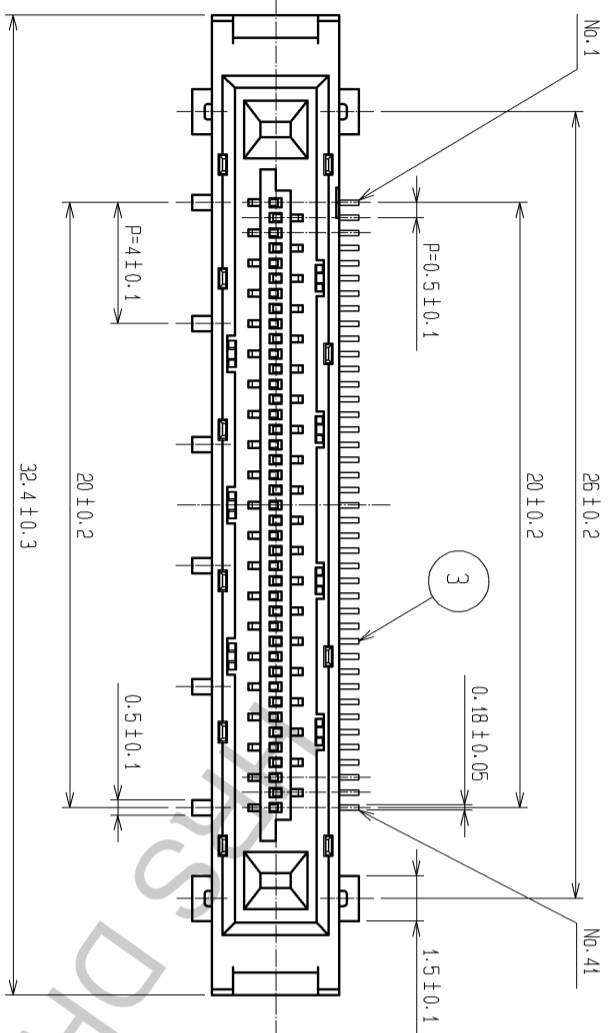
## Contact us

Tel: +86-755-8981 8866 Fax: +86-755-8427 6832

Email & Skype: info@chipsmall.com Web: www.chipsmall.com

Address: A1208, Overseas Decoration Building, #122 Zhenhua RD., Futian, Shenzhen, China





RECOMMENDED LAND PATTERN DIMENSION

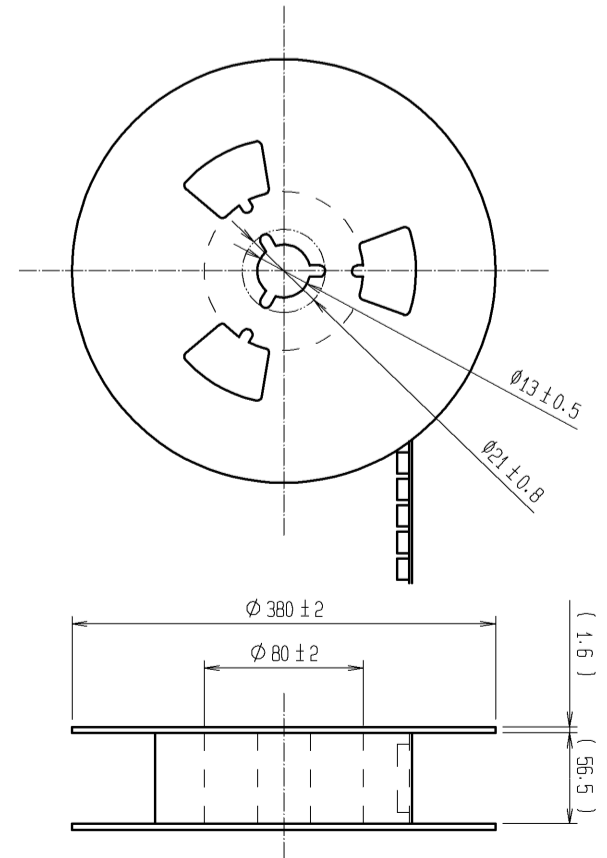
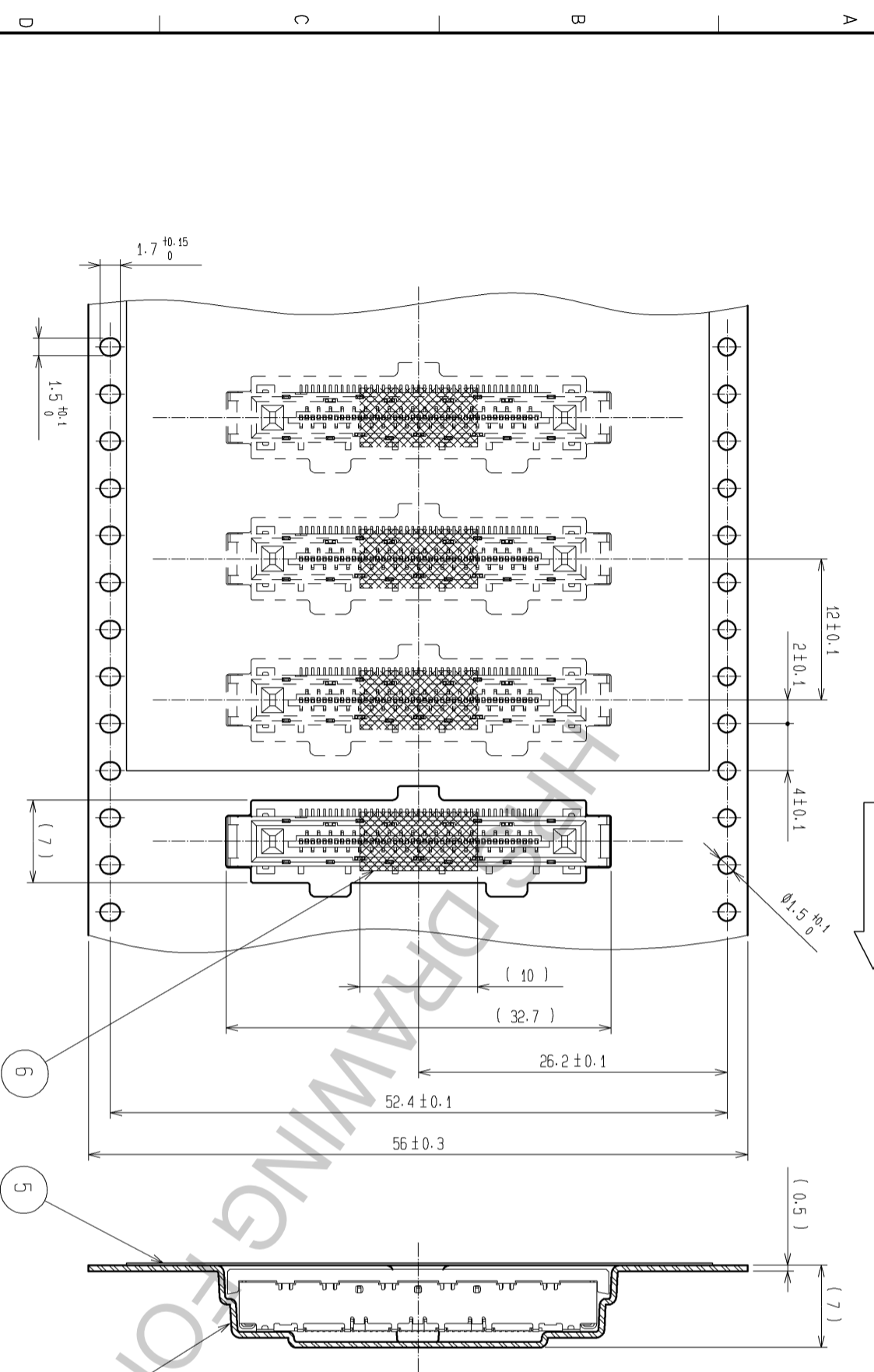
- NOTE
- 1 LEAD CO-PLANARITY OF THIS PRODUCT TO BE 0.1MAX.
  - 2 AREA OF INNER SMT LAND REQUIRES PATTERN PROHIBITION OR RESIST TREATMENT TO PREVENT THE PATTERN TOUCHING TO THE CONTACTS.
  - 3 PACKAGING FOR THIS PRODUCT APPLIES EMBOSSED CARRIER TAPE PACKAGING. SEE SHEET 2/2 FOR DETAILS.
  - 4 FINE SCRATCHES COULD BE FOUND ON THE SURFACE OF REF. GROUND PLATE, WHICH DOES NOT AFFECT THE PERFORMANCE.

3	COPPER ALLOY	CONTACT AREA: 600 O. 1μm min.	6	PI	(TAPE FOR VACUUM PICKUP)
2	STAINLESS STEEL	LEAD AREA: TIN PLATING 1μm min.	5	PE	(COVER TAPE)
1	PA	UNDER PLATING: NICKEL 0.5μm min.	4	PS	(EMBOSSED CARRIER TAPE)
MATERIAL		FINISH . REMARKS	MATERIAL		FINISH . REMARKS
UNITS	SCALE	COUNT	DESCRIPTION OF REVISIONS	DESIGNED	CHECKED
mm	4 : 1				

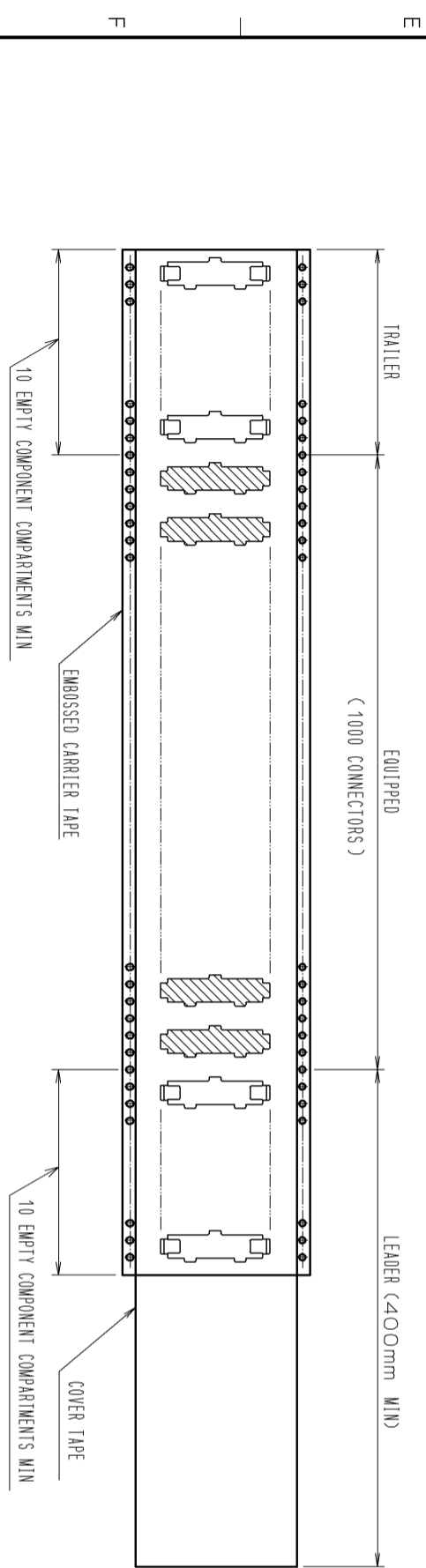
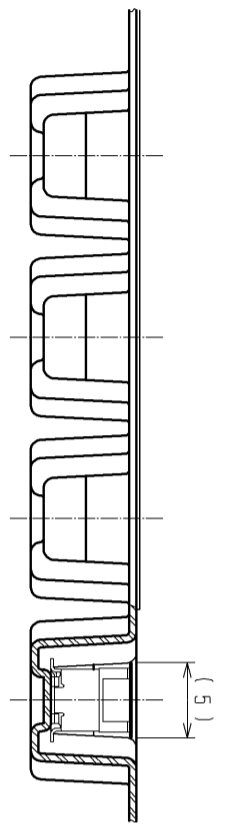
<b>HRS</b>		HIROSE ELECTRIC CO., LTD.		DRAWING NO.	
APPROVED	: HS. OKAWA	08.05.07	EDC3-156992-00		
CHECKED	: HT. YAMAGUCHI	08.05.07	FX15SC-41S-0.5SV		
DESIGNED	: KN. SHIBUYA	08.05.07			
DRAWN	: AH. EDASHIGE	08.05.07	CL575-2205-8-00		

SPECIFICATION DRAWING OF PACKING (2 : 1)

THE DIRECTION OF PULLING OUT



RELEED DIMENSION (FREE)



FORM HC0011-5-8

<b>HRS</b>	
DRAWING NO.	EDC3-156992-00
PART NO.	FX15SC-41S-0.5SV
CODE NO.	CL575-2205-8-00
	2