



Chipsmall Limited consists of a professional team with an average of over 10 year of expertise in the distribution of electronic components. Based in Hongkong, we have already established firm and mutual-benefit business relationships with customers from,Europe,America and south Asia,supplying obsolete and hard-to-find components to meet their specific needs.

With the principle of “Quality Parts,Customers Priority,Honest Operation,and Considerate Service”,our business mainly focus on the distribution of electronic components. Line cards we deal with include Microchip,ALPS,ROHM,Xilinx,Pulse,ON,Everlight and Freescale. Main products comprise IC,Modules,Potentiometer,IC Socket,Relay,Connector.Our parts cover such applications as commercial,industrial, and automotives areas.

We are looking forward to setting up business relationship with you and hope to provide you with the best service and solution. Let us make a better world for our industry!



## Contact us

Tel: +86-755-8981 8866 Fax: +86-755-8427 6832

Email & Skype: info@chipsmall.com Web: www.chipsmall.com

Address: A1208, Overseas Decoration Building, #122 Zhenhua RD., Futian, Shenzhen, China



COUNT	DESCRIPTION OF REVISIONS	BY	CHKD	DATE	COUNT	DESCRIPTION OF REVISIONS	BY	CHKD	DATE
△				..	△				..
△				..	△				..
△				..	△				..

A

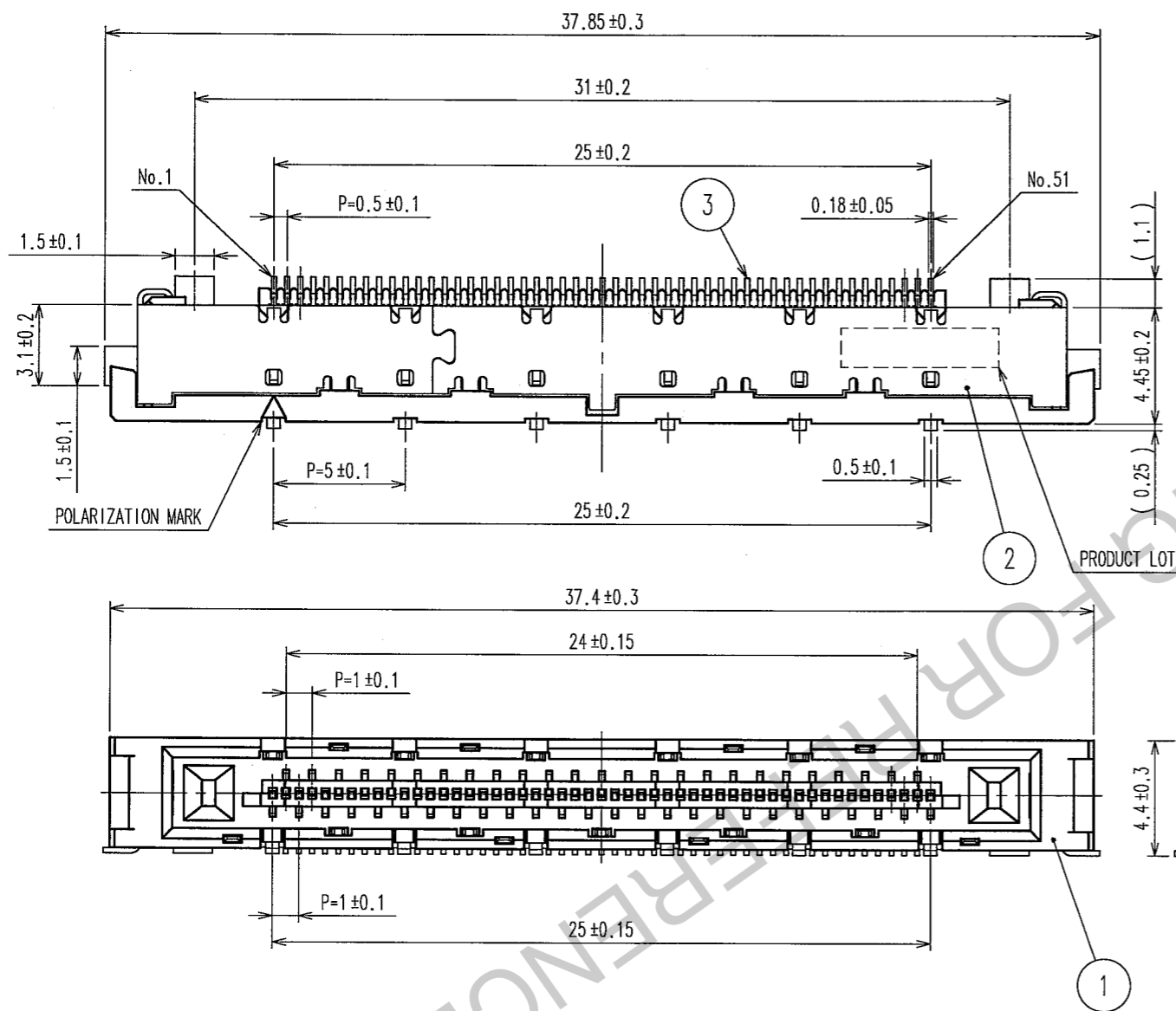
B

C

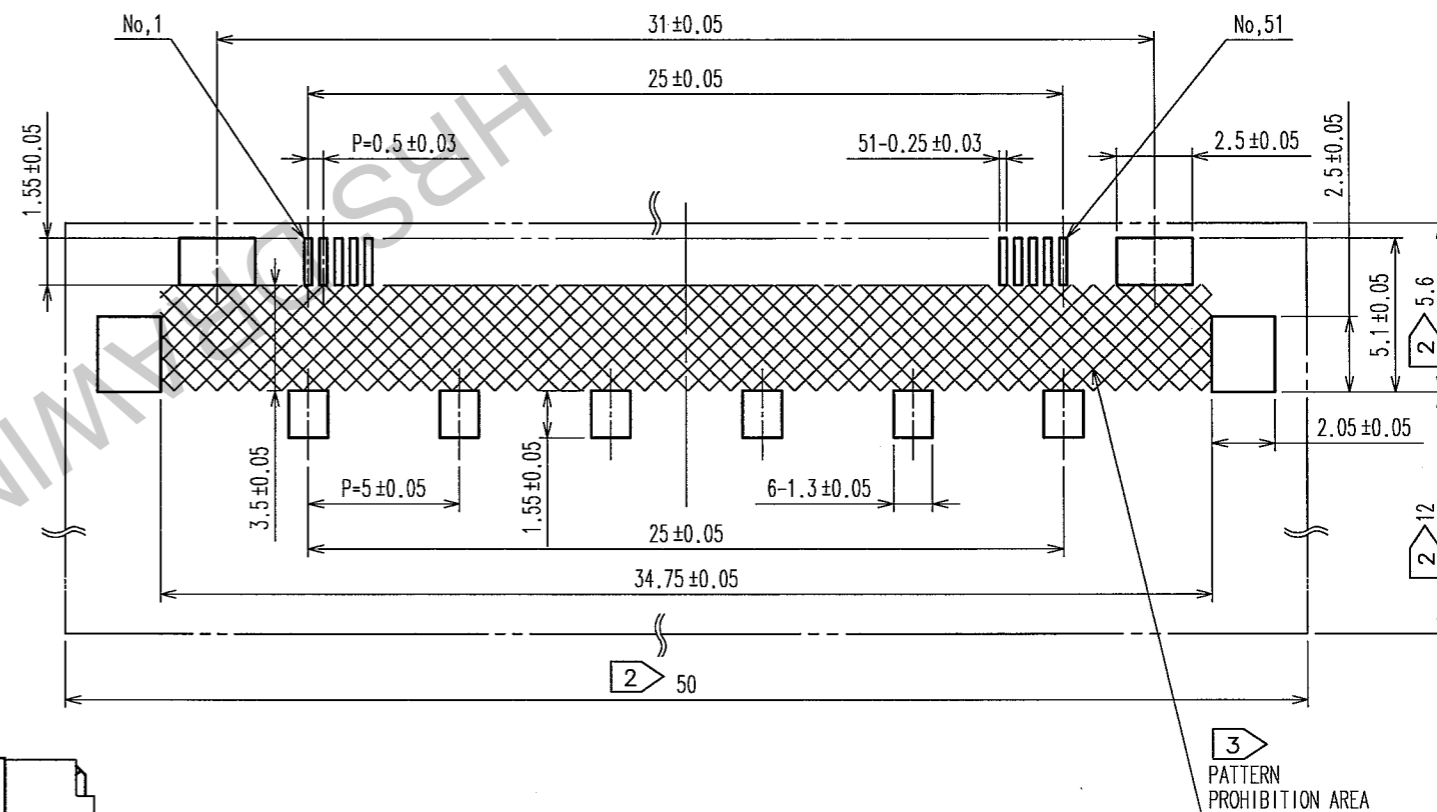
D

E

F



RECOMMENDED LAND PATTERN DIMENSION



- NOTE 1 LEAD CO-PLANARITY OF THIS PRODUCT TO BE 0.1MAX.  
 2 DO NOT MOUNT OTHER DEVICES ONTO [ ] AREA, OR MATINGPAIR CANNOT BE MATED AND OPERATED THE LOCK PARTS.  
 3 [ ] AREA OF INNER SMT LAND REQUIRES PATTERN PROHIBITION OR RESIST TREATMENT TO PREVENT THE PATTERN TOUCHING TO THE CONTACTS.  
 4 PACKAGING FOR THIS PRODUCT APPLIES EMBOSSED CARRIER TAPE PACKAGING. SEE SHEET 2/2 FOR DETAILS.  
 5 FINE SCRATCHES COULD BE FOUND ON THE SURFACE OF REF.②GROUND PLATE, WHICH DOES NOT AFFECT THE PERFORMANCE.

TO

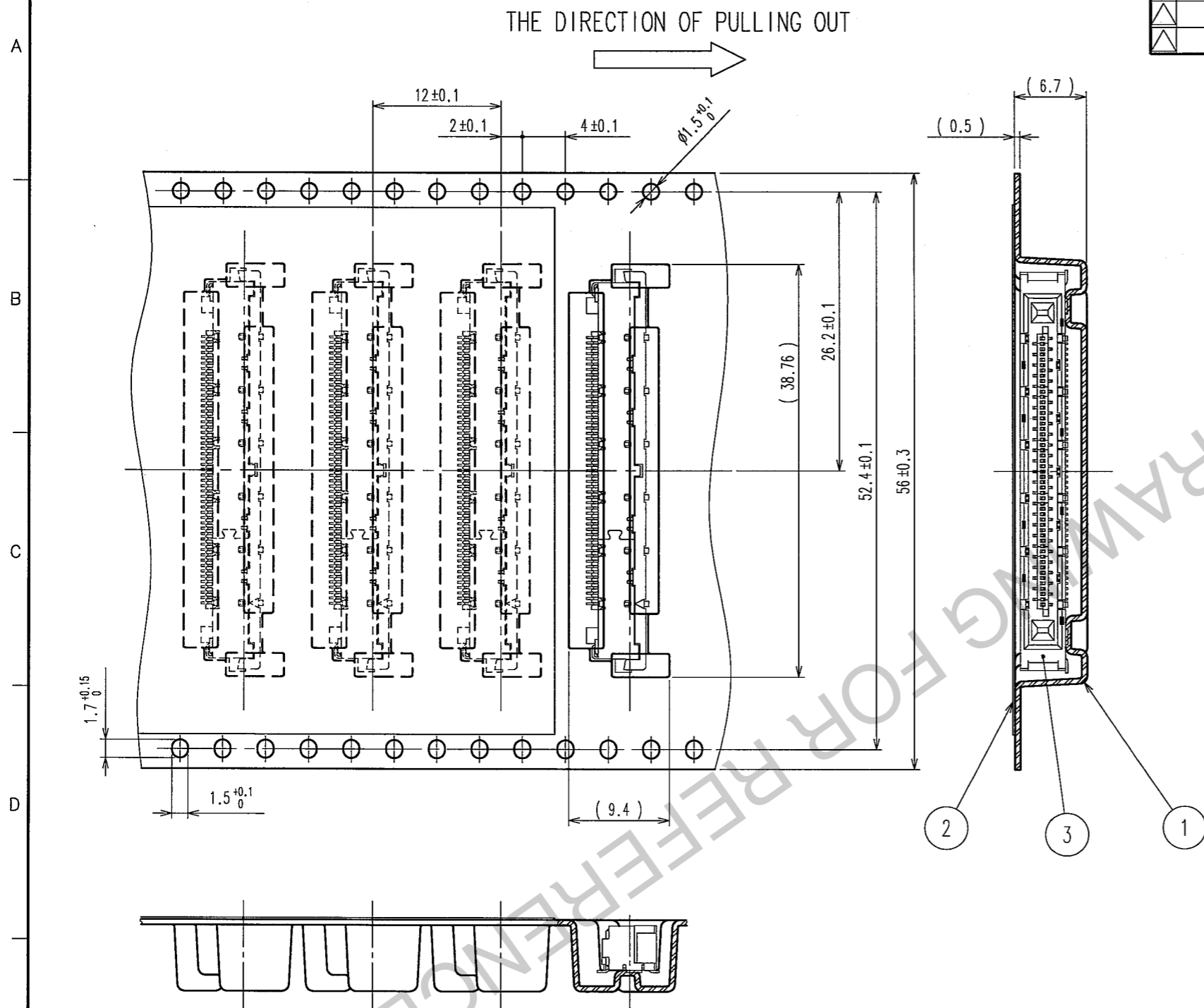
2	STAINLESS STEEL	TIN PLATING	3	COPPER ALLOY	CONTACT AREA:GOLD 0.1μ m min.
1	PA	BLACK, UL94 V-0			LEAD AREA:TIN PLATING 1μ m min.
					UNDER PLATING:NICKEL 0.5μ m min.
NO.	MATERIAL	FINISH, REMARKS	NO.	MATERIAL	FINISH, REMARKS

CODE NO. (OLD)	DRAWN	DESIGNED	CHECKED	APPROVED	RELEASED
	T. NODA '07.07.26	T. Noda '07.07.26	E. Nakatani '07.07.26	H. Okawa '07.07.26	

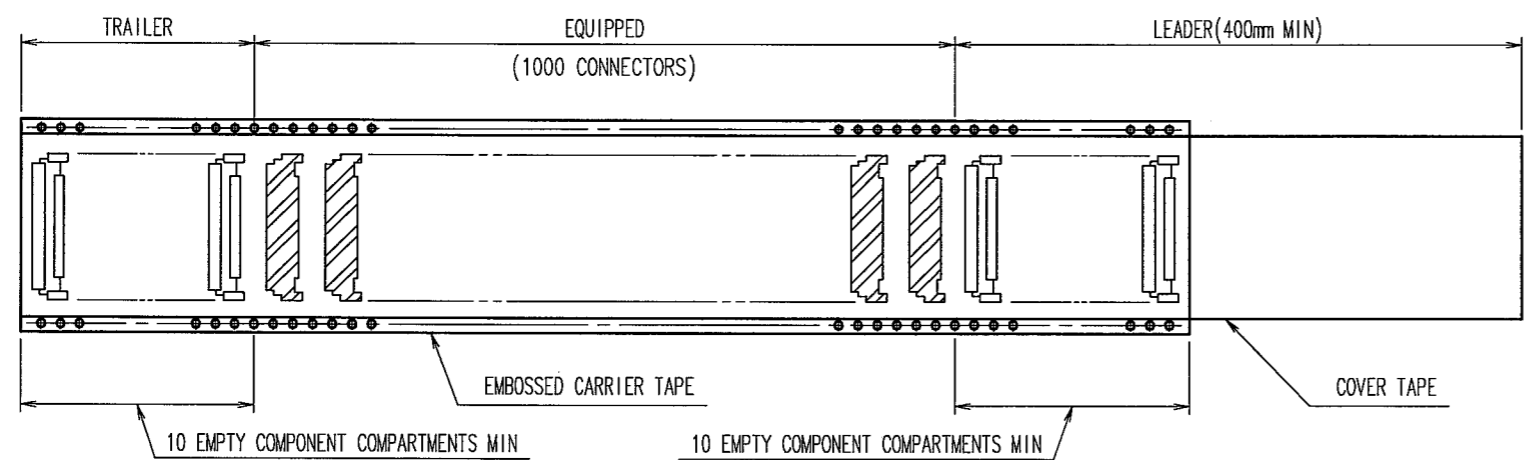
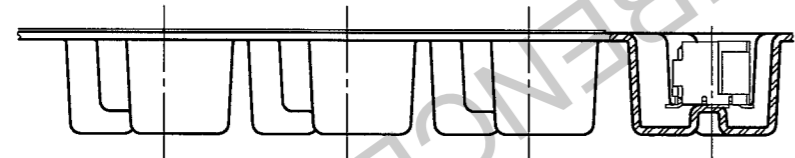
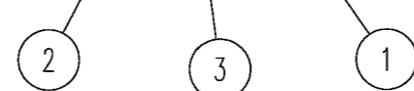
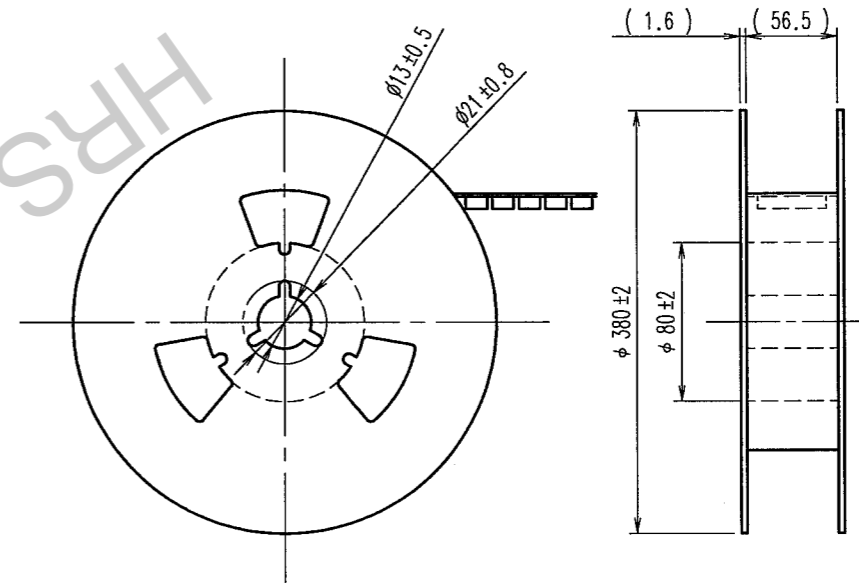
SCALE	DRAWING NO.	PART NO.
4 : 1	EDC3-156704	FX15SC-51S-0.5SH
UNITS	HIROSE ELECTRIC CO., LTD	CODE NO.
mm		CL575-2311-5



COUNT	DESCRIPTION OF REVISIONS	BY	CHKD	DATE	COUNT	DESCRIPTION OF REVISIONS	BY	CHKD	DATE
△				..	△				..
△				..	△				..
△				..	△				..



REELED DIMENSION (FREE)



3	-	(CONNECTOR)
2	PE	(COVER TAPE)
1	PS	(EMBOSSED CARRIER TAPE)

NO.	MATERIAL	FINISH, REMARKS	NO.	MATERIAL	FINISH, REMARKS
CODE NO. (OLD)			DRAWN	DESIGNED	CHECKED
			T. NODA	T. Noda	E. Wakatsuki
			'07.07.26	'07.07.26	'07.07.26
DRAWING NO. EDC3-156704			PART NO. FX15SC-51S-0.5SH		
SCALE 2 : 1			CODE NO. CL575-2311-5		
UNITS mm			HIROSE ELECTRIC CO., LTD		

TO