



Chipsmall Limited consists of a professional team with an average of over 10 year of expertise in the distribution of electronic components. Based in Hongkong, we have already established firm and mutual-benefit business relationships with customers from,Europe,America and south Asia,supplying obsolete and hard-to-find components to meet their specific needs.

With the principle of “Quality Parts,Customers Priority,Honest Operation,and Considerate Service”,our business mainly focus on the distribution of electronic components. Line cards we deal with include Microchip,ALPS,ROHM,Xilinx,Pulse,ON,Everlight and Freescale. Main products comprise IC,Modules,Potentiometer,IC Socket,Relay,Connector.Our parts cover such applications as commercial,industrial, and automotives areas.

We are looking forward to setting up business relationship with you and hope to provide you with the best service and solution. Let us make a better world for our industry!



## Contact us

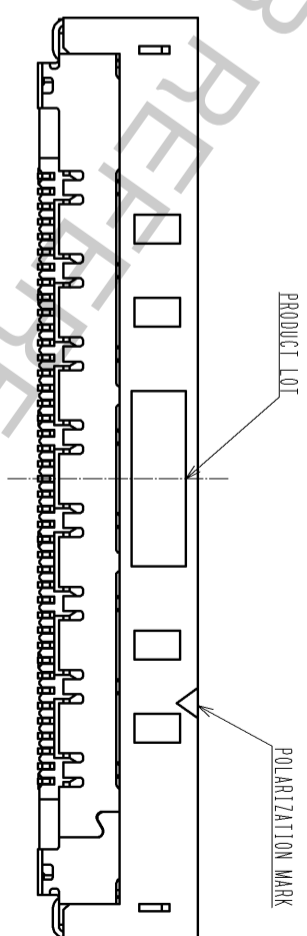
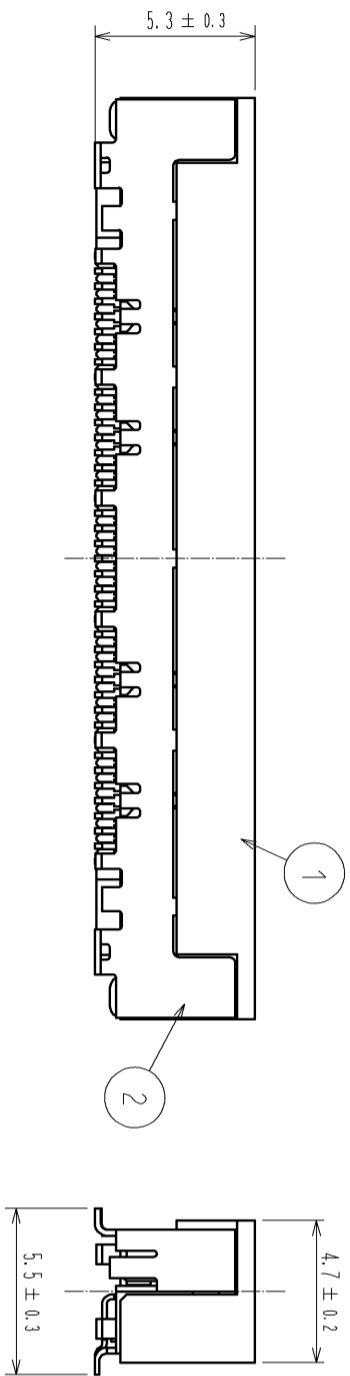
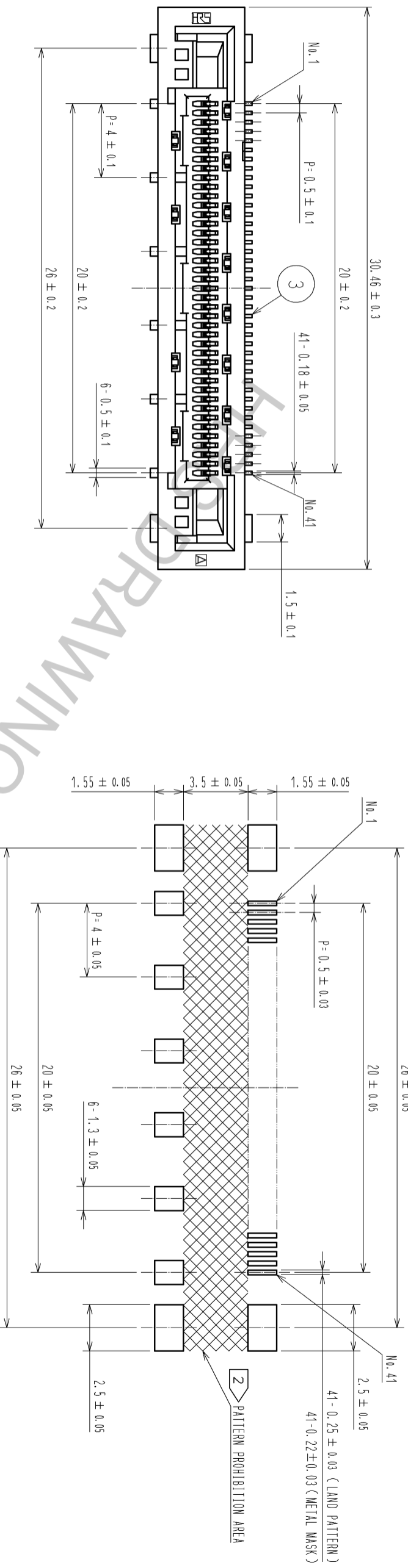
Tel: +86-755-8981 8866 Fax: +86-755-8427 6832

Email & Skype: info@chipsmall.com Web: www.chipsmall.com

Address: A1208, Overseas Decoration Building, #122 Zhenhua RD., Futian, Shenzhen, China



RECOMMENDED LAND PATTERN DIMENSION  
(METAL MASK THICKNESS: ±0.12)



- NOTE
- 1 LEAD CO-PLANARITY OF THIS PRODUCT TO BE 0.1MAX.
  - 2 AREA OF INNER SMT LAND REQUIRES PATTERN PROHIBITION OR RESIST TREATMENT TO PREVENT THE PATTERN TOUCHING TO THE CONTACTS.
  - 3 ( ) INDICATES A REFERENCE DIMENSION.
  - 4 MANUFACTURING PROCESS COULD LEAVE SCRATCH AND/OR PUNCH MARKS HAVING NO AFFECT ON THE PRODUCT PERFORMANCE.
  - 5 PACKAGING FOR THIS PRODUCT APPLIES EMBOSSED CARRIER TAPE PACKAGING. SEE SHEET 2/2 FOR DETAILS.

3	PHOSPHOR BRONZE	CONTACT AREA: GOLD 0.1 μm min. LEAD AREA: GOLD 0.03 μm min.	4	PS	EMBOSSED CARRIER TAPE
1	PA	UNDER PLATING: NICKEL 1 μm min. BLACK, UL94V-0	2	BRASS	OVER PLATING: TIN PLATING 1 μm min. UNDER PLATING: NICKEL 2 μm min.
NO. MATERIAL		FINISH . REMARKS		NO. MATERIAL FINISH . REMARKS	

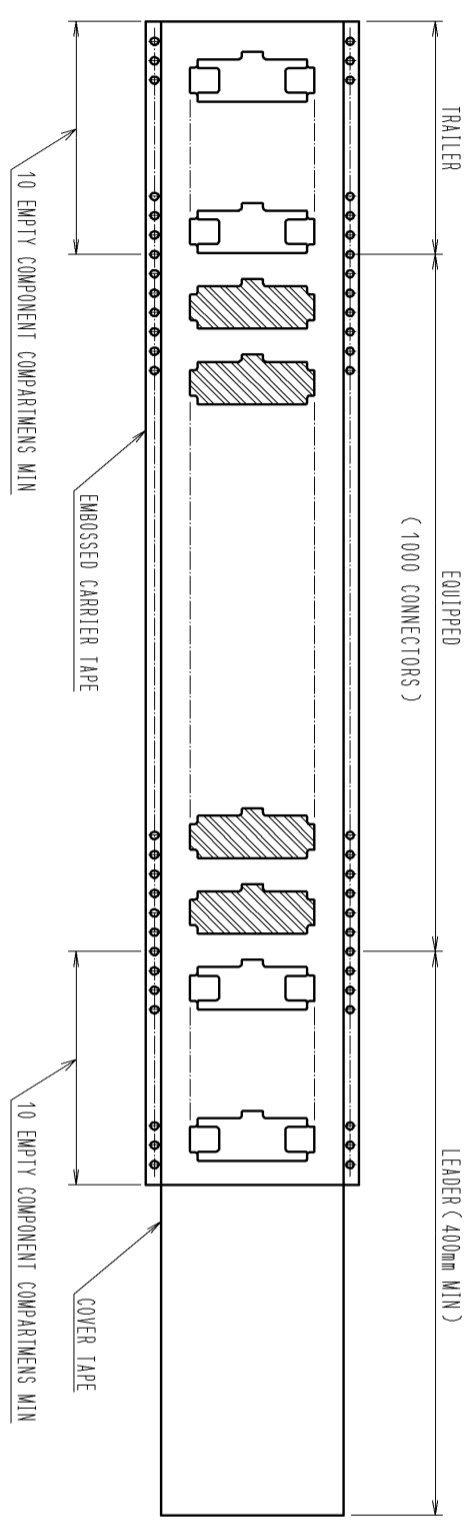
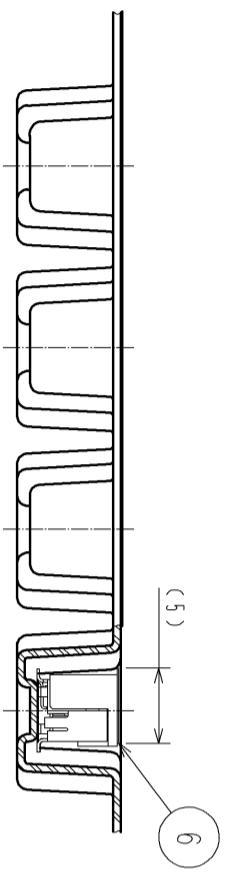
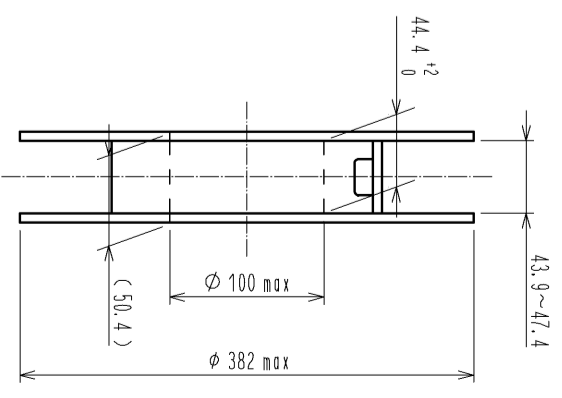
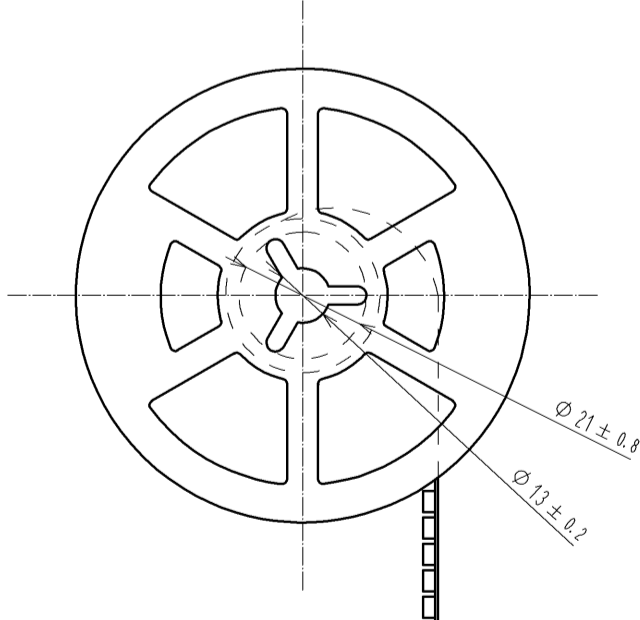
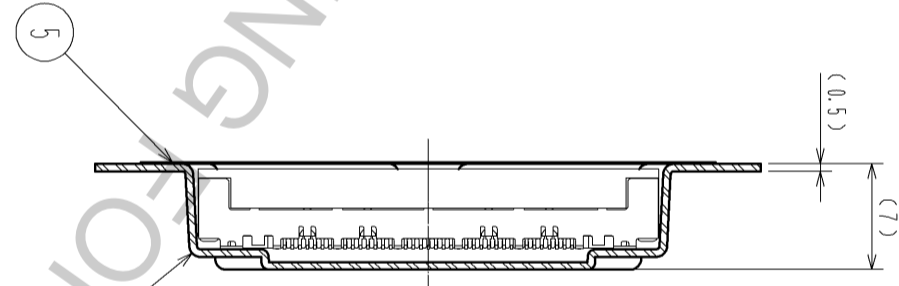
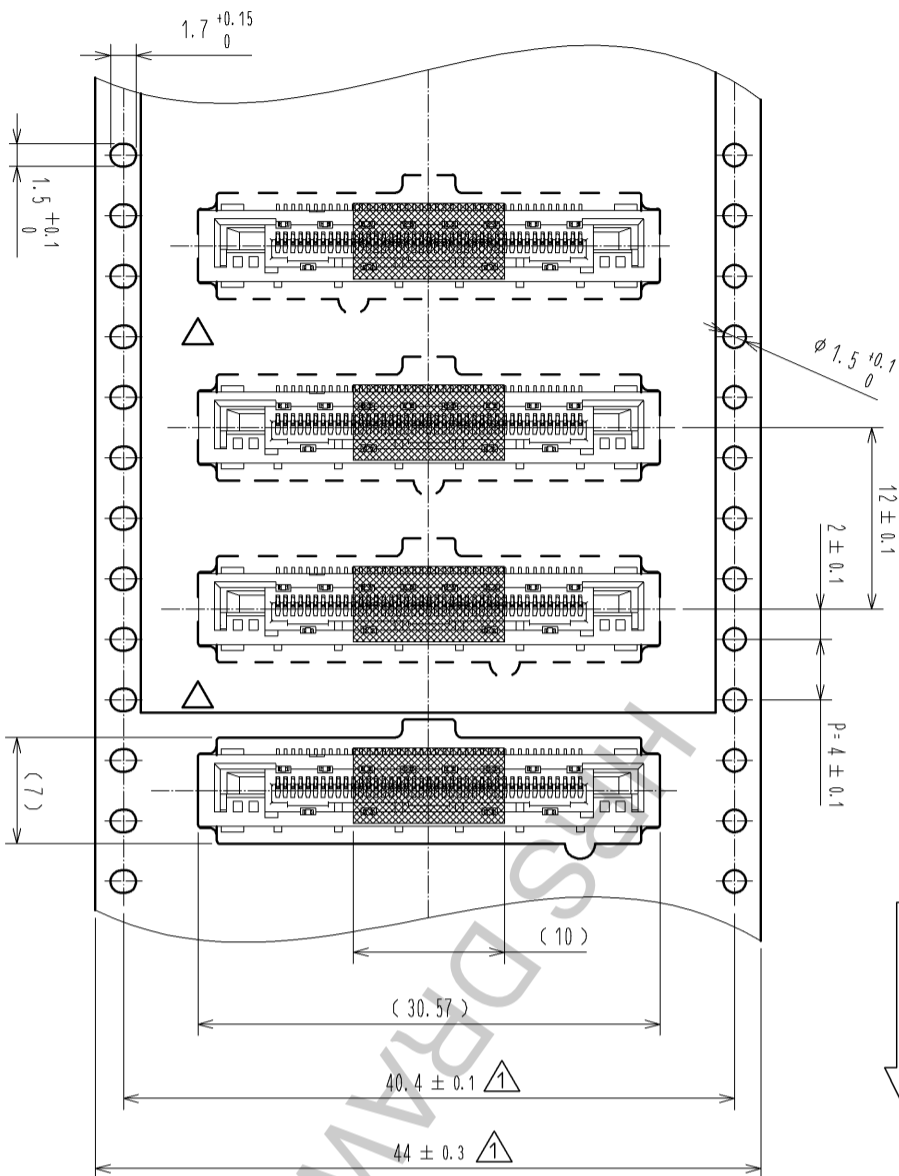
UNITS	SCALE	COUNT	DESCRIPTION OF REVISIONS	DESIGNED	CHECKED	DATE
mm	4 : 1	2	DIS-F-005350	KN. SHIBUYA	HT. YAMAGUCHI	11. 03. 08

<b>HRS</b>		HIROSE ELECTRIC CO., LTD.		APPROVED : HS. OKAWA		DRAWING NO. EDC3-330389-00	
				CHECKED : HT. YAMAGUCHI		PART NO. FX16M2-41S-0.5SV	
				DESIGNED : TP. MATSUMOTO		CODE NO. CL575-3002-6-00	
				DRAWN : TP. MATSUMOTO		DATE 11. 03. 08	

DRAWING FOR PACKING (2:1)

REFLED DIMENSION (FREE)

THE DIRECTION OF PULLING OUT



FORM HC0011-5-8

<b>HRS</b>	DRAWING NO.	EDC3-330389-00
	PART NO.	FX16M2-41S-0.5SV
	CODE	CL575-3002-6-00
	NO.	

2/2