



Chipsmall Limited consists of a professional team with an average of over 10 year of expertise in the distribution of electronic components. Based in Hongkong, we have already established firm and mutual-benefit business relationships with customers from,Europe,America and south Asia,supplying obsolete and hard-to-find components to meet their specific needs.

With the principle of “Quality Parts,Customers Priority,Honest Operation,and Considerate Service”,our business mainly focus on the distribution of electronic components. Line cards we deal with include Microchip,ALPS,ROHM,Xilinx,Pulse,ON,Everlight and Freescale. Main products comprise IC,Modules,Potentiometer,IC Socket,Relay,Connector.Our parts cover such applications as commercial,industrial, and automotives areas.

We are looking forward to setting up business relationship with you and hope to provide you with the best service and solution. Let us make a better world for our industry!



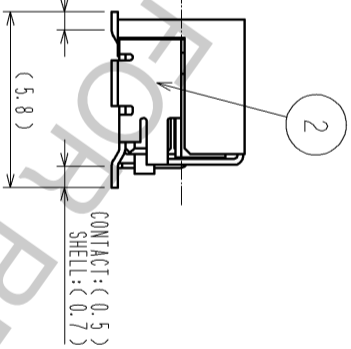
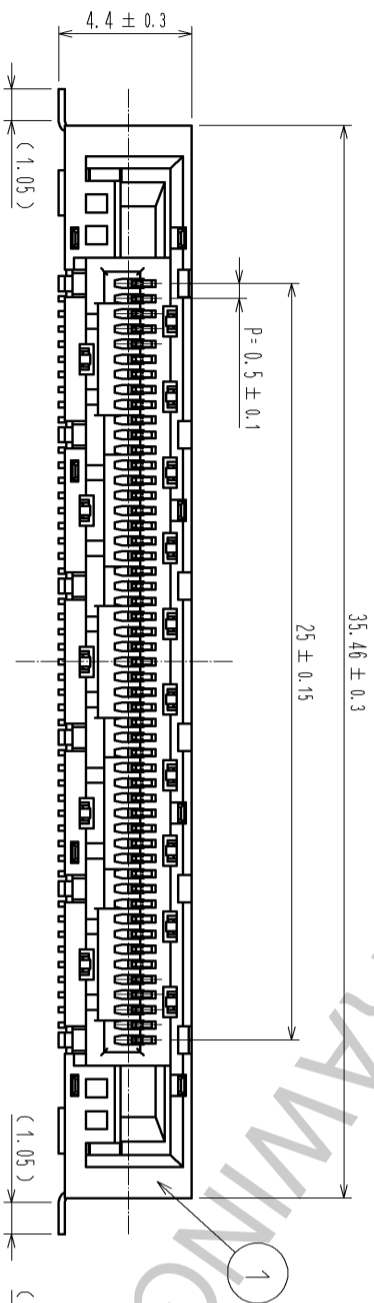
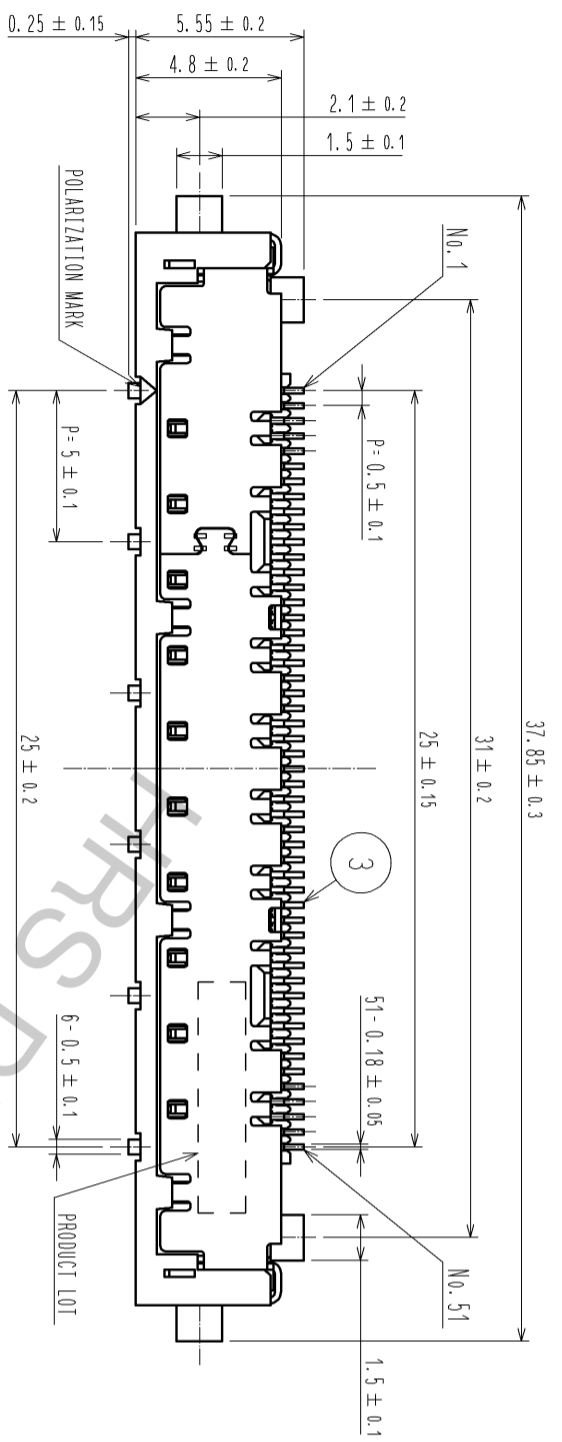
Contact us

Tel: +86-755-8981 8866 Fax: +86-755-8427 6832

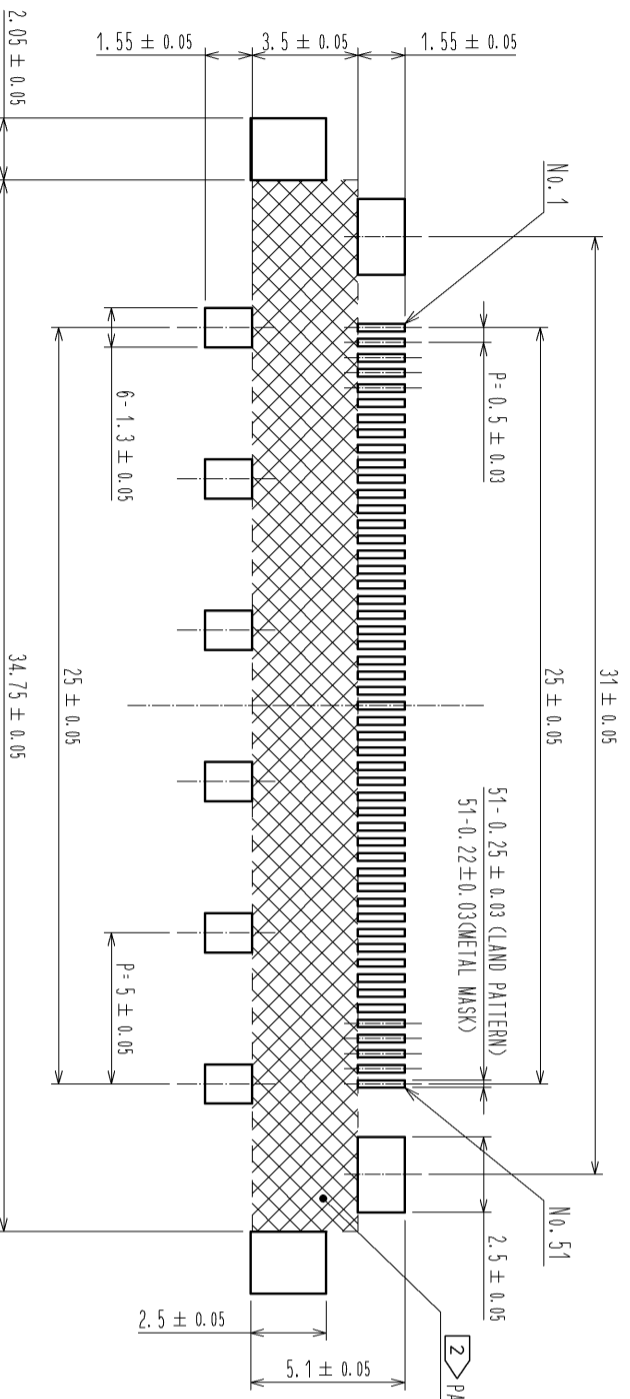
Email & Skype: info@chipsmall.com Web: www.chipsmall.com

Address: A1208, Overseas Decoration Building, #122 Zhenhua RD., Futian, Shenzhen, China





RECOMMENDED LAND PATTERN DIMENSION
(METAL MASK THICKNESS: t=0.12)



- NOTE 1 LEAD CO-PLANARITY OF THIS PRODUCT TO BE 0.1MAX.
 2 AREA OF INNER SMT LAND REQUIRES PATTERN PROHIBITION OR RESIST TREATMENT TO PREVENT THE PATTERN TOUCHING TO THE CONTACTS.
 3 () INDICATES A REFERENCE DIMENSION.
 4 MANUFACTURING PROCESS COULD LEAVE SCRATCH AND/OR PUNCH MARKS HAVING NO AFFECT ON THE PRODUCT PERFORMANCE.
 5 PACKAGING FOR THIS PRODUCT APPLIES EMBOSSED CARRIER TAPE PACKAGING.

2 PATTERN PROHIBITION AREA

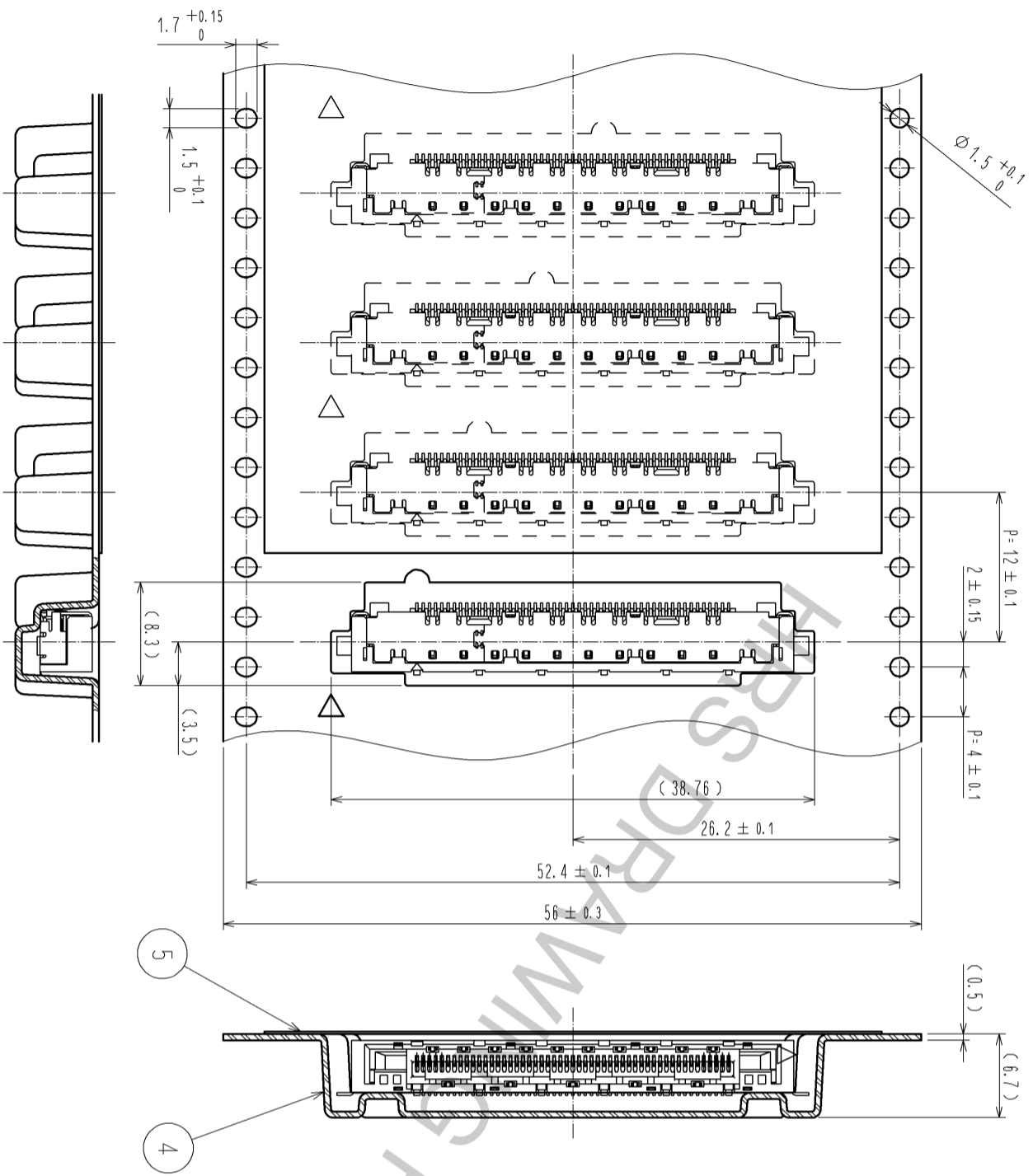
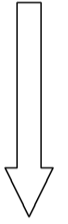
NO.	MATERIAL	FINISH . REMARKS	NO.	MATERIAL	FINISH . REMARKS
2	BRASS	OVER PLATING: TIN PLATING 1μm min UNDER PLATING: NICKEL 2μm min	3	PHOSPHOR BRONZE	LEAD AREA: GOLD 0.03μm min UNDER PLATING: NICKEL 1μm min
1	PA	BLACK, UL94V-0	4	PS	EMBOSSED CARRIER TAPE
5	PE	(COVER TAPE)	5	PE	(COVER TAPE)

UNITS	SCALE	COUNT	DESCRIPTION OF REVISIONS	DESIGNED	CHECKED	DATE
mm	5 : 1	1	DIS-F-006350	CR. TAKESHIMA	HT. YAMAGUCHI	12.08.24

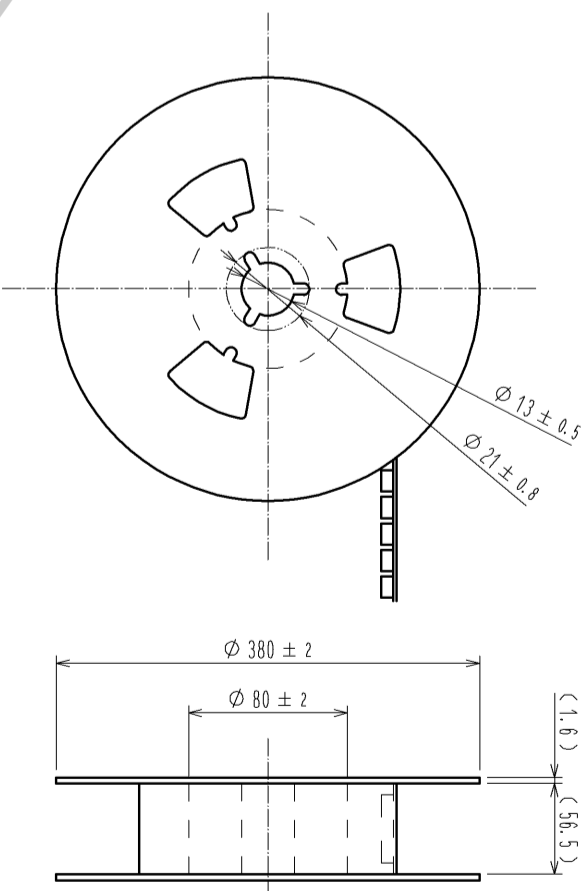
APPROVED	CHECKED	DESIGNED	DRAWING	PART	CODE
HT. OKAWA	HT. YAMAGUCHI	YJ. ASAO	EDC3-330633-01	FX16M2-51S-0.5SH(30)	CL575-3004-1-30

DRAWING FOR PACKING (2:1)

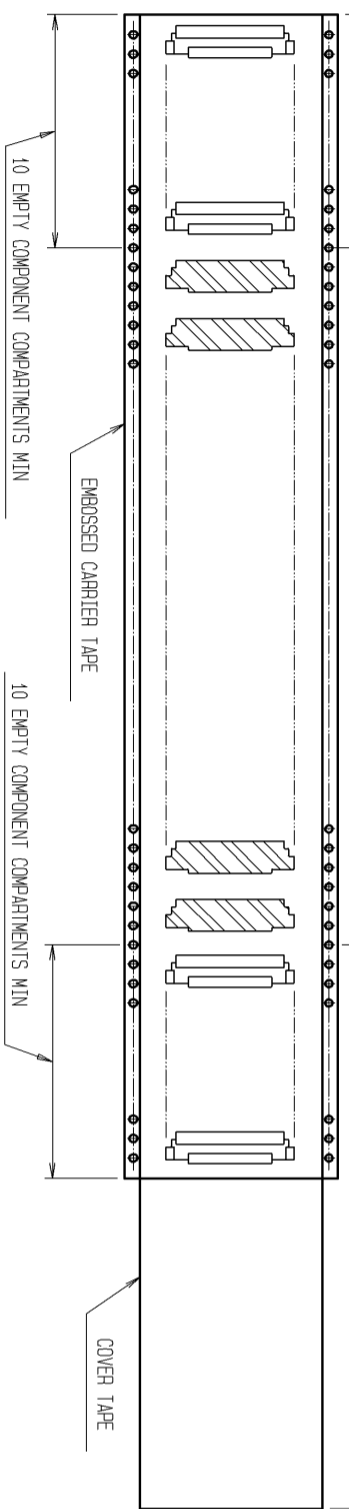
THE DIRECTION OF PULLING OUT



REELED DIMENSION (FREE)



TRAILER
EQUIPPED
(100 CONNECTORS)
LEADER (400mm MIN)



FORM HC0011-5-8

HRS	DRAWING NO.	EDC3-330633-01
	PART NO.	FX16M2-51S-0.5SH(30)
	CODE NO.	CL575-3004-1-30