



Chipsmall Limited consists of a professional team with an average of over 10 year of expertise in the distribution of electronic components. Based in Hongkong, we have already established firm and mutual-benefit business relationships with customers from,Europe,America and south Asia,supplying obsolete and hard-to-find components to meet their specific needs.

With the principle of “Quality Parts,Customers Priority,Honest Operation,and Considerate Service”,our business mainly focus on the distribution of electronic components. Line cards we deal with include Microchip,ALPS,ROHM,Xilinx,Pulse,ON,Everlight and Freescale. Main products comprise IC,Modules,Potentiometer,IC Socket,Relay,Connector.Our parts cover such applications as commercial,industrial, and automotives areas.

We are looking forward to setting up business relationship with you and hope to provide you with the best service and solution. Let us make a better world for our industry!



Contact us

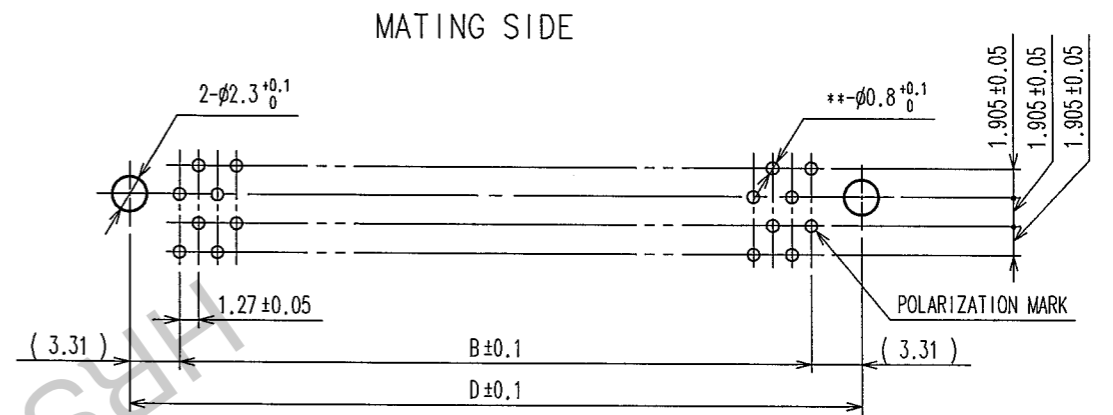
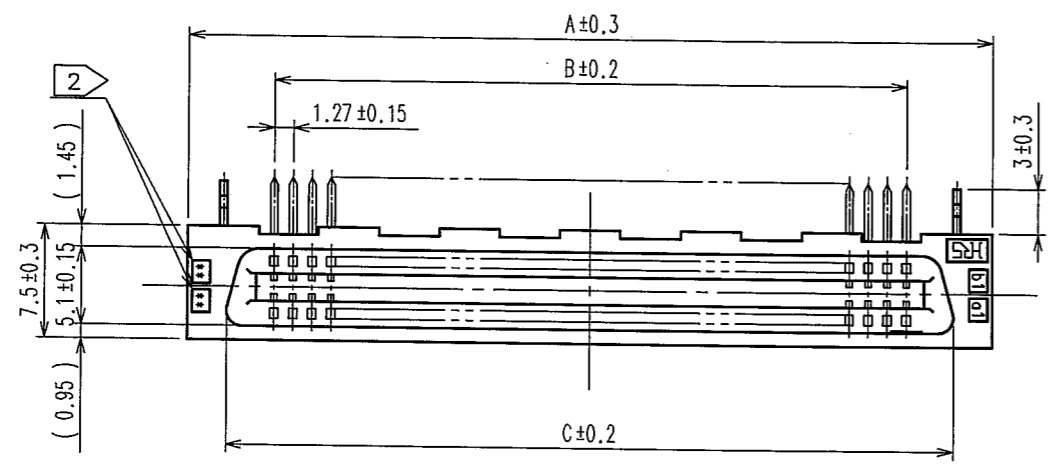
Tel: +86-755-8981 8866 Fax: +86-755-8427 6832

Email & Skype: info@chipsmall.com Web: www.chipsmall.com

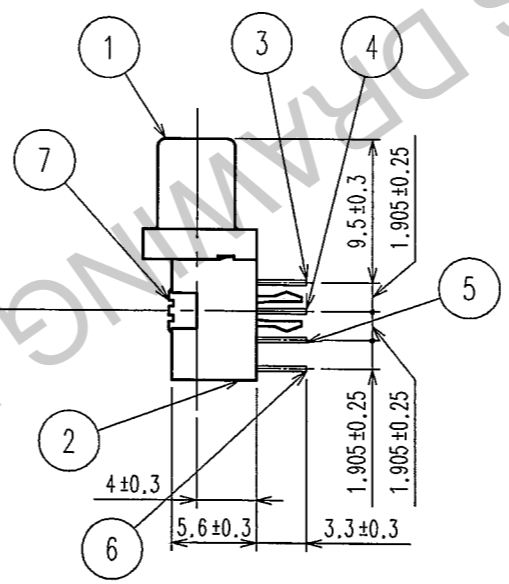
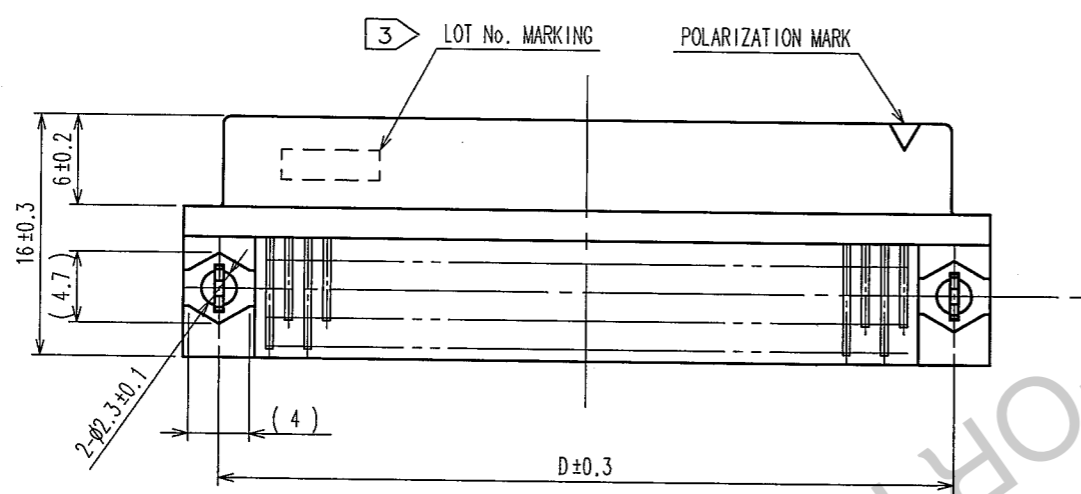
Address: A1208, Overseas Decoration Building, #122 Zhenhua RD., Futian, Shenzhen, China



COUNT	DESCRIPTION OF REVISIONS	BY	CHKD	DATE	COUNT	DESCRIPTION OF REVISIONS	BY	CHKD	DATE

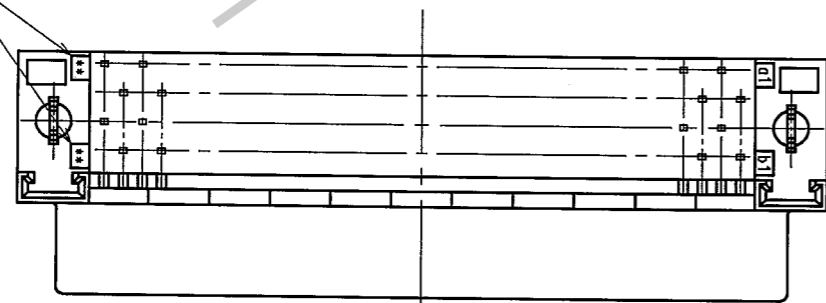


RECOMMENDED PC BOARD HOLE PATTERN (MOUNTING SIDE)
t=1.6



HRS No.	PART No.	1	A	B	C	D	2
CL572-2751-9-71	FX2-20S-1.27DSL(71)	20	22.75	11.43	17.63	18.05	10
CL572-2752-1-71	FX2-32S-1.27DSL(71)	32	30.37	19.05	25.25	25.67	16
CL572-2753-4-71	FX2-40S-1.27DSL(71)	40	35.45	24.13	30.33	30.75	20
CL572-2754-7-71	FX2-52S-1.27DSL(71)	52	43.07	31.75	37.95	38.37	26
CL572-2755-0-71	FX2-60S-1.27DSL(71)	60	48.15	36.83	43.03	43.45	30
CL572-2756-2-71	FX2-68S-1.27DSL(71)	68	53.23	41.91	48.11	48.53	34
CL572-2757-5-71	FX2-80S-1.27DSL(71)	80	60.85	49.53	55.73	56.15	40
CL572-2758-8-71	FX2-100S-1.27DSL(71)	100	73.55	62.23	68.43	68.85	50
CL572-2759-0-71	FX2-120S-1.27DSL(71)	120	86.25	74.93	81.13	81.55	60

NOTE 1 NUMBER OF PIN.
2 INDICATIONS.
3 SURFACE INDICATED LOT NO. SHALL BE OPTIONAL.
4 THE DIMENSIONS IN PARENTHESES ARE FOR REFERENCE.



TO PCK

7	PHOSPHOR BRONZE	TIN PLATED	3~6	PHOSPHOR BRONZE	CONTACT AREA:GOLD 0.2μm min
1,2	POLYAMIDE	BLACK UL94V-0			DIP AREA:TIN-PLATING 2μm min
					UNDER PLATING:NICKEL 2μm min
NO.	MATERIAL	FINISH, REMARKS	NO.	MATERIAL	FINISH, REMARKS
CODE NO. (OLD)			DRAWN	DESIGNED	CHECKED
			APPROVED	RELEASED	
			<i>A. Saito</i> <i>H. Doi</i> <i>H. Ogawa</i> <i>H. Ogawa</i> '05.03.25 '05.03.25 '05.03.25 '05.03.25		
DRAWING NO.			PART NO.		
EDC3-083296-21			FX2-**S-1.27DSL(71)		
SCALE			CODE NO.		
FREE			CL572		
UNITS			1/1		
mm			HIROSE ELECTRIC CO., LTD		

