



Chipsmall Limited consists of a professional team with an average of over 10 year of expertise in the distribution of electronic components. Based in Hongkong, we have already established firm and mutual-benefit business relationships with customers from,Europe,America and south Asia,supplying obsolete and hard-to-find components to meet their specific needs.

With the principle of “Quality Parts,Customers Priority,Honest Operation,and Considerate Service”,our business mainly focus on the distribution of electronic components. Line cards we deal with include Microchip,ALPS,ROHM,Xilinx,Pulse,ON,Everlight and Freescale. Main products comprise IC,Modules,Potentiometer,IC Socket,Relay,Connector.Our parts cover such applications as commercial,industrial, and automotives areas.

We are looking forward to setting up business relationship with you and hope to provide you with the best service and solution. Let us make a better world for our industry!



Contact us

Tel: +86-755-8981 8866 Fax: +86-755-8427 6832

Email & Skype: info@chipsmall.com Web: www.chipsmall.com

Address: A1208, Overseas Decoration Building, #122 Zhenhua RD., Futian, Shenzhen, China



RECOMMENDED LAND PATTERN DIMENSION OF PCB (MOUNTING SIDE)

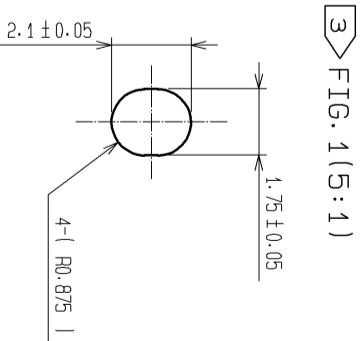
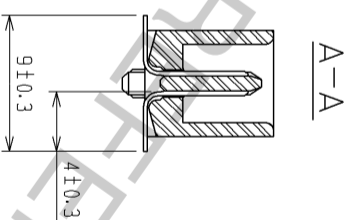
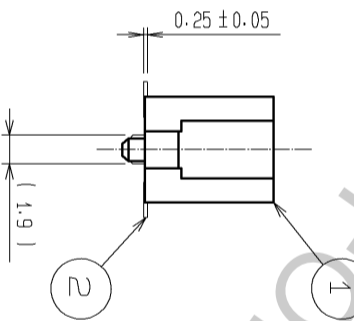
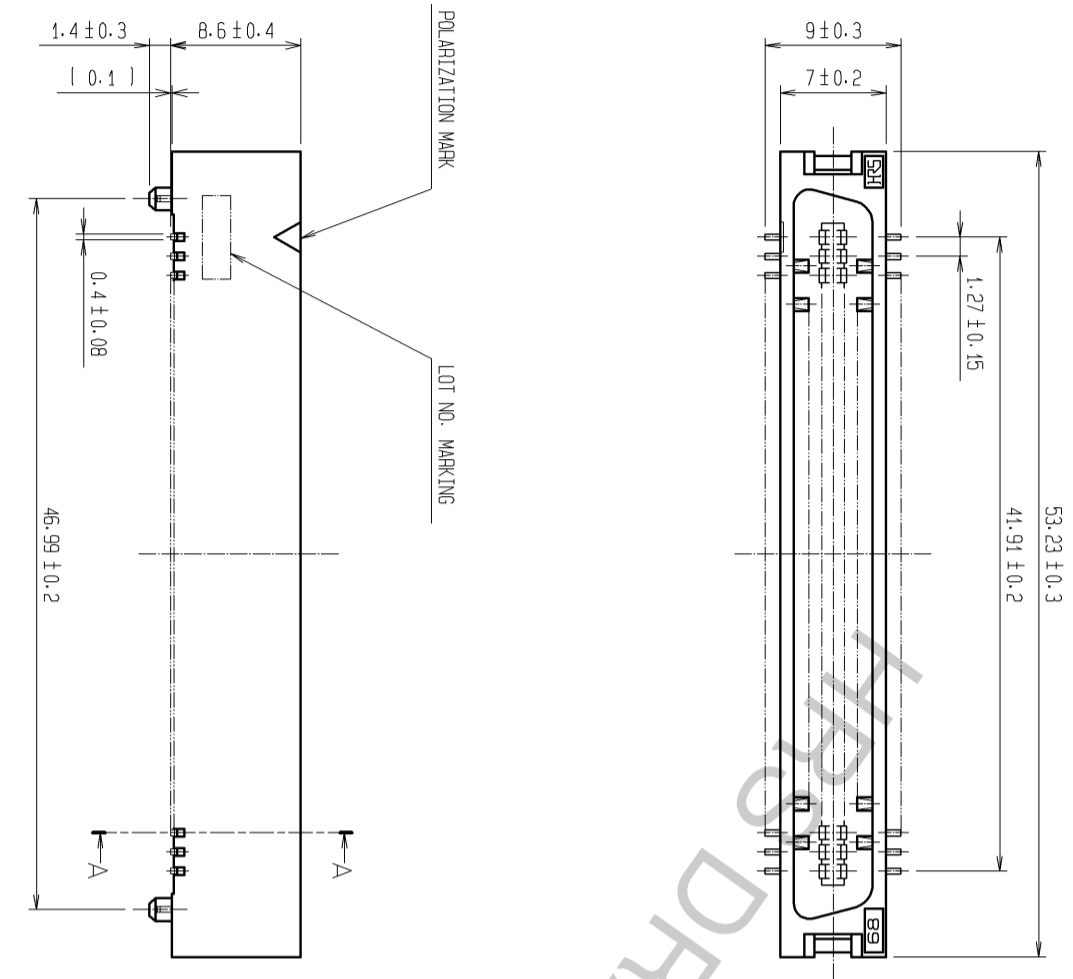
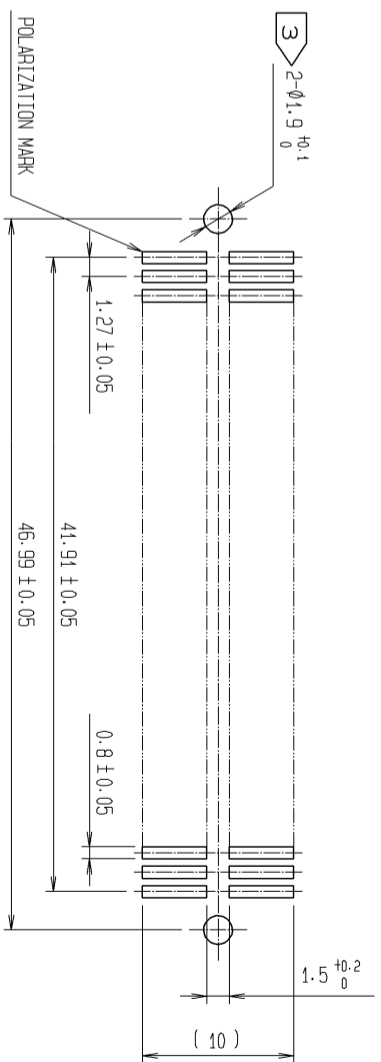
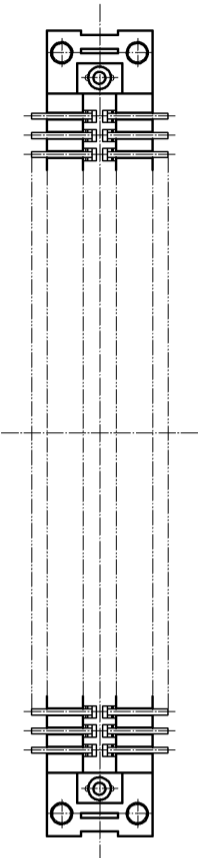


FIG. 1 (5:1)

- NOTES
- LEAD CO-PLANARITY SHALL BE 0.15 MAX.
 - THE DIMENSIONS IN PARENTHESES ARE FOR REFERENCE.
 - IN CASE OF THE AUTOMATED MOUNTING, RECOMMENDED HOLE DIAMETER OF BOSS IS SHOWN IN FIG. 1.



NO.	MATERIAL	FINISH	REMARKS	NO.	MATERIAL	FINISH	REMARKS
1	PPS	LIGHT BROWN (UL94V-0)		2	PHOSPHOR BRONZE		CONTACT AREA: GOLD 0.24μm min. LEAD AREA: TIN 2μm min. UNDER PLATING: NICKEL 2μm min.

UNITS	SCALE	COUNT	DESCRIPTION OF REVISIONS	DESIGNED	CHECKED	DATE
mm	2 : 1					

APPROVED	CHECKED	DESIGNED	DRAWING NO.	PART NO.	CODE
HS. OKAWA	HS. OZAWA	KT. DOI	EDC3-082406-21	FX2-68P-1.27SV(71)	CL572-2006-2-71

NO.	REVISIONS	DATE
1		