



Chipsmall Limited consists of a professional team with an average of over 10 year of expertise in the distribution of electronic components. Based in Hongkong, we have already established firm and mutual-benefit business relationships with customers from,Europe,America and south Asia,supplying obsolete and hard-to-find components to meet their specific needs.

With the principle of “Quality Parts,Customers Priority,Honest Operation,and Considerate Service”,our business mainly focus on the distribution of electronic components. Line cards we deal with include Microchip,ALPS,ROHM,Xilinx,Pulse,ON,Everlight and Freescale. Main products comprise IC,Modules,Potentiometer,IC Socket,Relay,Connector.Our parts cover such applications as commercial,industrial, and automotives areas.

We are looking forward to setting up business relationship with you and hope to provide you with the best service and solution. Let us make a better world for our industry!



Contact us

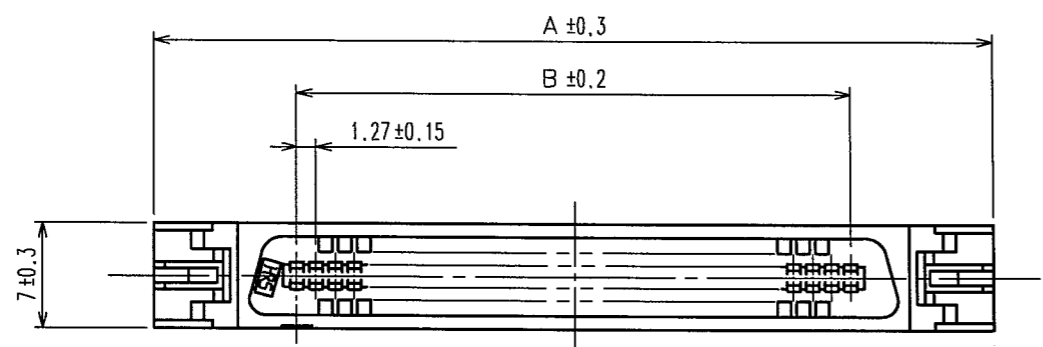
Tel: +86-755-8981 8866 Fax: +86-755-8427 6832

Email & Skype: info@chipsmall.com Web: www.chipsmall.com

Address: A1208, Overseas Decoration Building, #122 Zhenhua RD., Futian, Shenzhen, China



COUNT	DESCRIPTION OF REVISIONS	BY	CHKD	DATE	COUNT	DESCRIPTION OF REVISIONS	BY	CHKD	DATE
△				..	△				..
△				..	△				..
△				..	△				..



RECOMMEND PC BOARD HOLE PATTERN(MOUNTING SIDE)

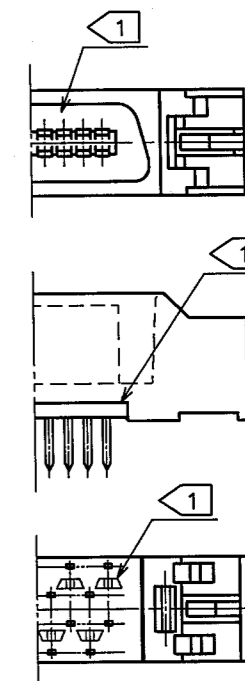
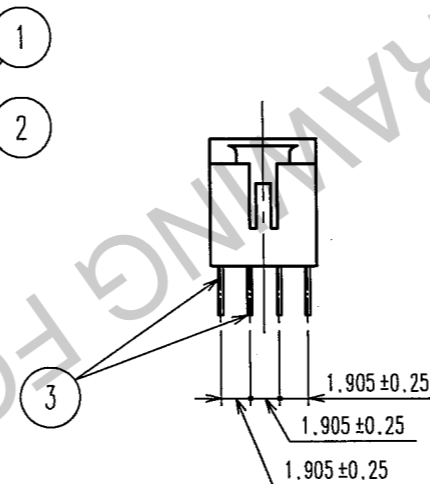
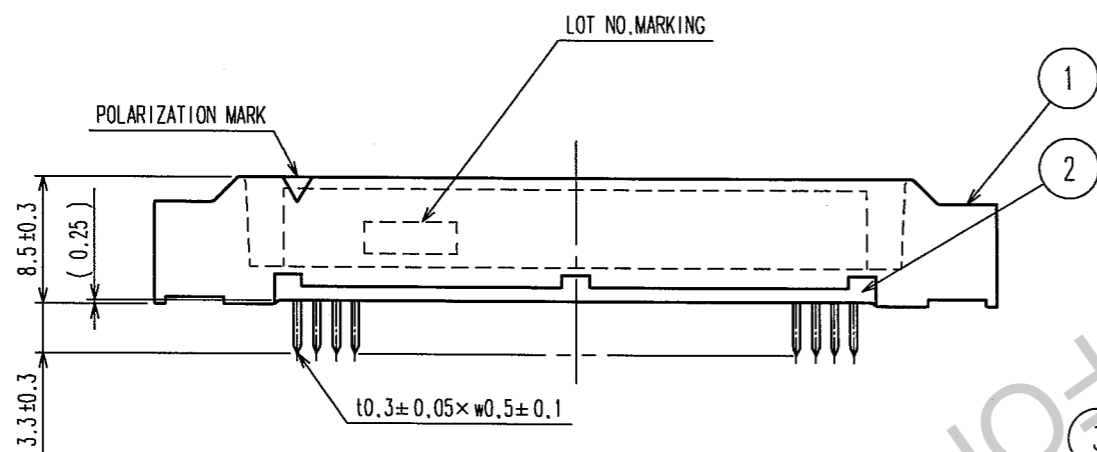
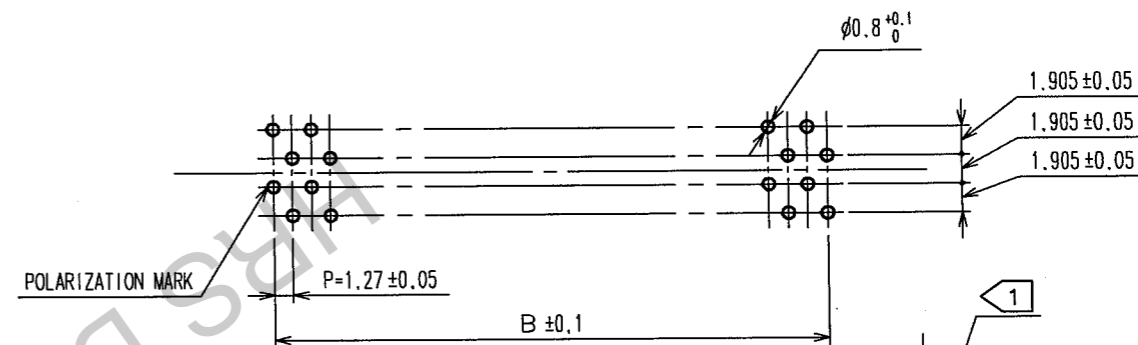


FIGURE 1

- NOTES ① THE DESIGN OF 20 AND 32 POS. TYPES PARTIALLY DIFFERS AS SHOWN IN FIGURE1.
 ② THE DIMENSIONS IN PARENTHESES ARE FOR REFERENCE INDICATES VALUES FOR REFERENCE.
 ③ NUMBER OF PIN.

PART NO.	CODE NO.	③	A	B
FX2B- 20P-1.27DSA(71)	CL572-0801-4-71	20	30.33	11.43
FX2B- 32P-1.27DSA(71)	CL572-0802-7-71	32	37.95	19.05
FX2B- 40P-1.27DSA(71)	CL572-0803-0-71	40	43.03	24.13
FX2B- 52P-1.27DSA(71)	CL572-0804-2-71	52	50.65	31.75
FX2B- 60P-1.27DSA(71)	CL572-0805-5-71	60	55.73	36.83
FX2B- 68P-1.27DSA(71)	CL572-0806-8-71	68	60.81	41.91
FX2B- 80P-1.27DSA(71)	CL572-0807-0-71	80	68.43	49.53
FX2B-100P-1.27DSA(71)	CL572-0808-3-71	100	81.13	62.23

1, 2	POLYAMIDE	BLACK	UL94V-0	3	PHOSPHOR BRONZE	CONTACT AREA:GOLD 0.2μ m min DIP AREA:TIN-PLATING 2μ m min UNDER PLATING:NICKEL 2μ m min	
NO.	MATERIAL	FINISH,	REMARKS	NO.	MATERIAL	FINISH, REMARKS	
CODE NO.(OLD) CL		DRAWN M.NAKAMOTO 04.09.09		DESIGNED K. Doi 04.09.09	CHECKED K. Ogawa 04.09.09	APPROVED H. Okawa 04.09.09	RELEASED
SCALE FREE		DRAWING NO. EDC3-082258-21		PART NO. FX2B-**P-1.27DSA(71)			1
UNITS mm		HRS HIROSE ELECTRIC CO.,LTD.		CODE NO. CL572			1

TO
PCK