



Chipsmall Limited consists of a professional team with an average of over 10 year of expertise in the distribution of electronic components. Based in Hongkong, we have already established firm and mutual-benefit business relationships with customers from,Europe,America and south Asia,supplying obsolete and hard-to-find components to meet their specific needs.

With the principle of “Quality Parts,Customers Priority,Honest Operation,and Considerate Service”,our business mainly focus on the distribution of electronic components. Line cards we deal with include Microchip,ALPS,ROHM,Xilinx,Pulse,ON,Everlight and Freescale. Main products comprise IC,Modules,Potentiometer,IC Socket,Relay,Connector.Our parts cover such applications as commercial,industrial, and automotives areas.

We are looking forward to setting up business relationship with you and hope to provide you with the best service and solution. Let us make a better world for our industry!



Contact us

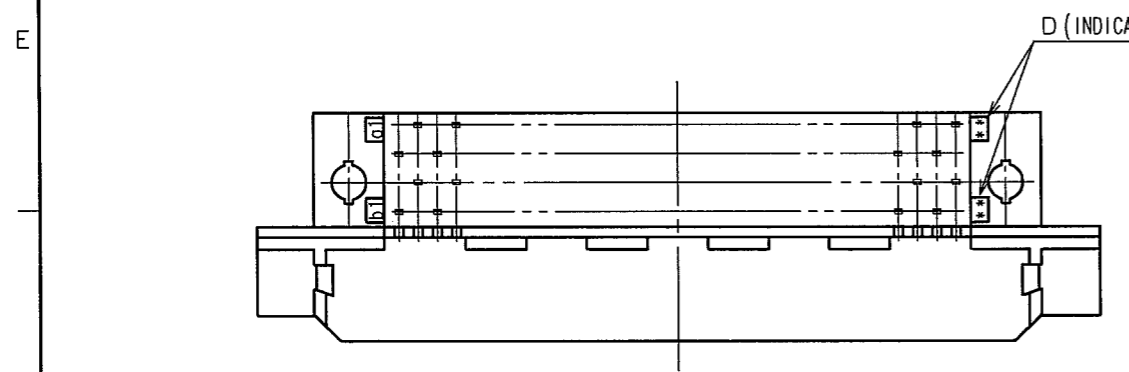
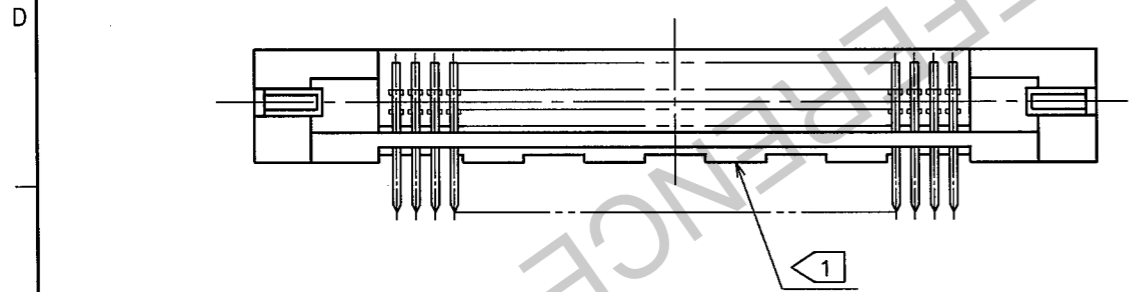
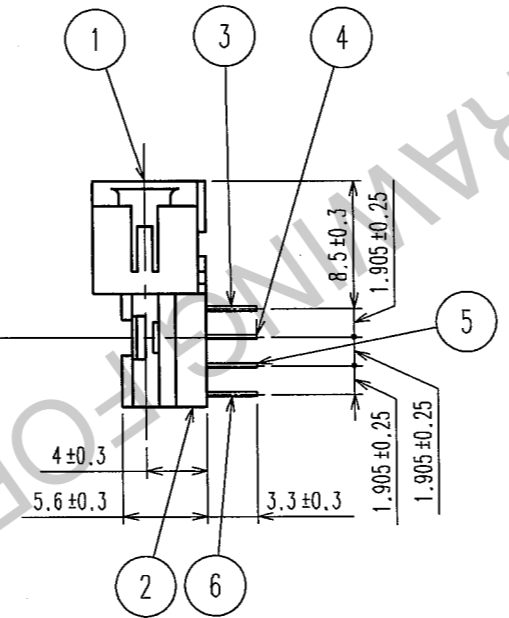
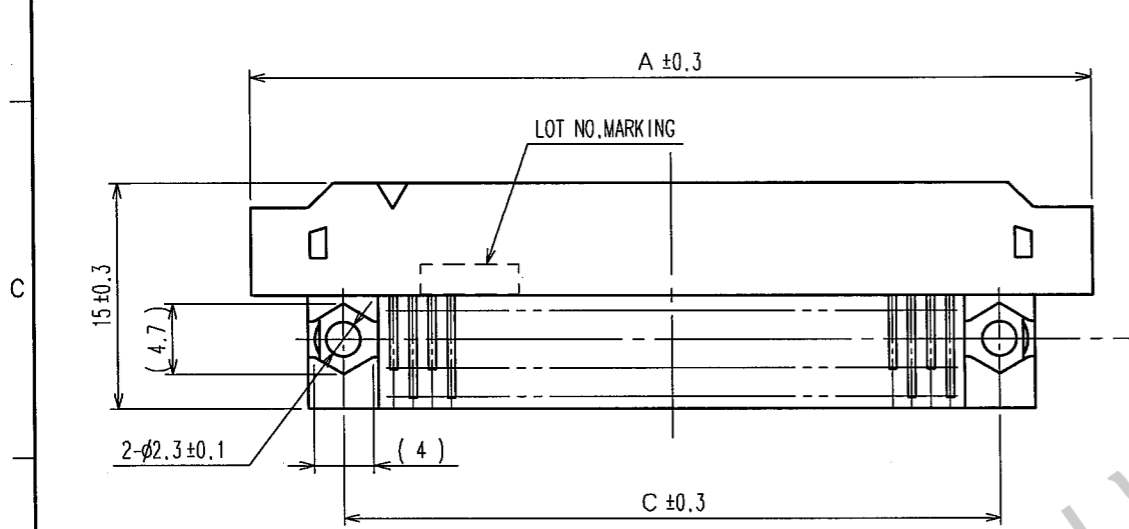
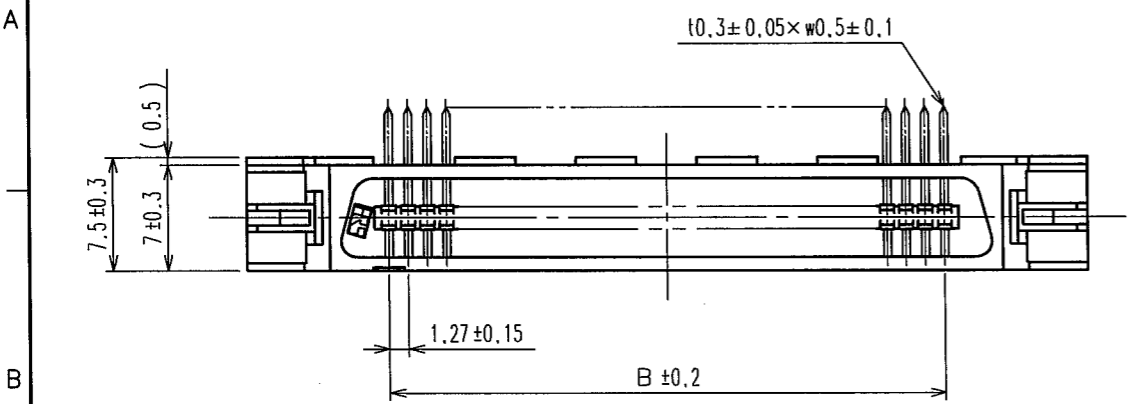
Tel: +86-755-8981 8866 Fax: +86-755-8427 6832

Email & Skype: info@chipsmall.com Web: www.chipsmall.com

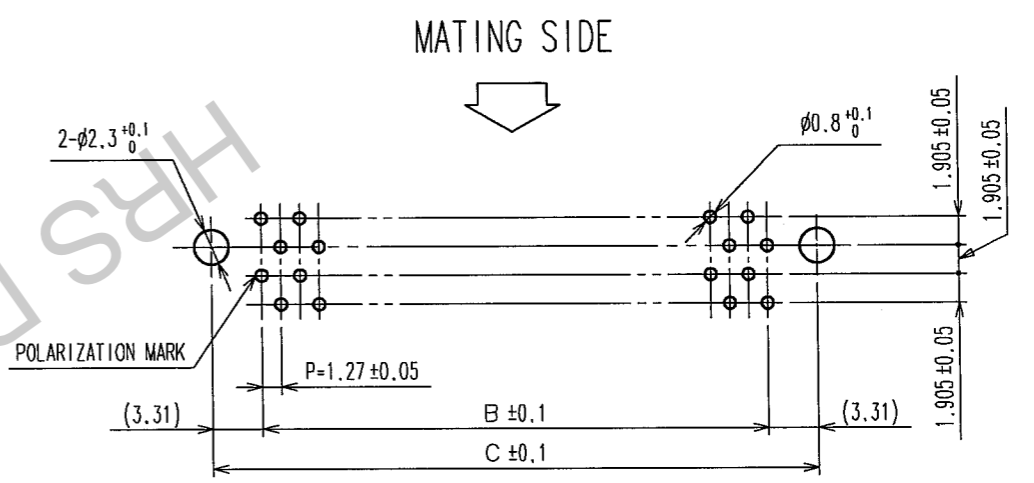
Address: A1208, Overseas Decoration Building, #122 Zhenhua RD., Futian, Shenzhen, China



COUNT	DESCRIPTION OF REVISIONS	BY	CHKD	DATE	COUNT	DESCRIPTION OF REVISIONS	BY	CHKD	DATE
△				..	△				..
△				..	△				..
△				..	△				..



RECOMMEND PC BOARD HOLE PATTERN (MOUNTING SIDE)



PART No.	CODE No.	2	A	B	C	D
FX2B-20PA-1.27DS(71)	CL572-0721-7-71	20	30.33	11.43	18.05	10
FX2B-32PA-1.27DS(71)	CL572-0722-0-71	32	37.95	19.05	25.67	16
FX2B-40PA-1.27DS(71)	CL572-0723-2-71	40	43.03	24.13	30.75	20
FX2B-52PA-1.27DS(71)	CL572-0724-5-71	52	50.65	31.75	38.37	26
FX2B-60PA-1.27DS(71)	CL572-0725-8-71	60	55.73	36.83	43.45	30
FX2B-68PA-1.27DS(71)	CL572-0726-0-71	68	60.81	41.91	48.53	34
FX2B-80PA-1.27DS(71)	CL572-0727-3-71	80	68.43	49.53	56.15	40
FX2B-100PA-1.27DS(71)	CL572-0728-6-71	100	81.13	62.23	68.85	50

- NOTES
 1. STANDOFF DIFFERS ACCORDING TO PRODUCTS.
 2. NUMBER OF PIN.
 3. THE DIMENSIONS IN PARENTHESES ARE FOR REFERENCE.

TO
PCK

1, 2	POLYAMIDE	BLACK	UL94V-0	3~6	BRASS	CONTACT AREA: GOLD FLASH DIP AREA: TIN-PLATING 2μm min UNDER PLATING: NICKEL 1μm min			
NO.	MATERIAL	FINISH,	REMARKS	NO.	MATERIAL	FINISH,	REMARKS		
CODE NO. (OLD) CL				DRAWN	DESIGNED	CHECKED	APPROVED	RELEASED	
				I.OKAYAMA	K.NAKAMURA	H.OKAWA	H.OKAWA		
				04.06.02	04.06.02	04.06.14	04.06.14		
DRAWING NO. EDC3-153963-21					PART NO. FX2B-***PA-1.27DS(71)				
SCALE FREE					CODE NO. CL572				
UNITS mm					1/1				