



Chipsmall Limited consists of a professional team with an average of over 10 year of expertise in the distribution of electronic components. Based in Hongkong, we have already established firm and mutual-benefit business relationships with customers from,Europe,America and south Asia,supplying obsolete and hard-to-find components to meet their specific needs.

With the principle of “Quality Parts,Customers Priority,Honest Operation,and Considerate Service”,our business mainly focus on the distribution of electronic components. Line cards we deal with include Microchip,ALPS,ROHM,Xilinx,Pulse,ON,Everlight and Freescale. Main products comprise IC,Modules,Potentiometer,IC Socket,Relay,Connector.Our parts cover such applications as commercial,industrial, and automotives areas.

We are looking forward to setting up business relationship with you and hope to provide you with the best service and solution. Let us make a better world for our industry!



## Contact us

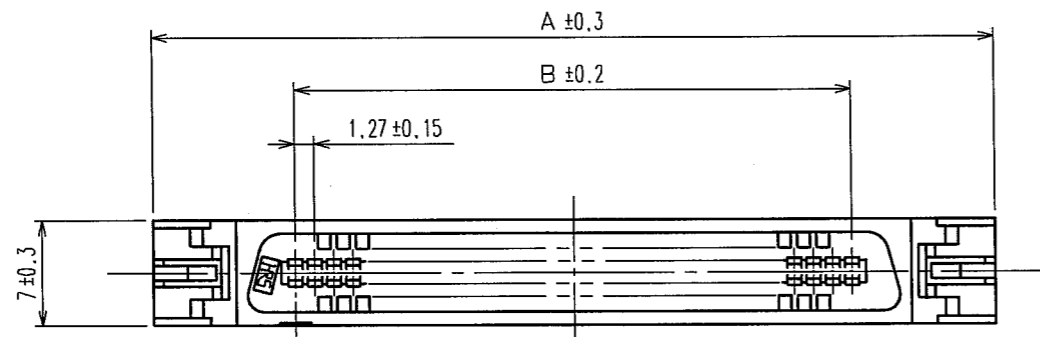
Tel: +86-755-8981 8866 Fax: +86-755-8427 6832

Email & Skype: info@chipsmall.com Web: www.chipsmall.com

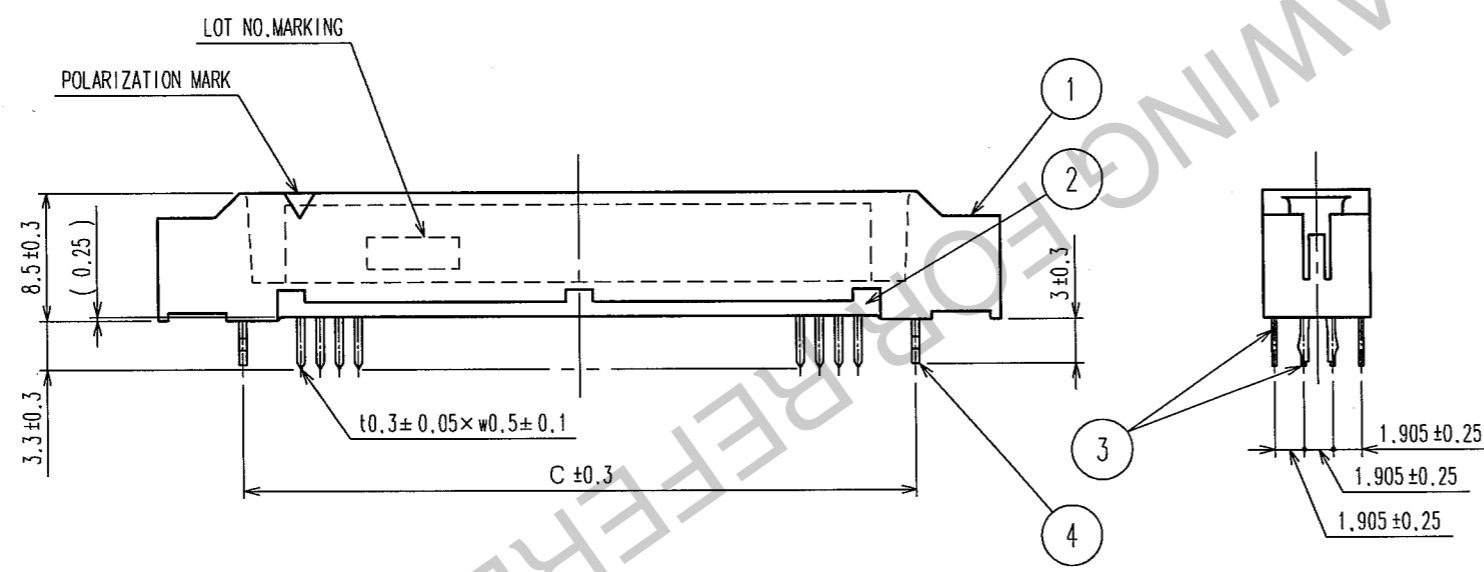
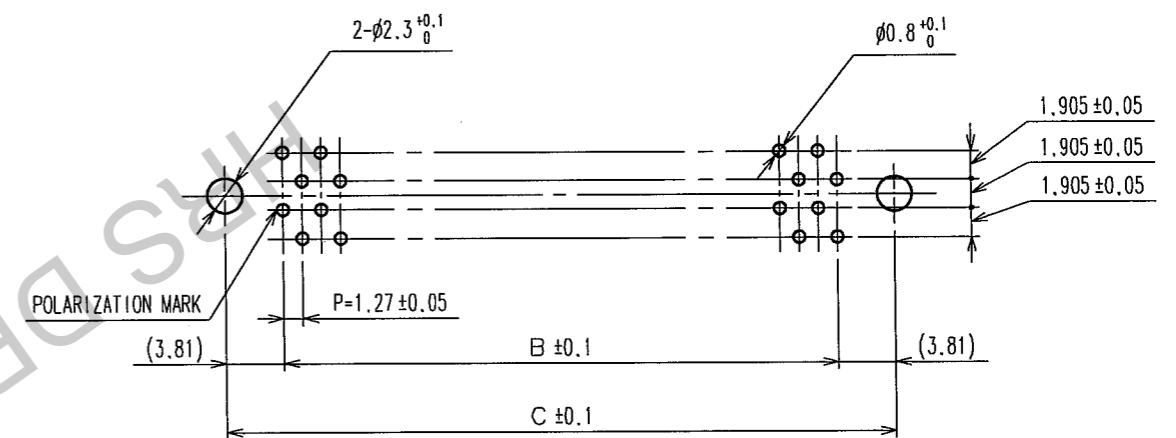
Address: A1208, Overseas Decoration Building, #122 Zhenhua RD., Futian, Shenzhen, China



COUNT	DESCRIPTION OF REVISIONS	BY	CHKD	DATE	COUNT	DESCRIPTION OF REVISIONS	BY	CHKD	DATE
△				..	△				..
△				..	△				..
△				..	△				..



RECOMMENDEND PC BOARD HOLE PATTERN ( MOUNTING SIDE )



PART No.	CODE No.	2	A	B	C
FX2B-40PA-1.27DSAL (71)	CL572-0873-5-71	40	43.03	24.13	31.75
FX2B-52PA-1.27DSAL (71)	CL572-0874-8-71	52	50.65	31.75	39.37
FX2B-60PA-1.27DSAL (71)	CL572-0875-0-71	60	55.73	36.83	44.45
FX2B-68PA-1.27DSAL (71)	CL572-0876-3-71	68	60.81	41.91	49.53
FX2B-80PA-1.27DSAL (71)	CL572-0877-6-71	80	68.43	49.53	57.15
FX2B-100PA-1.27DSAL (71)	CL572-0878-9-71	100	81.13	62.23	69.85

NOTES 1. THE DIMENSIONS IN PARENTHESES ARE FOR REFERENCE.  
2. NUMBER OF PIN.

4	PHOSPHOR BRONZE	TIN-PLATING	3	BRASS	CONTACT AREA:GOLD FLASH			
1, 2	POLYAMIDE	BLACK	UL94V-0		DIP AREA:TIN-PLATING 2μ m min			
					UNDER PLATING:NICKEL 1μ m min			
NO.	MATERIAL	FINISH,	REMARKS	NO.	MATERIAL	FINISH,	REMARKS	
CODE NO. (OLD) CL				DRAWN	DESIGNED	CHECKED	APPROVED	RELEASED
				I.OKAYAMA	K.NAKAMURA	H.OKAWA	H.OKAWA	
				04.06.02	04.06.02	04.06.14	04.06.14	
DRAWING NO. EDC3-151043-21				PART NO. FX2B-***PA-1.27DSAL (71)				
SCALE FREE				CODE NO. CL572				
UNITS mm				HIROSE ELECTRIC CO., LTD.				

TO  
PCK