



Chipsmall Limited consists of a professional team with an average of over 10 year of expertise in the distribution of electronic components. Based in Hongkong, we have already established firm and mutual-benefit business relationships with customers from,Europe,America and south Asia,supplying obsolete and hard-to-find components to meet their specific needs.

With the principle of “Quality Parts,Customers Priority,Honest Operation,and Considerate Service”,our business mainly focus on the distribution of electronic components. Line cards we deal with include Microchip,ALPS,ROHM,Xilinx,Pulse,ON,Everlight and Freescale. Main products comprise IC,Modules,Potentiometer,IC Socket,Relay,Connector.Our parts cover such applications as commercial,industrial, and automotives areas.

We are looking forward to setting up business relationship with you and hope to provide you with the best service and solution. Let us make a better world for our industry!



Contact us

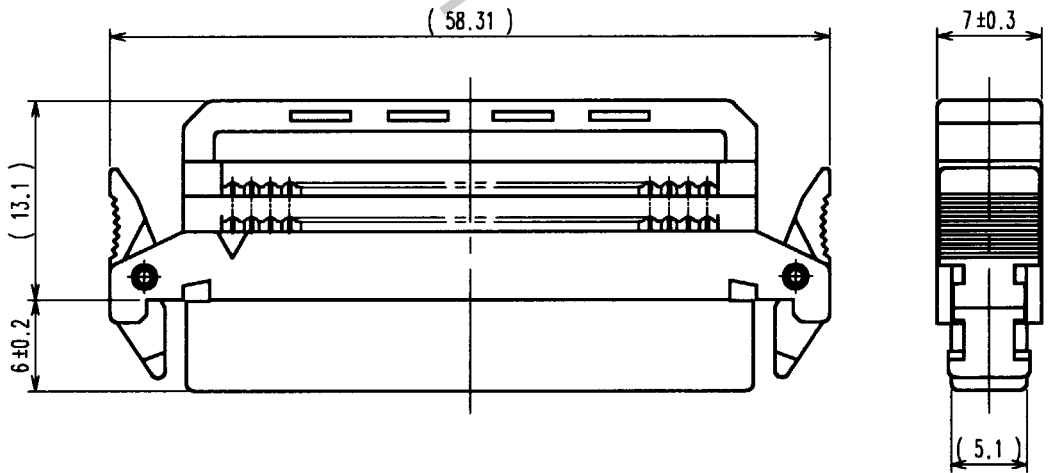
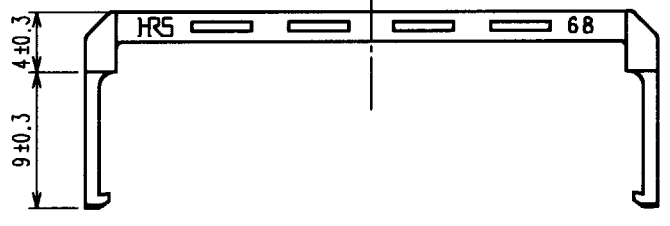
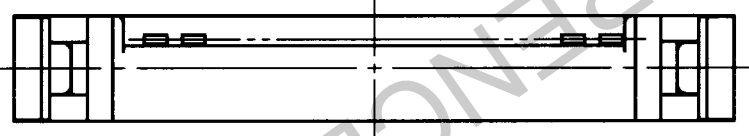
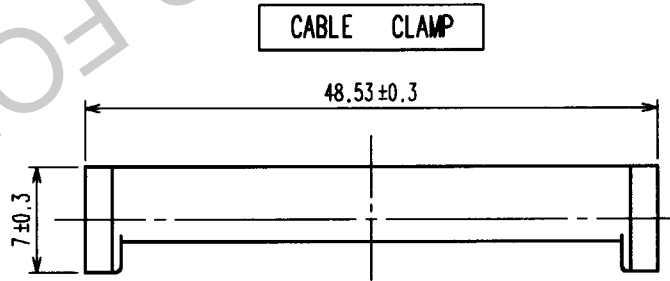
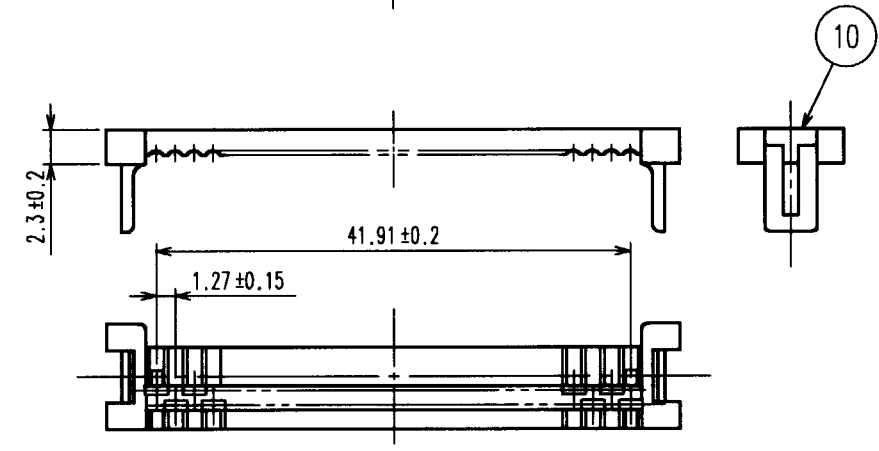
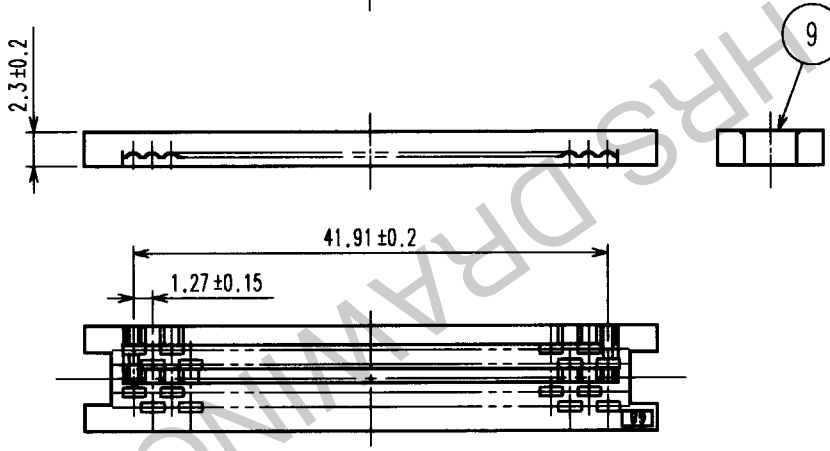
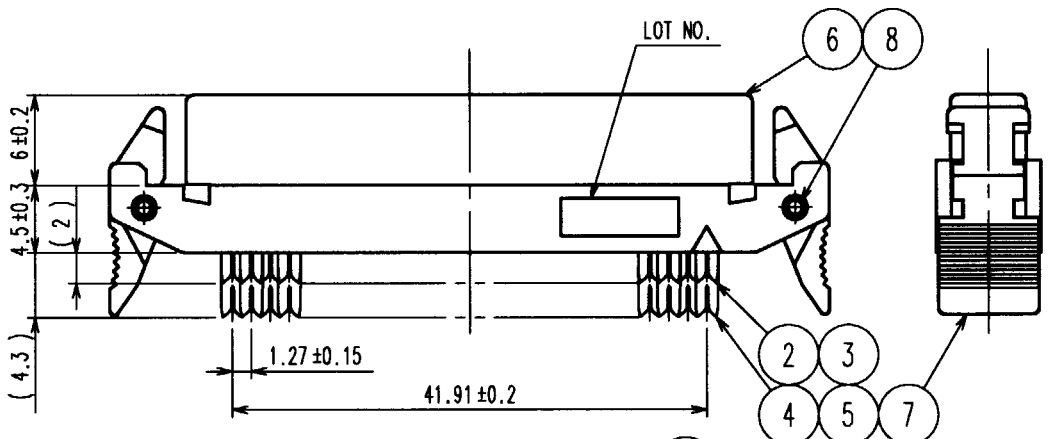
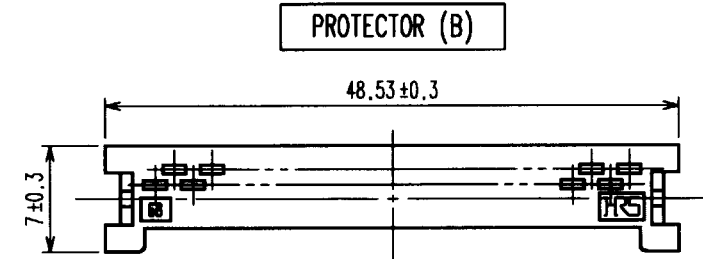
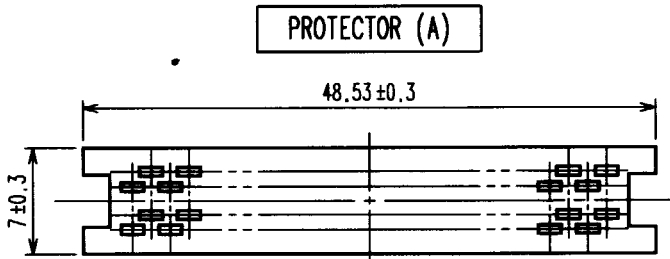
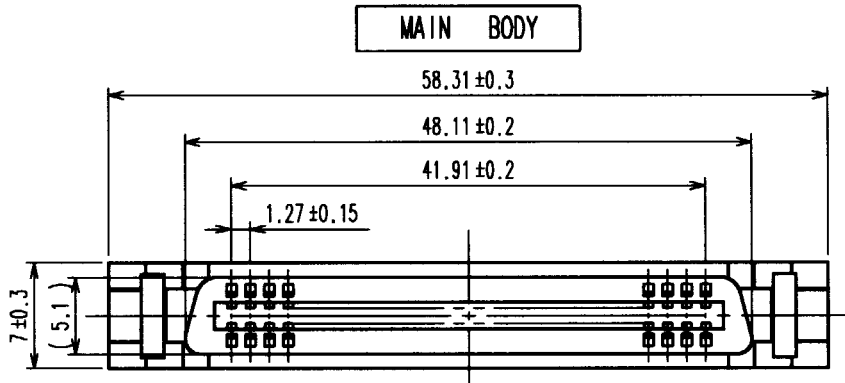
Tel: +86-755-8981 8866 Fax: +86-755-8427 6832

Email & Skype: info@chipsmall.com Web: www.chipsmall.com

Address: A1208, Overseas Decoration Building, #122 Zhenhua RD., Futian, Shenzhen, China



COUNT	DESCRIPTION OF REVISIONS	BY	CHKD	DATE	COUNT	DESCRIPTION OF REVISIONS	BY	CHKD	DATE
△					△				
△					△				
△					△				



NO.	MATERIAL	FINISH, REMARKS
11	PA	BLACK UL94V-0
9, 10	PBT	BLACK UL94V-0
8	STAINLESS STEEL	
6, 7	PBT	BLACK UL94V-0
2~5	PHOSPHOR BRONZE	CONTACT AREA: GOLD PLATED (FLASH) OVER NICKEL THE OTHER AREA: NICKEL PLATED
1	PBT	BLACK UL94V-0

TO
PCK

CODE NO. (OLD) CL	DRAWN K. Kiriyama 00.09.13	DESIGNED S. Nishimura 00.09.13	CHECKED H. Okawa 00.09.13	APPROVED T. Yoshimura 00.09.13	RELEASED
SCALE FREE	DRAWING NO. EDC3-150615		PART NO. FX2B-68SA-1.27R		
UNITS mm	HIROSE ELECTRIC CO., LTD		CODE NO. CL572-0629-4		1/1