



Chipsmall Limited consists of a professional team with an average of over 10 year of expertise in the distribution of electronic components. Based in Hongkong, we have already established firm and mutual-benefit business relationships with customers from,Europe,America and south Asia,supplying obsolete and hard-to-find components to meet their specific needs.

With the principle of “Quality Parts,Customers Priority,Honest Operation,and Considerate Service”,our business mainly focus on the distribution of electronic components. Line cards we deal with include Microchip,ALPS,ROHM,Xilinx,Pulse,ON,Everlight and Freescale. Main products comprise IC,Modules,Potentiometer,IC Socket,Relay,Connector.Our parts cover such applications as commercial,industrial, and automotives areas.

We are looking forward to setting up business relationship with you and hope to provide you with the best service and solution. Let us make a better world for our industry!



Contact us

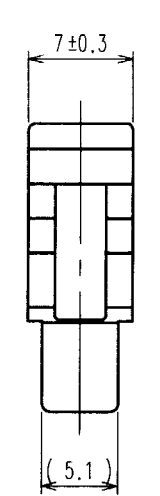
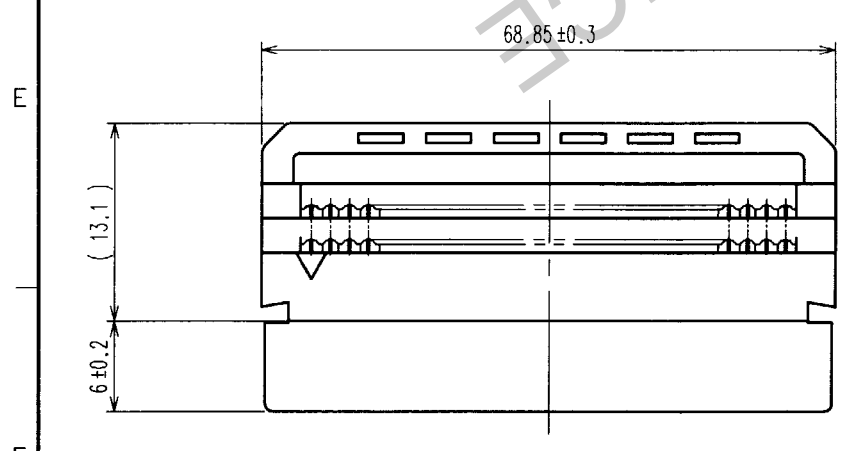
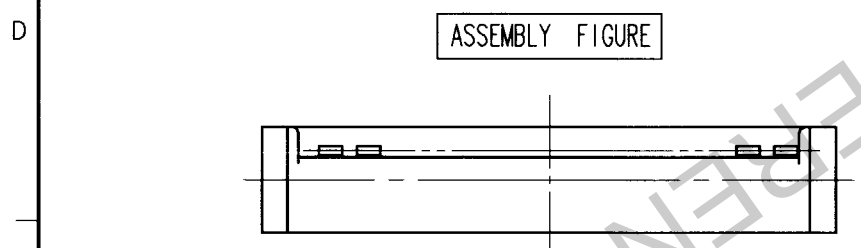
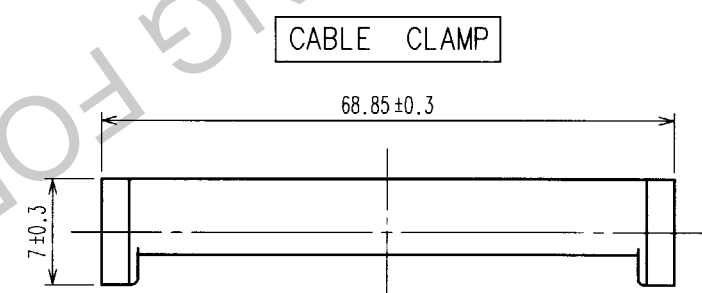
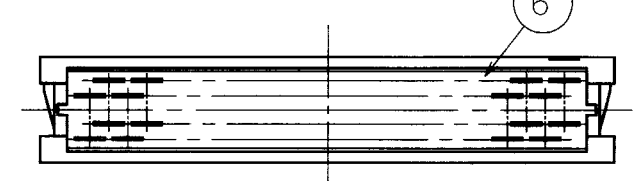
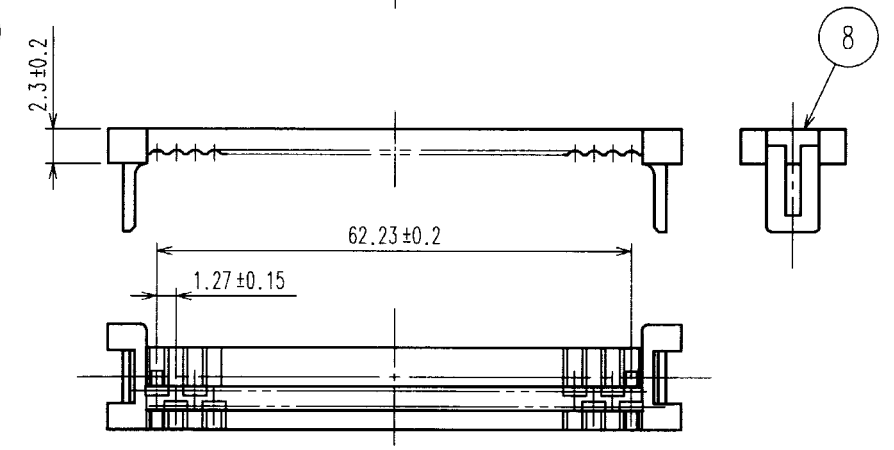
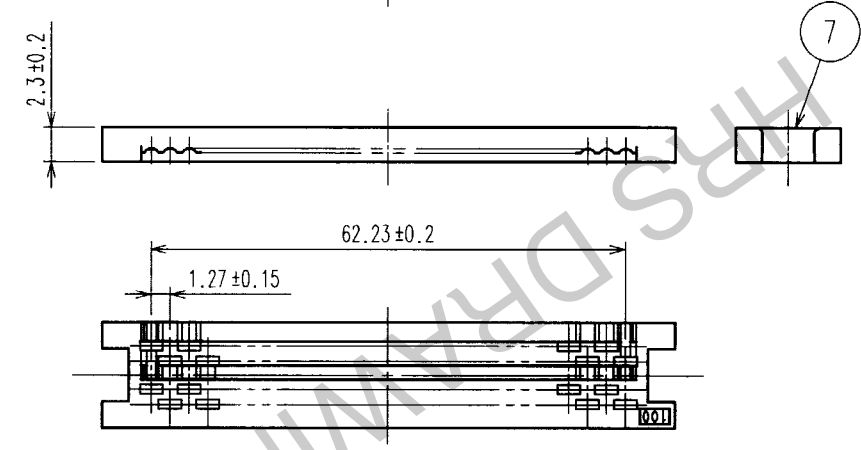
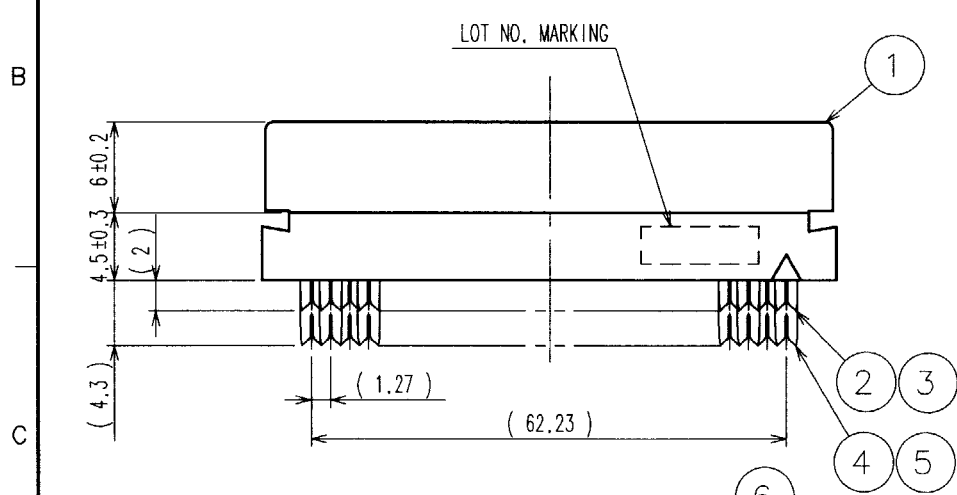
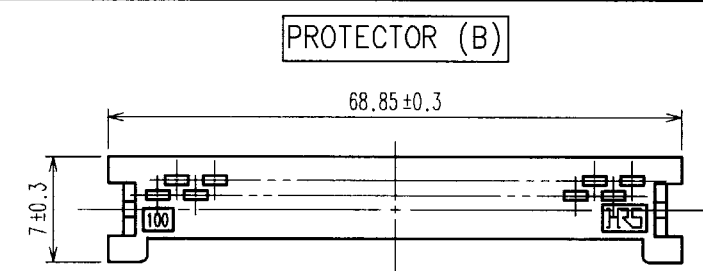
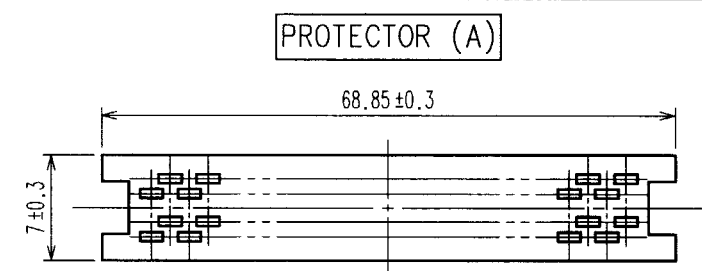
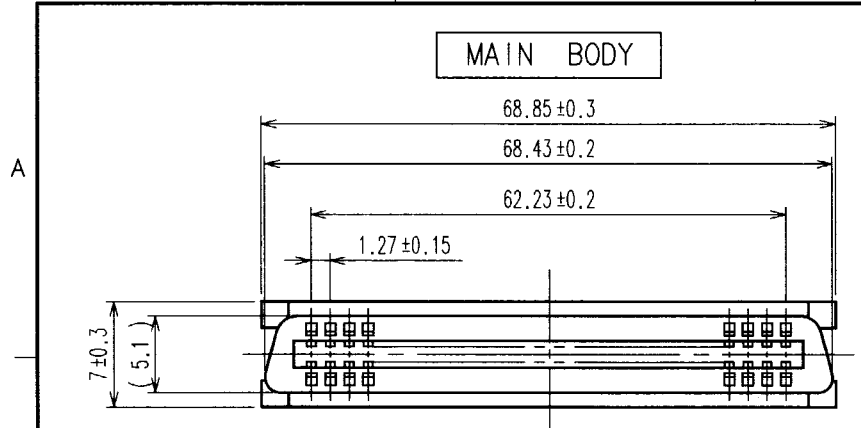
Tel: +86-755-8981 8866 Fax: +86-755-8427 6832

Email & Skype: info@chipsmall.com Web: www.chipsmall.com

Address: A1208, Overseas Decoration Building, #122 Zhenhua RD., Futian, Shenzhen, China



COUNT	DESCRIPTION OF REVISIONS	BY	CHKD	DATE	COUNT	DESCRIPTION OF REVISIONS	BY	CHKD	DATE
△				..	△				..
△				..	△				..
△				..	△				..



NOTE COMPONENTS OF REF. NO.7 ~ 9 ARE APPENDED PRODUCTS.

9	PA	BLACK	UL94V-0
6~8	PBT	BLACK	UL94V-0
2~5	PHOSPHOR BRONZE	CONTACT AREA:GOLD PLATED(FLASH) OVER NICKEL THE OTHER AREA:NICKEL PLATED	

1	PBT	BLACK	UL94V-0	9	PA	BLACK	UL94V-0	
NO.	MATERIAL	FINISH, REMARKS		NO.	MATERIAL	FINISH, REMARKS		
CODE NO. (OLD)	CL			DRAWN	DESIGNED	CHECKED	APPROVED	RELEASED
				K.NAKAMURA	H.Yamaguchi	H.Okawa	Y.Yoshimura	
				02.02.27	02.03.04	02.03.04	02.03.05	
SCALE	DRAWING NO.			PART NO.				
FREE	EDC3-150665			FX2BA-100SA-1.27R				
UNITS	HRS HIROSE ELECTRIC CO., LTD			CODE NO.				
mm				CL572-0678-0				

TO
PCK