



Chipsmall Limited consists of a professional team with an average of over 10 year of expertise in the distribution of electronic components. Based in Hongkong, we have already established firm and mutual-benefit business relationships with customers from,Europe,America and south Asia,supplying obsolete and hard-to-find components to meet their specific needs.

With the principle of "Quality Parts,Customers Priority,Honest Operation,and Considerate Service",our business mainly focus on the distribution of electronic components. Line cards we deal with include Microchip,ALPS,ROHM,Xilinx,Pulse,ON,Everlight and Freescale. Main products comprise IC,Modules,Potentiometer,IC Socket,Relay,Connector.Our parts cover such applications as commercial,industrial, and automotives areas.

We are looking forward to setting up business relationship with you and hope to provide you with the best service and solution. Let us make a better world for our industry!



## Contact us

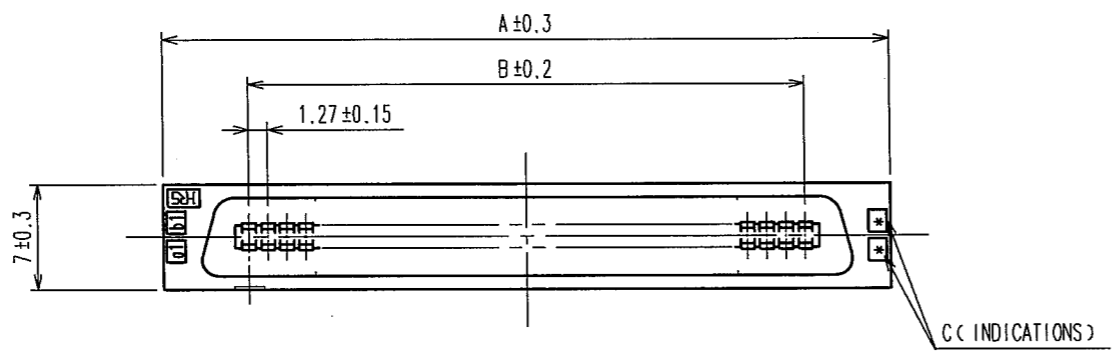
Tel: +86-755-8981 8866 Fax: +86-755-8427 6832

Email & Skype: info@chipsmall.com Web: www.chipsmall.com

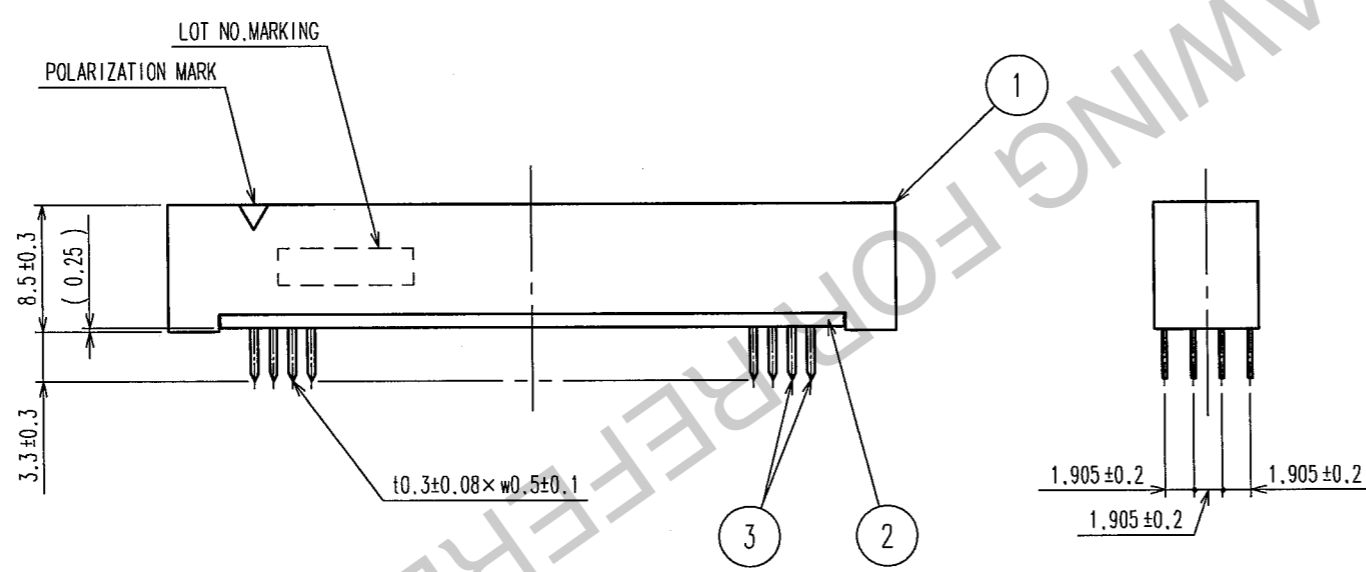
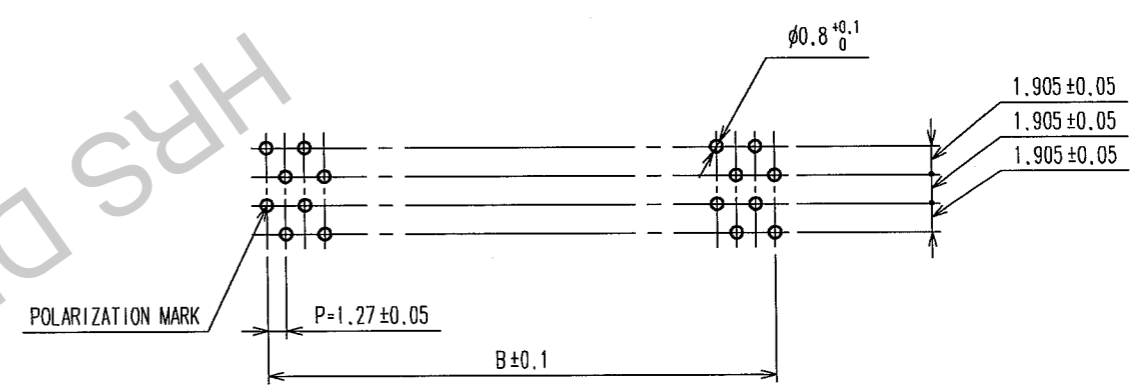
Address: A1208, Overseas Decoration Building, #122 Zhenhua RD., Futian, Shenzhen, China



COUNT	DESCRIPTION OF REVISIONS	BY	CHKD	DATE	COUNT	DESCRIPTION OF REVISIONS	BY	CHKD	DATE
△				..	△				..
△				..	△				..
△				..	△				..

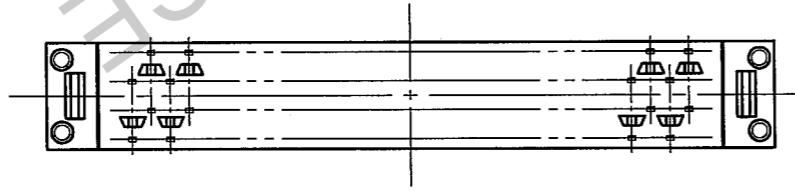


RECOMMEND PC BOARD HOLE PATTERN ( MOUNTING SIDE )  
t=1.6



PART No.	CODE No.	2	A	B	C
FX2C-20P-1.27DSA(71)	CL572-2201-8-71	20	22.75	11.43	10
FX2C-32P-1.27DSA(71)	CL572-2202-0-71	32	30.37	19.05	16
FX2C-40P-1.27DSA(71)	CL572-2203-3-71	40	35.45	24.13	20
FX2C-52P-1.27DSA(71)	CL572-2204-6-71	52	43.07	31.75	26
FX2C-60P-1.27DSA(71)	CL572-2205-9-71	60	48.15	36.83	30
FX2C-68P-1.27DSA(71)	CL572-2206-1-71	68	53.23	41.91	34
FX2C-80P-1.27DSA(71)	CL572-2207-4-71	80	60.85	49.53	40
FX2C-100P-1.27DSA(71)	CL572-2208-7-71	100	73.55	62.23	50
FX2C-120P-1.27DSA(71)	CL572-2209-0-71	120	86.25	74.93	60

NOTES 1. THE DIMENSIONS IN PARENTHESES ARE FOR REFERENCE.  
2. NUMBER OF PIN.



2	POLYAMIDE	BLACK	UL94V-0	3	PHOSPHOR BRONZE	CONTACT AREA: GOLD 0.2 μ m min		
1	POLYAMIDE	BLACK	UL94V-0			DIP AREA: TIN-PLATING 2 μ m min		
						UNDER PLATING: NICKEL 2 μ m min		
NO.	MATERIAL	FINISH, REMARKS		NO.	MATERIAL	FINISH, REMARKS		
CODE NO. (OLD) CL				DRAWN	DESIGNED	CHECKED	APPROVED	RELEASED
				I.OKAYAMA	K.NAKAMURA	H.OKAWA	H.OKAWA	
				04.06.02	04.06.02	04.06.09	04.06.09	
SCALE FREE		DRAWING NO. EDC3-083045-21		PART NO. FX2C-***P-1.27DSA(71)				
UNITS mm		HRS HIROSE ELECTRIC CO., LTD		CODE NO. CL572		1/1		

TO  
PCK