



Chipsmall Limited consists of a professional team with an average of over 10 year of expertise in the distribution of electronic components. Based in Hongkong, we have already established firm and mutual-benefit business relationships with customers from,Europe,America and south Asia,supplying obsolete and hard-to-find components to meet their specific needs.

With the principle of "Quality Parts,Customers Priority,Honest Operation,and Considerate Service",our business mainly focus on the distribution of electronic components. Line cards we deal with include Microchip,ALPS,ROHM,Xilinx,Pulse,ON,Everlight and Freescale. Main products comprise IC,Modules,Potentiometer,IC Socket,Relay,Connector.Our parts cover such applications as commercial,industrial, and automotives areas.

We are looking forward to setting up business relationship with you and hope to provide you with the best service and solution. Let us make a better world for our industry!



Contact us

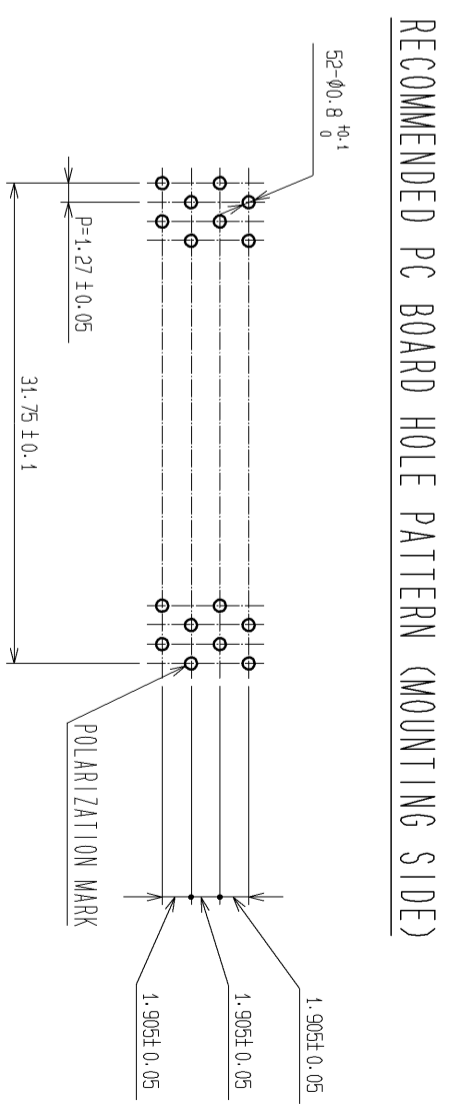
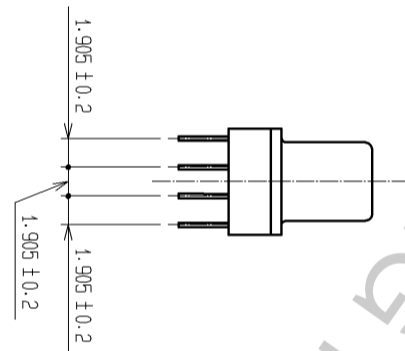
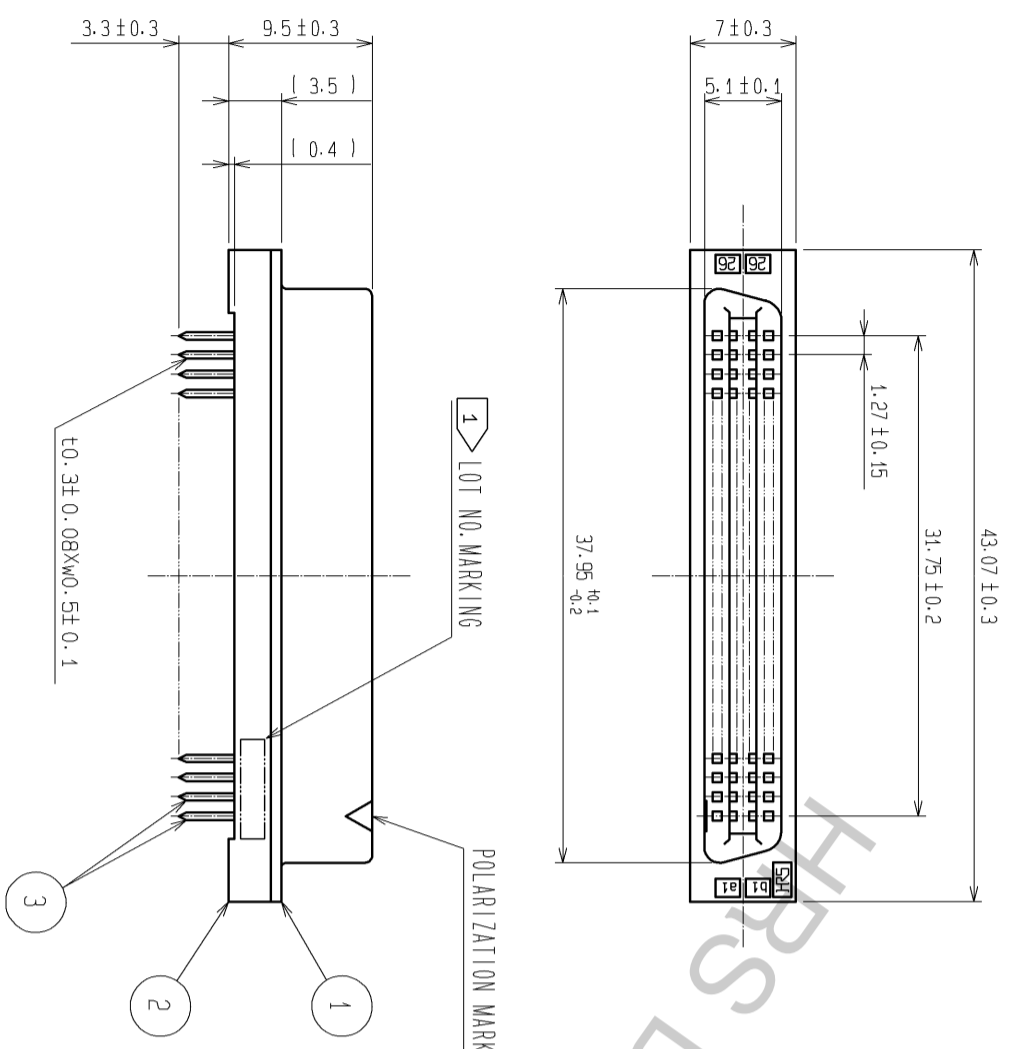
Tel: +86-755-8981 8866 Fax: +86-755-8427 6832

Email & Skype: info@chipsmall.com Web: www.chipsmall.com

Address: A1208, Overseas Decoration Building, #122 Zhenhua RD., Futian, Shenzhen, China



FORM NO. 229-1



NOTES
 1. LOT NO. MARKING SIDE SHALL BE OPTIONAL.
 2. THE DIMENSIONS IN PARENTHESES ARE FOR REFERENCE.

1.2	POLYAMIDE	BLACK, UL94V-0	3	PHOSPHOR BRONZE	CONTACT AREA : GOLD 0.2μm min. DIP AREA : TIN-PLATING 2μm min. UNDER PLATING : NICKEL 2μm min.
UNITS	MATERIAL	FINISH . REMARKS	NO.	MATERIAL	FINISH . REMARKS
mm					
SCALE	COUNT	DESCRIPTION OF REVISIONS	DESIGNED	CHECKED	DATE
2 : 1					
APPROVED : HS. OKAWA		07.08.08		DRAWING NO. EDC3-083182-21	
CHECKED : HS. OZAWA		07.08.07		PART NO. FX2C-52S-1.27DSA(71)	
DESIGNED : KY. NAKAMURA		07.08.07		CODE NO. CL572-2404-5-71	
DRAWN : TP. MATSUMOTO		07.08.06			



HIROSE ELECTRIC CO., LTD.