



Chipsmall Limited consists of a professional team with an average of over 10 year of expertise in the distribution of electronic components. Based in Hongkong, we have already established firm and mutual-benefit business relationships with customers from,Europe,America and south Asia,supplying obsolete and hard-to-find components to meet their specific needs.

With the principle of “Quality Parts,Customers Priority,Honest Operation,and Considerate Service”,our business mainly focus on the distribution of electronic components. Line cards we deal with include Microchip,ALPS,ROHM,Xilinx,Pulse,ON,Everlight and Freescale. Main products comprise IC,Modules,Potentiometer,IC Socket,Relay,Connector.Our parts cover such applications as commercial,industrial, and automotives areas.

We are looking forward to setting up business relationship with you and hope to provide you with the best service and solution. Let us make a better world for our industry!



Contact us

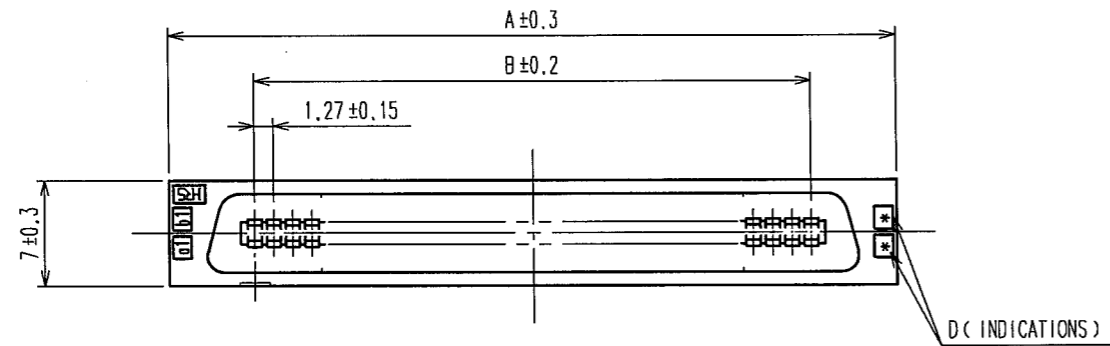
Tel: +86-755-8981 8866 Fax: +86-755-8427 6832

Email & Skype: info@chipsmall.com Web: www.chipsmall.com

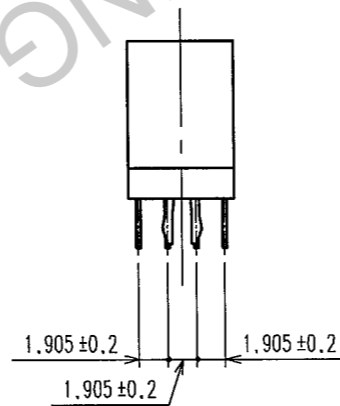
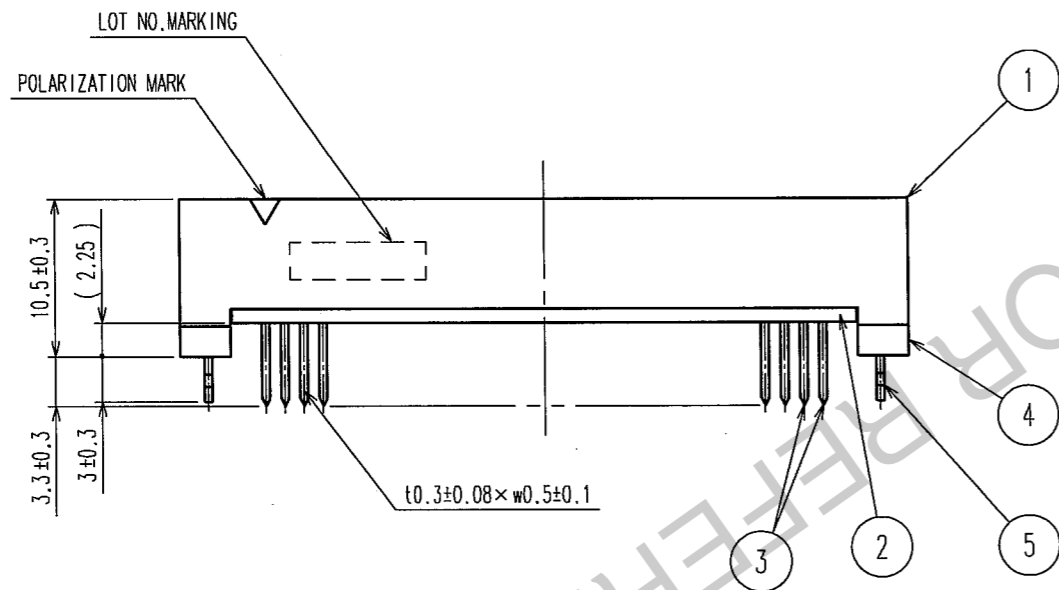
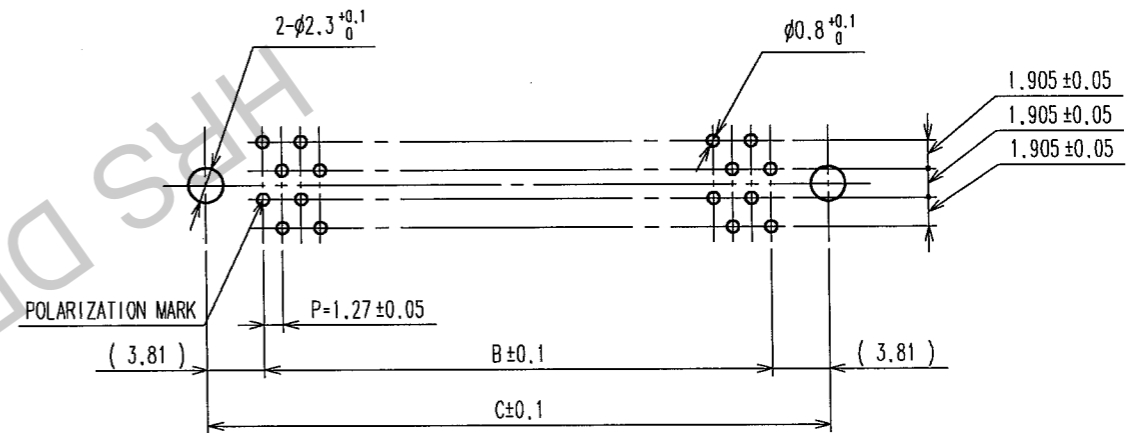
Address: A1208, Overseas Decoration Building, #122 Zhenhua RD., Futian, Shenzhen, China



5					6					7					8				
COUNT	DESCRIPTION OF REVISIONS				BY	CHKD	DATE	COUNT	DESCRIPTION OF REVISIONS				BY	CHKD	DATE				
△							..	△							..				
△							..	△							..				
△							..	△							..				



RECOMMEND PC BOARD HOLE PATTERN (MOUNTING SIDE)
t=1.6



PART No.	CODE No.	2	A	B	C	D
FX2C2-20P-1.27DSAL (71)	CL572-2271-3-71	20	22.75	11.43	19.05	10
FX2C2-32P-1.27DSAL (71)	CL572-2272-6-71	32	30.37	19.05	26.67	16
FX2C2-40P-1.27DSAL (71)	CL572-2273-9-71	40	35.45	24.13	31.75	20
FX2C2-52P-1.27DSAL (71)	CL572-2274-1-71	52	43.07	31.75	39.37	26
FX2C2-60P-1.27DSAL (71)	CL572-2275-4-71	60	48.15	36.83	44.45	30
FX2C2-68P-1.27DSAL (71)	CL572-2276-7-71	68	53.23	41.91	49.53	34
FX2C2-80P-1.27DSAL (71)	CL572-2277-0-71	80	60.85	49.53	57.15	40
FX2C2-100P-1.27DSAL (71)	CL572-2278-2-71	100	73.55	62.23	69.85	50
FX2C2-120P-1.27DSAL (71)	CL572-2279-5-71	120	86.25	74.93	82.55	60

NOTES 1. THE DIMENSIONS IN PARENTHESES ARE FOR REFERENCE.
2. NUMBER OF PIN.

5	PHOSPHOR BRONZE	TIN-PLATING	3	PHOSPHOR BRONZE	CONTACT AREA:GOLD 0.2μ m min
4	POLYAMIDE	BLACK UL94V-0			DIP AREA:TIN-PLATING 2μ m min
1,2	POLYAMIDE	BLACK UL94V-0			UNDER PLATING:NICKEL 2μ m min
NO.	MATERIAL	FINISH, REMARKS	NO.	MATERIAL	FINISH, REMARKS

CODE NO. (OLD)	DRAWN	DESIGNED	CHECKED	APPROVED	RELEASED
CL	I.OKAYAMA	K.NAKAMURA	H.OKAWA	H.OKAWA	
	04.06.02	04.06.02	04.06.09	04.06.09	

SCALE	DRAWING NO.	PART NO.
FREE	EDC3-083050-21	FX2C2-***P-1.27DSL (71)
UNITS	HIROSE ELECTRIC CO., LTD	CODE NO.
mm		CL572

TO PCK