



Chipsmall Limited consists of a professional team with an average of over 10 year of expertise in the distribution of electronic components. Based in Hongkong, we have already established firm and mutual-benefit business relationships with customers from,Europe,America and south Asia,supplying obsolete and hard-to-find components to meet their specific needs.

With the principle of "Quality Parts,Customers Priority,Honest Operation,and Considerate Service",our business mainly focus on the distribution of electronic components. Line cards we deal with include Microchip,ALPS,ROHM,Xilinx,Pulse,ON,Everlight and Freescale. Main products comprise IC,Modules,Potentiometer,IC Socket,Relay,Connector.Our parts cover such applications as commercial,industrial, and automotives areas.

We are looking forward to setting up business relationship with you and hope to provide you with the best service and solution. Let us make a better world for our industry!



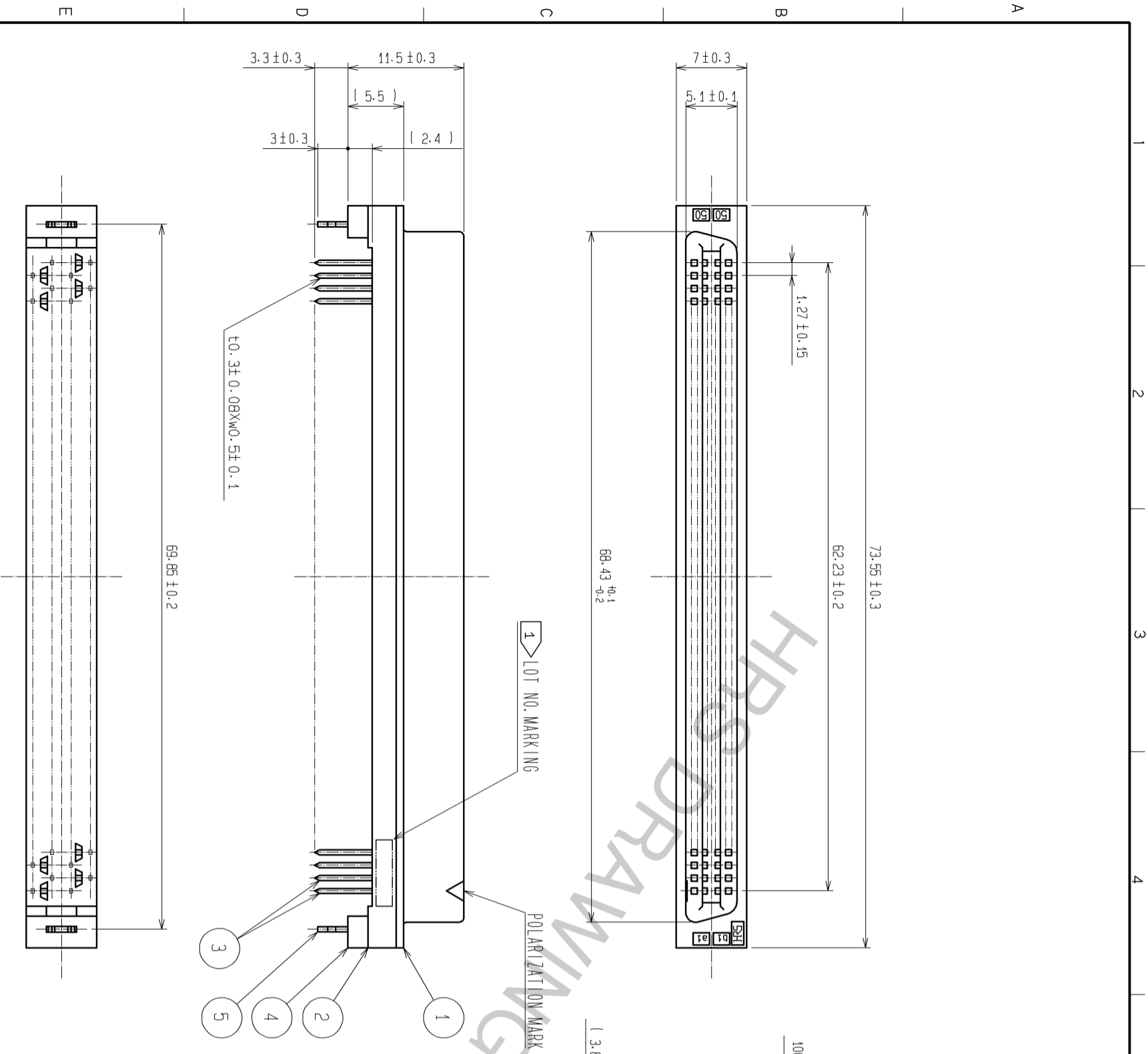
Contact us

Tel: +86-755-8981 8866 Fax: +86-755-8427 6832

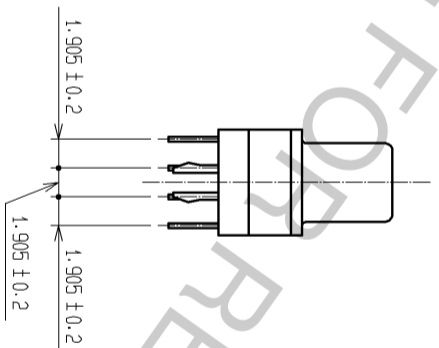
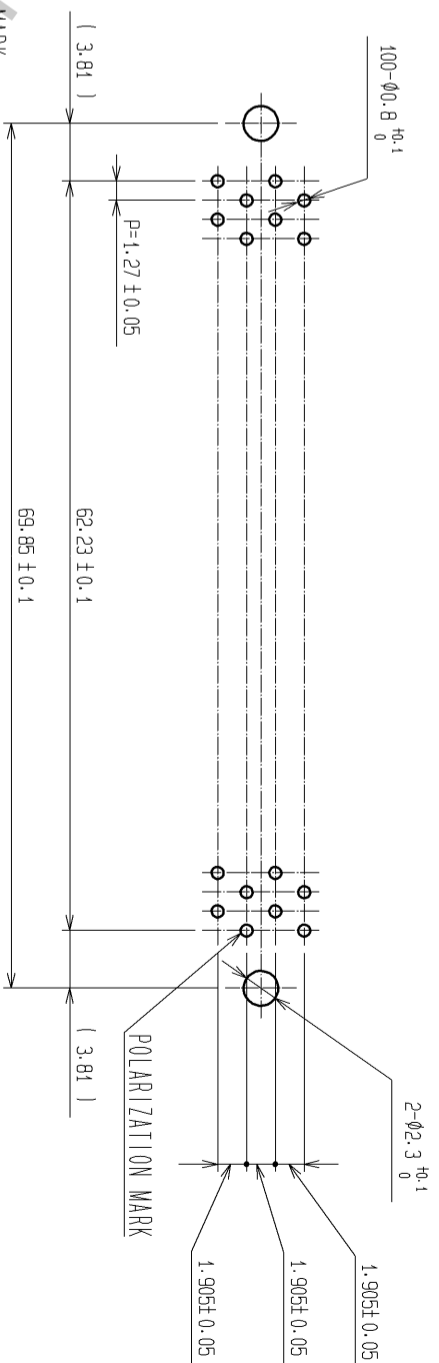
Email & Skype: info@chipsmall.com Web: www.chipsmall.com

Address: A1208, Overseas Decoration Building, #122 Zhenhua RD., Futian, Shenzhen, China





RECOMMENDED PC BOARD HOLE PATTERN (MOUNTING SIDE)
(FREE) t = 1.6



NOTES
1 > LOT NO. MARKING SIDE SHALL BE OPTIONAL.
2. THE DIMENSIONS IN PARENTHESES ARE FOR REFERENCE.

5	PHOSPHOR BRONZE	TIN-PLATING	3	PHOSPHOR BRONZE	CONTACT AREA : GOLD 0.2 μ m min.
1.2.4	POLYAMIDE	BLACK, UL94V-0			DIP AREA : TIN-PLATING 2 μ m min.
NO.	MATERIAL	FINISH . REMARKS	NO.	MATERIAL	UNDER PLATING : NICKEL 2 μ m min.
UNITS	SCALE	COUNT	DESCRIPTION OF REVISIONS	DESIGNED	FINISH . REMARKS
mm	2 : 1			CHECKED	DATE
				APPROVED : HS. OKAWA	07.08.22
				CHECKED : HS. OZAWA	07.08.22
				DESIGNED : KY. NAKAMURA	07.08.22
				DRAWN : TP. MATSUMOTO	07.08.10
					EDC3-083226-21
					FX2C2-100S-1.27DSAL(71)
					CL572-2478-1-71