



Chipsmall Limited consists of a professional team with an average of over 10 year of expertise in the distribution of electronic components. Based in Hongkong, we have already established firm and mutual-benefit business relationships with customers from,Europe,America and south Asia,supplying obsolete and hard-to-find components to meet their specific needs.

With the principle of “Quality Parts,Customers Priority,Honest Operation,and Considerate Service”,our business mainly focus on the distribution of electronic components. Line cards we deal with include Microchip,ALPS,ROHM,Xilinx,Pulse,ON,Everlight and Freescale. Main products comprise IC,Modules,Potentiometer,IC Socket,Relay,Connector.Our parts cover such applications as commercial,industrial, and automotives areas.

We are looking forward to setting up business relationship with you and hope to provide you with the best service and solution. Let us make a better world for our industry!



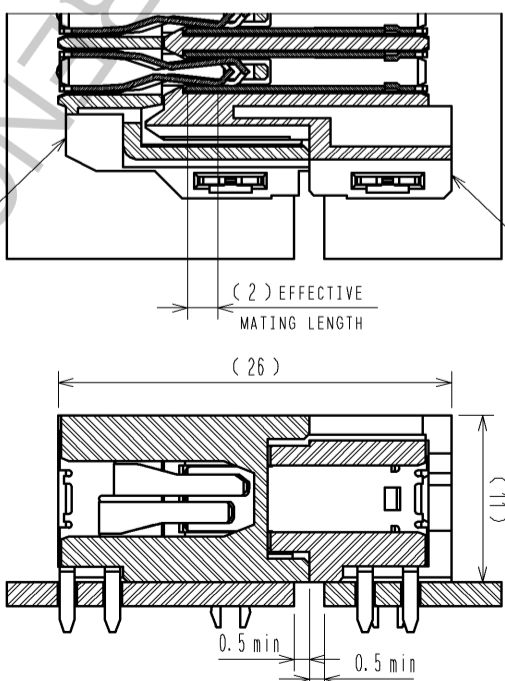
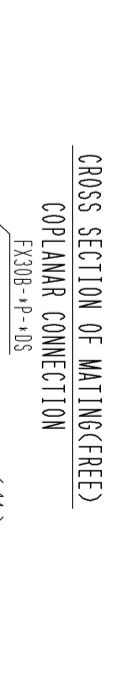
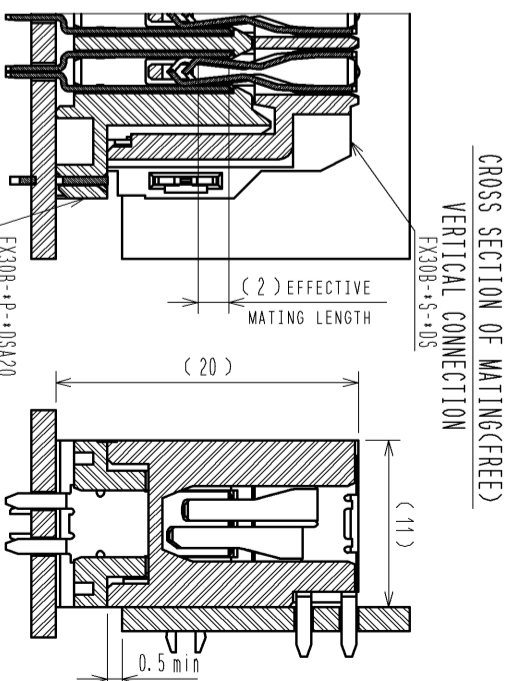
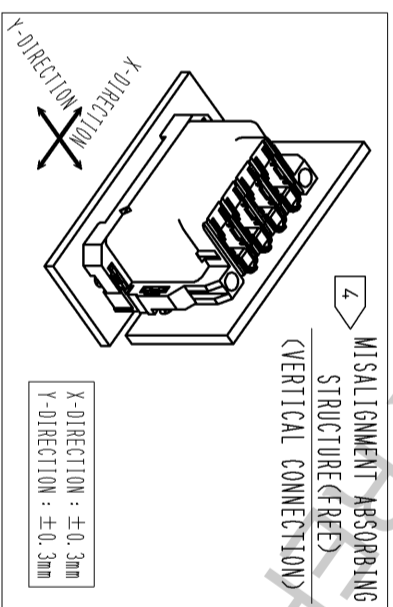
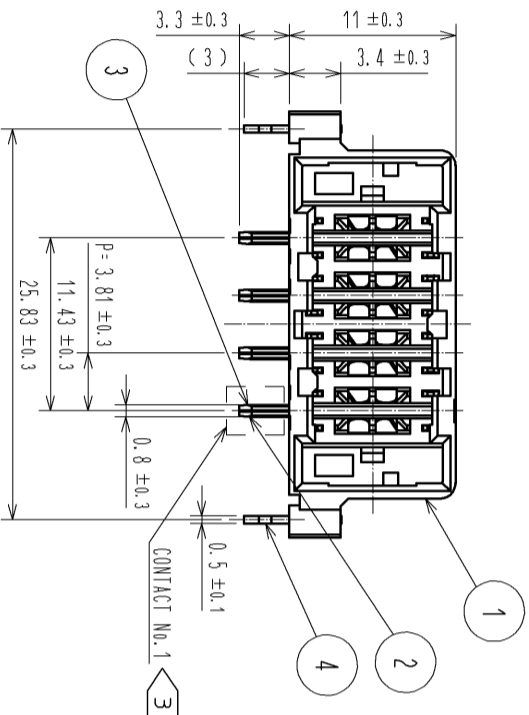
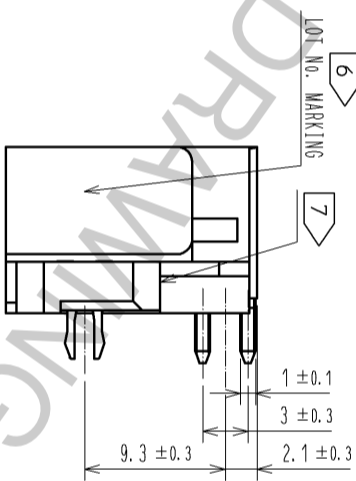
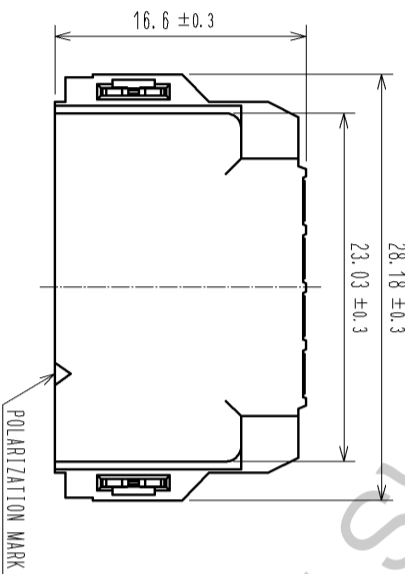
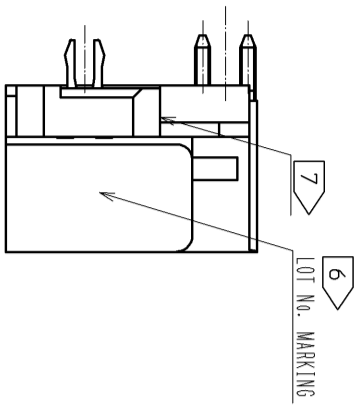
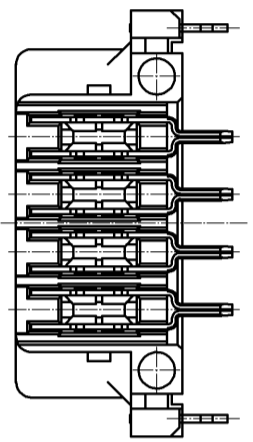
## Contact us

Tel: +86-755-8981 8866 Fax: +86-755-8427 6832

Email & Skype: info@chipsmall.com Web: www.chipsmall.com

Address: A1208, Overseas Decoration Building, #122 Zhenhua RD., Futian, Shenzhen, China





NOTE 1 THIS PRODUCT IS PACKAGED IN TRAY (30PCS/TRAY)

2 BLEMISH AND HIT MARK CAN BE OCCURED THROUGH OUT THE MANUFACTURING PROCESS WHICH DOESN'T AFFECT QUALITY LEVEL.

3 ALSO, BLACK SPOT COULD BE OBSERVED ON THE SURFACE OF HOUSING. FOR THE CONTACT NO., ADJACENT TWO PAIRS OF LEADS PLACED BACK-TO-BACK (4 LEADS IN TOTAL) COMPOSE ONE LINE.

4 MISALIGNMENT ABSORBING RANGE: ± 0.3mm MAX.

5 THE DIMENSION IN PARENTHESES ARE FOR REFERENCES.

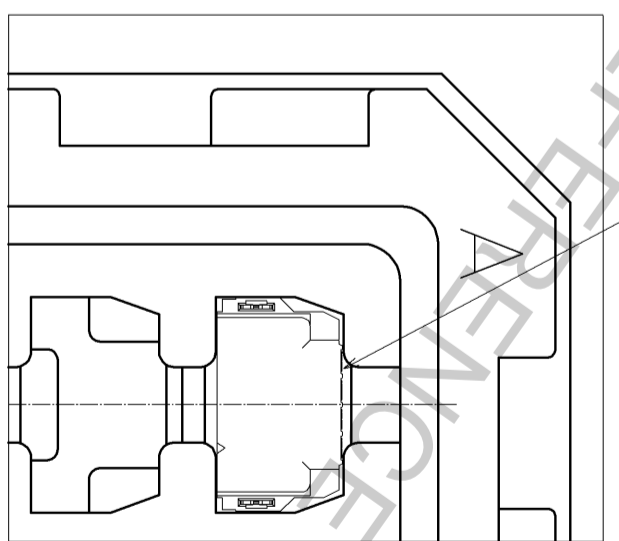
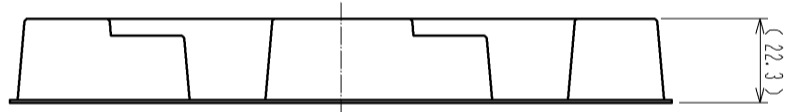
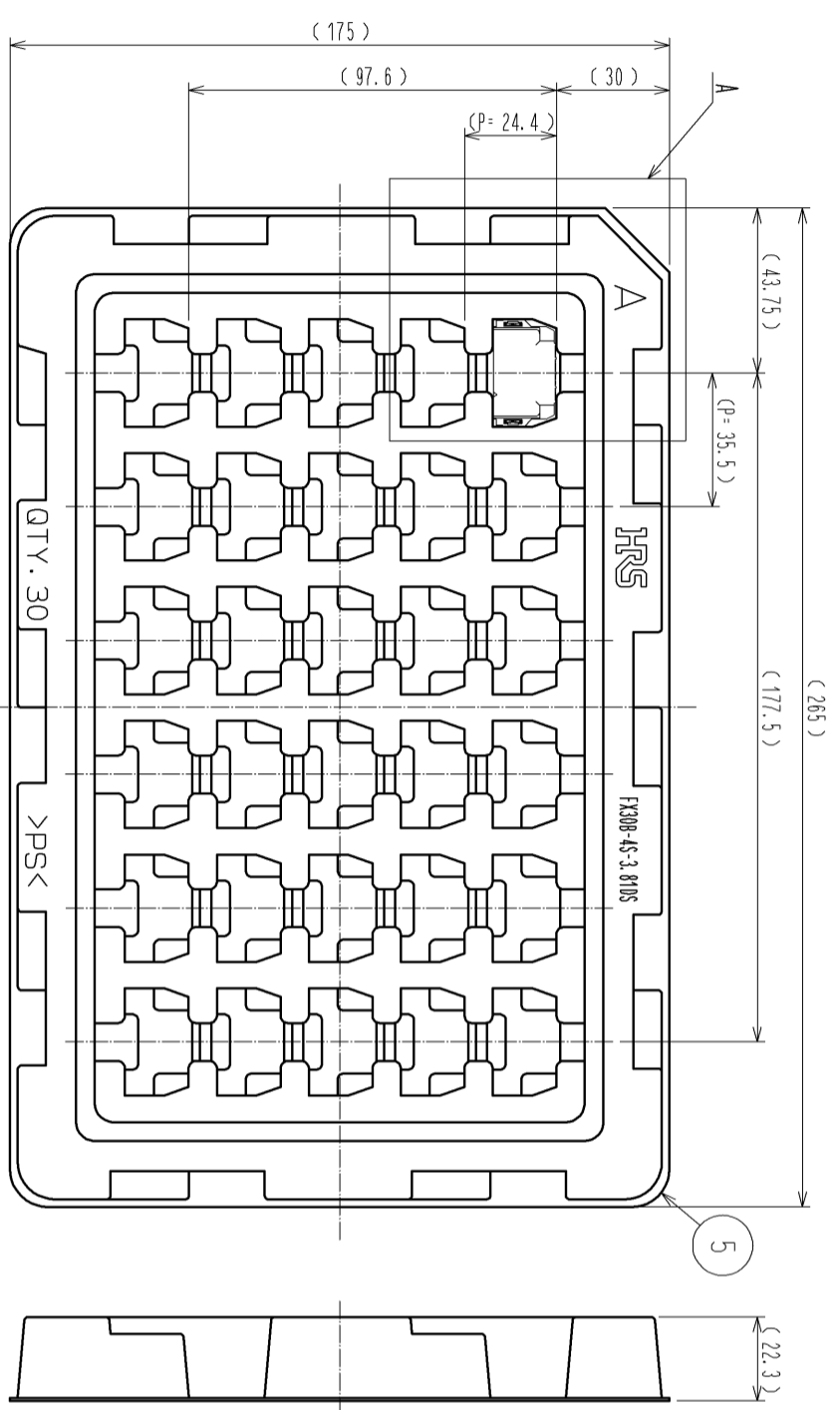
6 LOT NO. IS INDICATED AT EITHER ONE OF THE POSITION AS SHOWN.

7 POSSIBLE SHORT SHOT AND/OR BURR AT THE INDICATED AREA DOES NOT AFFECT THE PRODUCT QUALITY.

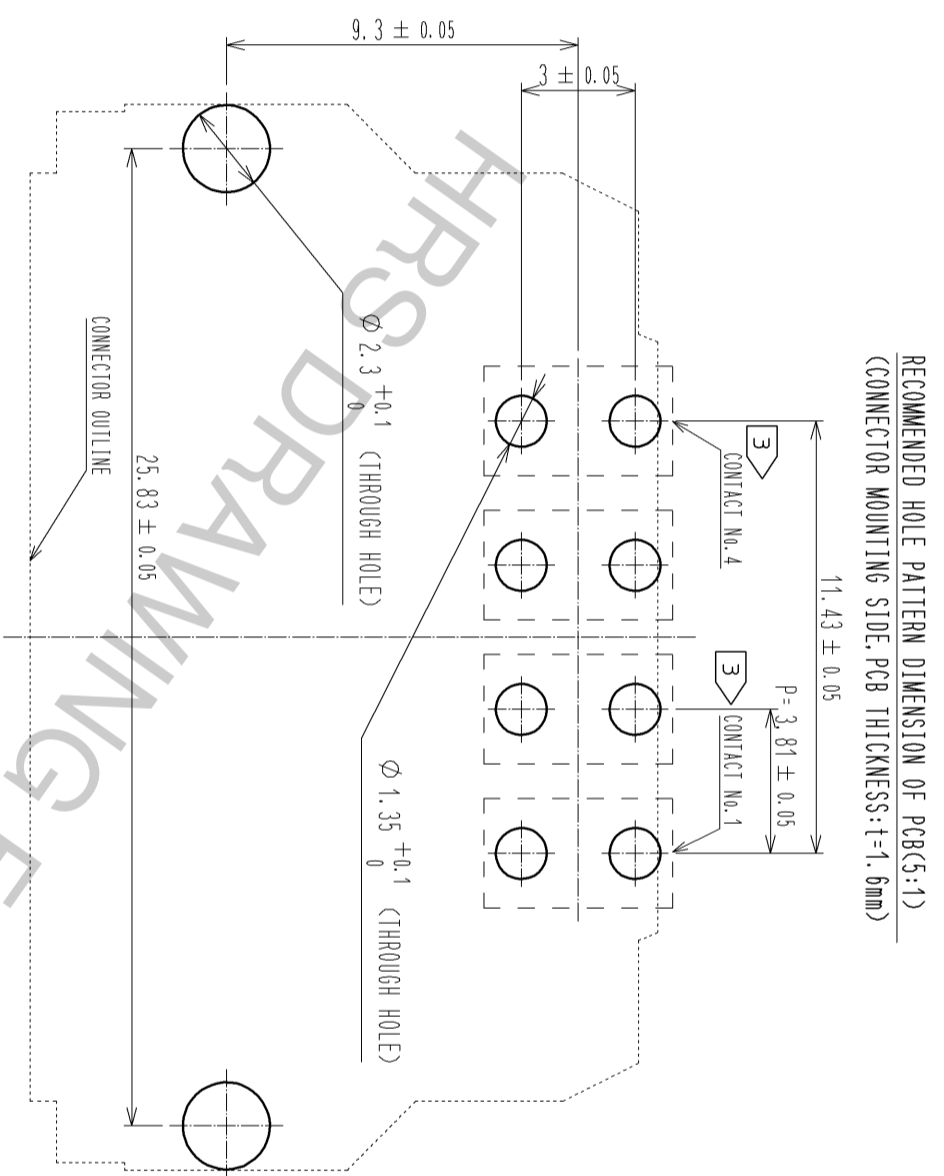
NO.	MATERIAL	FINISH	REMARKS	NO.	MATERIAL	FINISH	REMARKS
1	POLYAMIDE	BLACK UL94V-0		3	COPPER ALLOY	UNDER PLATING:NICKEL 1.0µm	
2	COPPER ALLOY	CONTACT AREA:GOLD-PLATING 0.1µm LEAD AREA:TIN-PLATING 1.0µm UNDER PLATING:NICKEL 1.0µm		4	PHOSPHOR BRONZE	TIN-PLATING 3.0µm UNDER PLATING:NICKEL 1.0µm	
5	POLYSTYRENE						

UNITS	SCALE	COUNT	DESCRIPTION OF REVISIONS	DESIGNED	CHECKED	DATE
mm	2 : 1					
			APPROVED : HS. OKAWA CHECKED : KI. HIROKAWA DESIGNED : DK. AIMOTO DRAWN : DK. AIMOTO	13.03.13 13.03.12 13.03.11 13.03.11	EDC3-347278-00 FX30B-4S-3.81DS CL570-3602-1-00	1 2

FORM HC0011-5-8-AN



1 DRAWING FOR PACKAGING(1:2)



RECOMMENDED HOLE PATTERN DIMENSION OF PCB(S:1)  
(CONNECTOR MOUNTING SIDE, PCB THICKNESS:t=1.6mm)

A(1:1)

<b>HRS</b>	
DRAWING NO.	EDC3-347278-00
PART NO.	FX30B-4S-3.81DS
CODE NO.	CL570-3602-1-00
	2/2