



Chipsmall Limited consists of a professional team with an average of over 10 year of expertise in the distribution of electronic components. Based in Hongkong, we have already established firm and mutual-benefit business relationships with customers from,Europe,America and south Asia,supplying obsolete and hard-to-find components to meet their specific needs.

With the principle of “Quality Parts,Customers Priority,Honest Operation,and Considerate Service”,our business mainly focus on the distribution of electronic components. Line cards we deal with include Microchip,ALPS,ROHM,Xilinx,Pulse,ON,Everlight and Freescale. Main products comprise IC,Modules,Potentiometer,IC Socket,Relay,Connector.Our parts cover such applications as commercial,industrial, and automotives areas.

We are looking forward to setting up business relationship with you and hope to provide you with the best service and solution. Let us make a better world for our industry!



Contact us

Tel: +86-755-8981 8866 Fax: +86-755-8427 6832

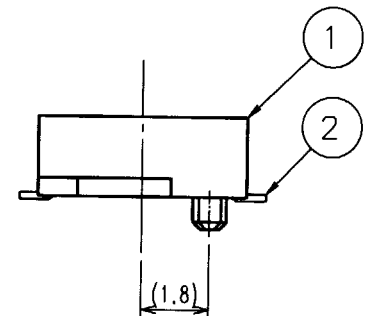
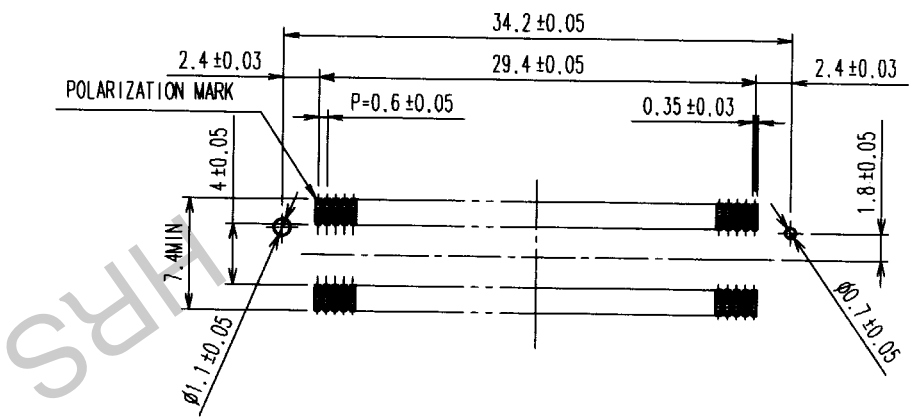
Email & Skype: info@chipsmall.com Web: www.chipsmall.com

Address: A1208, Overseas Decoration Building, #122 Zhenhua RD., Futian, Shenzhen, China

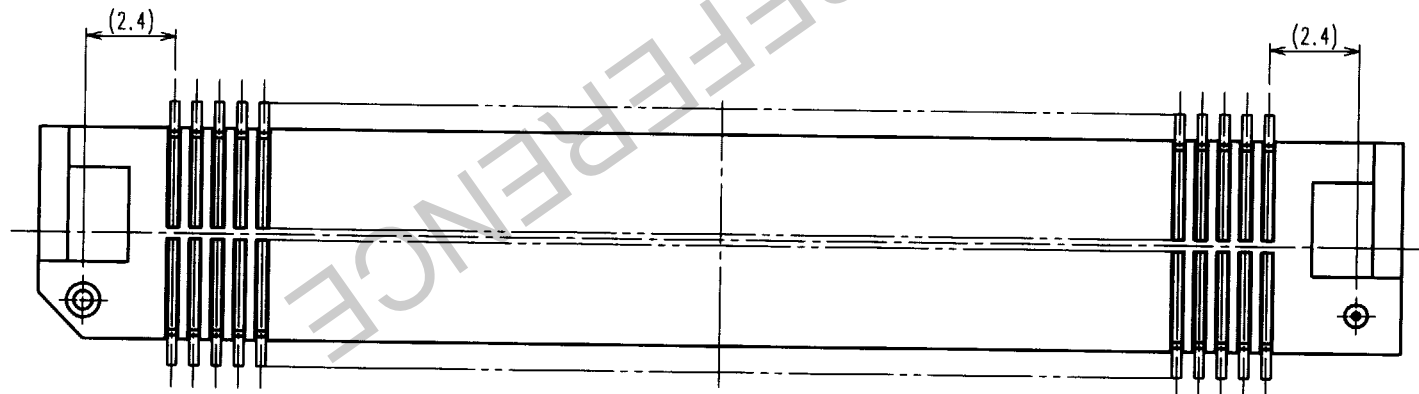
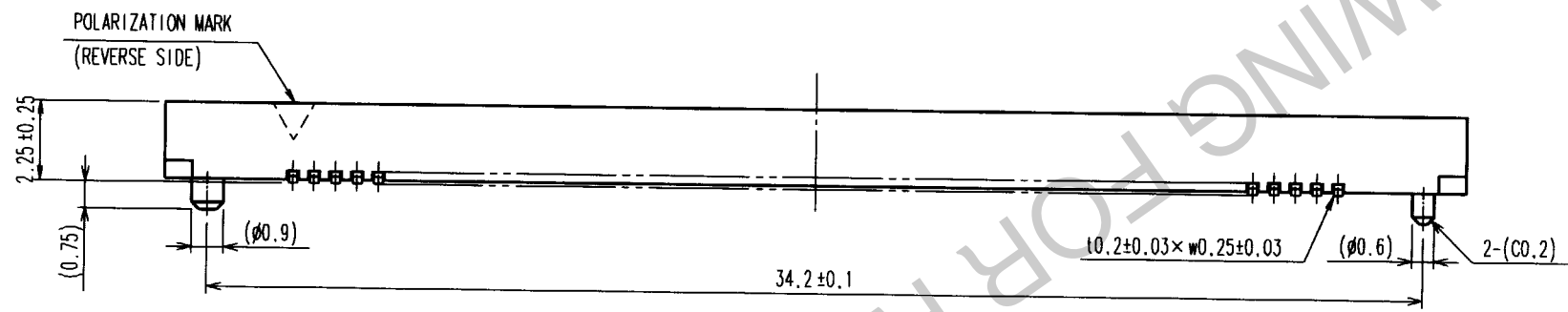
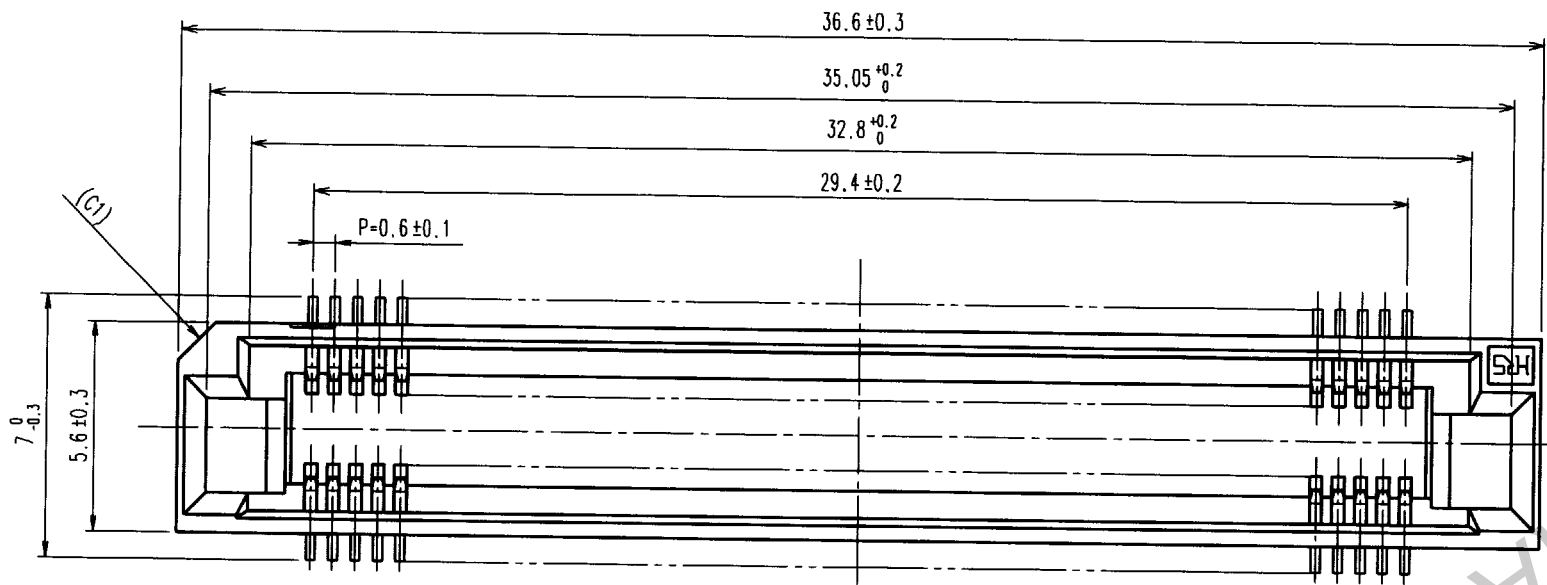


COUNT	DESCRIPTION OF REVISIONS	BY	CHKD	DATE	COUNT	DESCRIPTION OF REVISIONS	BY	CHKD	DATE

RECOMMENDED LAND PATTERN DIMENSION OF PCB (MOUNTING SIDE) (2:1)



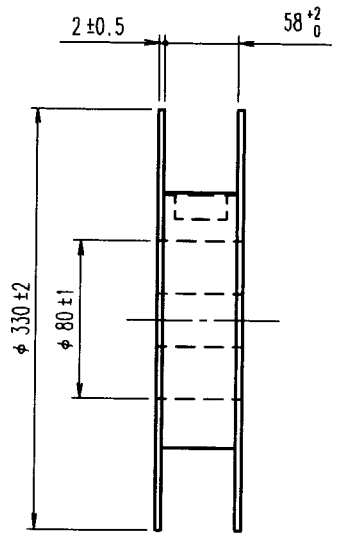
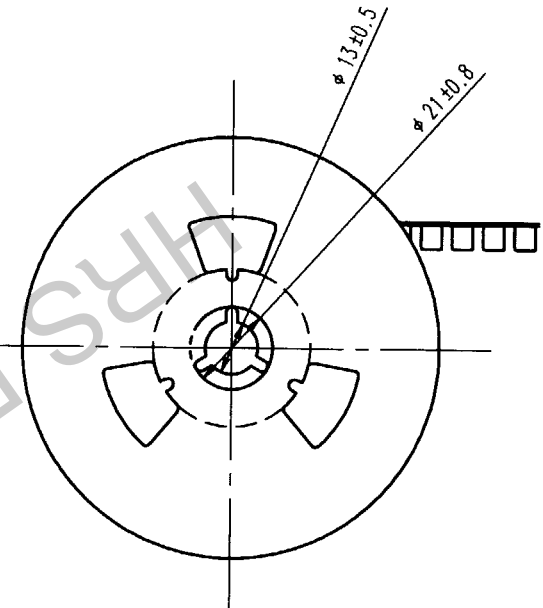
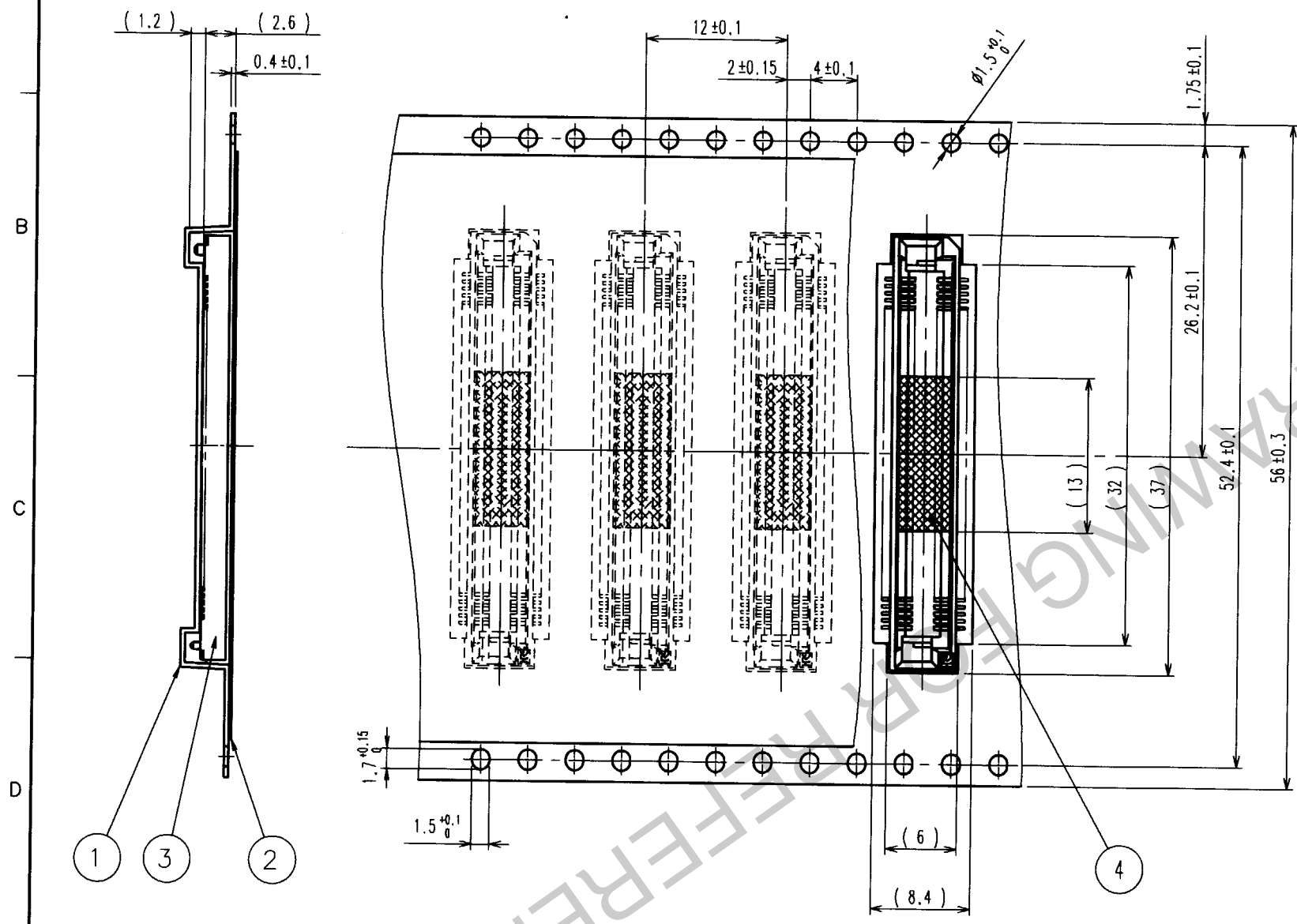
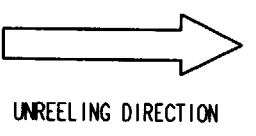
- NOTE
1. LEAD CO-PLANARITY SHALL BE 0.1mm.
 2. EMBOSSED CARRIER TAPE PACKAGING SHALL BE APPLIED FOR THIS PRODUCT. SEE SHEET 2/2 FOR DETAILS.
 3. THIS PRODUCT HAS TAPE FOR VACUUM PICKUP. SEE SHEET 2/2 FOR DETAILS OF STICKING POSITION ,ETC.
 4. FOR MODIFICATION ,ETC., PREVENTIVE HOLE FOR SINK MARK MAY BE ADDED ACCORDING TO CIRCUMSTANCES.



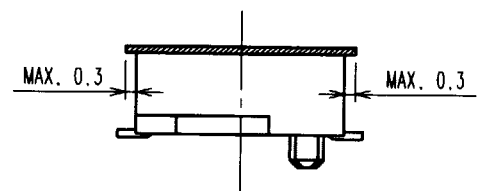
TO
PCK

1	PPS	LIGHT BROWN	UL94V-0	2	PHOSPHOR BRONZE	CONTACT AREA: GOLD PLATED (0.1μm) OVER NICKEL	
NO.		MATERIAL		FINISH, REMARKS		THE OTHER AREA: GOLD PLATED (FLASH) OVER NICKEL	
CODE NO.(OLD) CL				DRAWN	DESIGNED	CHECKED	APPROVED
				H. Kiriya	H. Yamaguchi	H. Kawa	J. Yoshimura
				01.04.24	01.04.25	01.04.25	01.04.25
DRAWING NO. EDC3-150676-01				PART NO. FX8-100S-SV(23)			
SCALE 5 : 1				CODE NO. CL578-0205-6-23			
UNITS mm				HIROSE ELECTRIC CO., LTD			

COUNT	DESCRIPTION OF REVISIONS	BY	CHKD	DATE	COUNT	DESCRIPTION OF REVISIONS	BY	CHKD	DATE

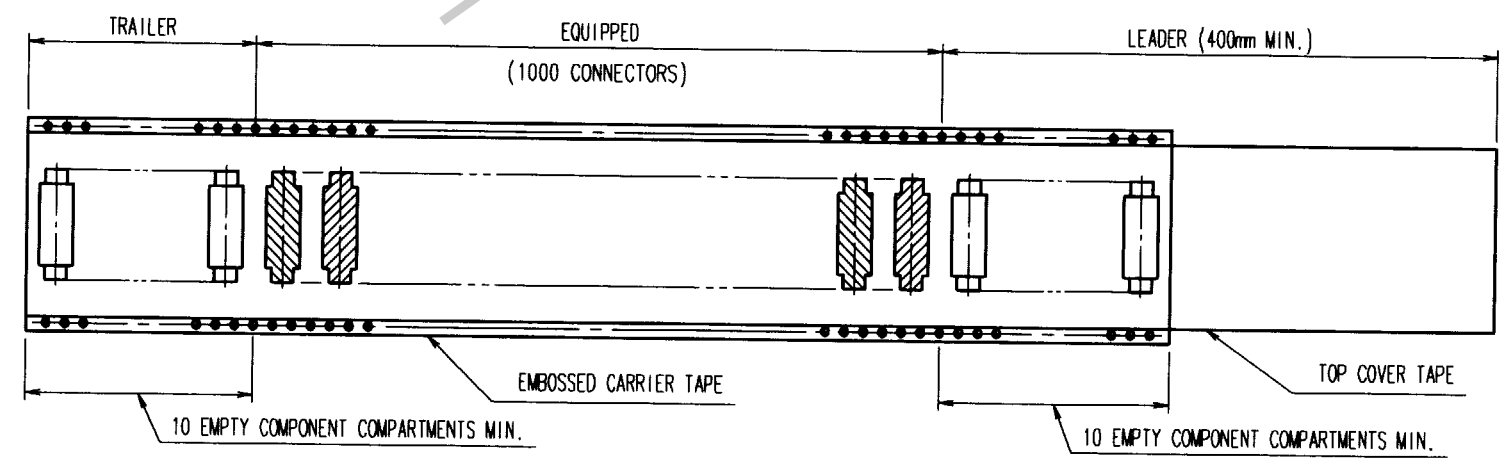


REELED DIMENSION (FREE)



DETAIL FOR TAPE VACUUM PICKUP (5:1)

NOTE 1. 1 REEL:1000 CONNECTORS



2	POLYESTER	TOP COVER TAPE	4	POLYIMIDE	(TAPE FOR VACUUM PICKUP)
1	PET	EMBOSSED CARRIER TAPE	3		(CONNECTORS)
NO.	MATERIAL	FINISH, REMARKS	NO.	MATERIAL	FINISH, REMARKS
CODE NO. (OLD) CL		DRAWN K. Kiriyu 01.04.24	DESIGNED H. Yamaguchi 01.04.25	CHECKED H. Okawa 01.04.25	APPROVED T. Yoshimura 01.04.25
SCALE 2 : 1		DRAWING NO. EDC3-150676-01		PART NO. FX8-100S-SV(23)	
UNITS mm		HIROSE ELECTRIC CO., LTD		CODE NO. CL578-0205-6-23	2

TO
PCK