



Chipsmall Limited consists of a professional team with an average of over 10 year of expertise in the distribution of electronic components. Based in Hongkong, we have already established firm and mutual-benefit business relationships with customers from,Europe,America and south Asia,supplying obsolete and hard-to-find components to meet their specific needs.

With the principle of “Quality Parts,Customers Priority,Honest Operation,and Considerate Service”,our business mainly focus on the distribution of electronic components. Line cards we deal with include Microchip,ALPS,ROHM,Xilinx,Pulse,ON,Everlight and Freescale. Main products comprise IC,Modules,Potentiometer,IC Socket,Relay,Connector.Our parts cover such applications as commercial,industrial, and automotives areas.

We are looking forward to setting up business relationship with you and hope to provide you with the best service and solution. Let us make a better world for our industry!



Contact us

Tel: +86-755-8981 8866 Fax: +86-755-8427 6832

Email & Skype: info@chipsmall.com Web: www.chipsmall.com

Address: A1208, Overseas Decoration Building, #122 Zhenhua RD., Futian, Shenzhen, China



NEW

OMRON

Vision Sensors for Pick & Place

FZM1-series

High speed and Precise Positioning



EtherCAT®

» High-speed Processing

» Superior Detection Stability

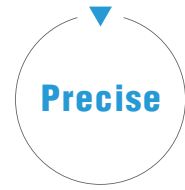
» Easy Set-up of Connectivity and Quick Startup

realizing

Vision - tailored for pick & place

The Omron Vision Sensor FZM1 is optimized to detect in high speed and high accuracy the position and orientation of any object inside a machine. This helps to increase the production efficiency.

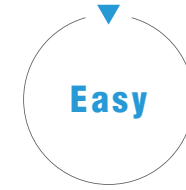
New generation image processing technologies and an intuitive user interface optimized for positioning applications. High speed communication via EtherCAT or UDP enables an easy interworking with motion components from Omron and other vendors. This increases the overall performance from positioning through control.



Increased Yield

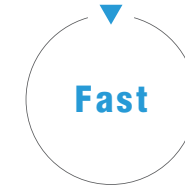
Stable inspections under challenging environmental conditions. Increase productivity and don't care about:

- differences of the work piece
- dust and dirt
- changing ambient environment



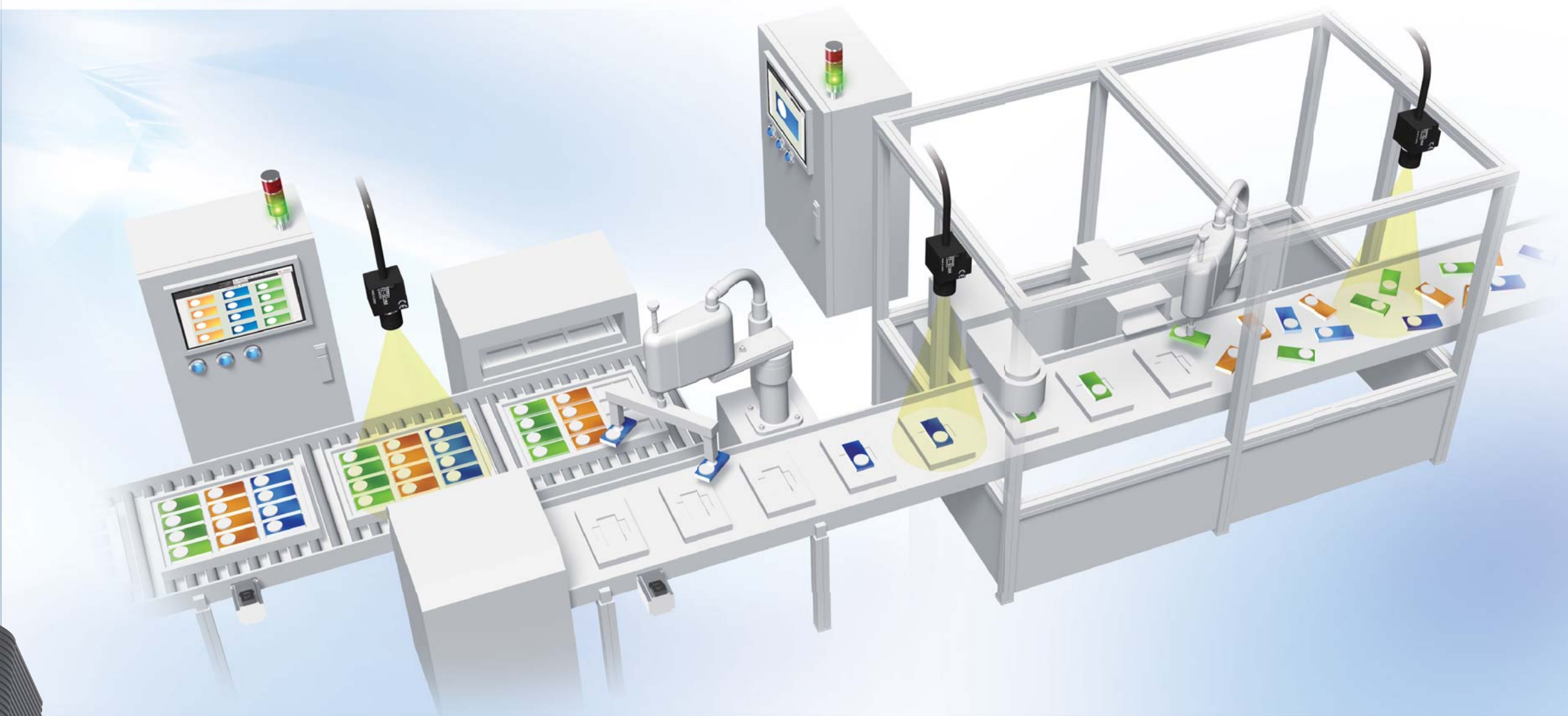
Reduce the cost of operation

Omron FZM1 does not require troublesome configuration and calculation for positioning. Interactive menus and automatic calculations enable an easy setup for the connection to motion devices.



Increased Throughput

High speed image acquisition and processing optimized for positioning tasks is supported by FZM1. This enables non-stop, undelayed positioning, which means Vision is not limiting anymore, the overall production speed.



Stable Measurements Under Changing Conditions

More-robust operation means less stopping for detection mistakes and increased yield. This more than meets on-site needs and increases system performance.



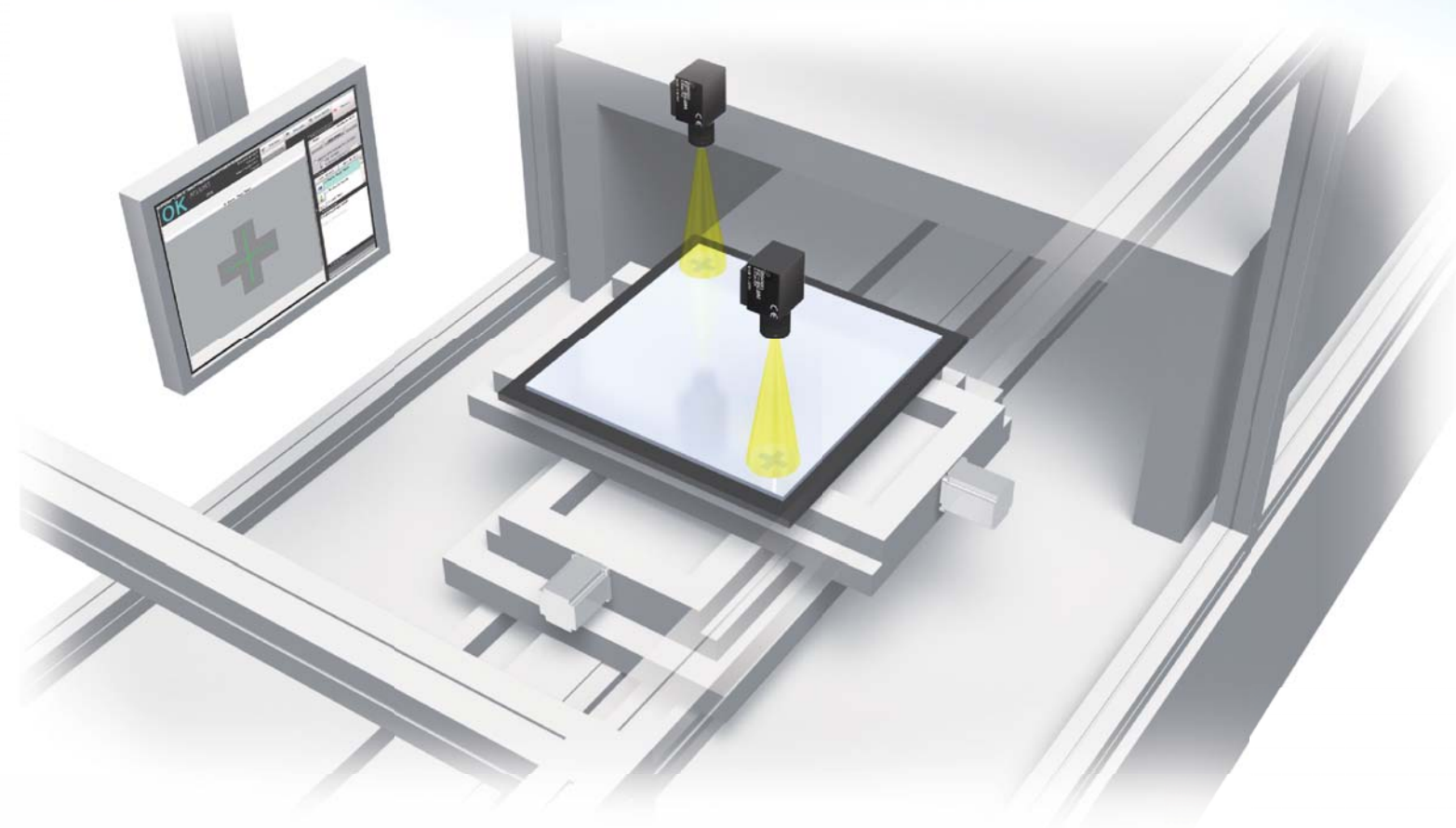
[Detecting Alignment Marks with Light Interference]



Previously
Position incorrectly detected.



FZM1
Position detected accurately.

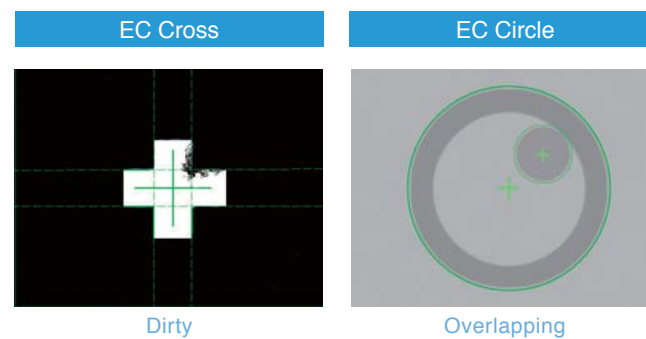


Highest Detection Performance in the Industry

Optimized processing items for positioning have been included to handle a wide range of measurement objects. Just select the right processing item for the target object to enable stable inspection without complicated calculations and settings.

Positioning with Alignment Marks

The alignment marks commonly used in manufacturing of LCD panels and PCBs can be precisely detected. Accurate detection is possible even if the marks are dirty or partially hidden.

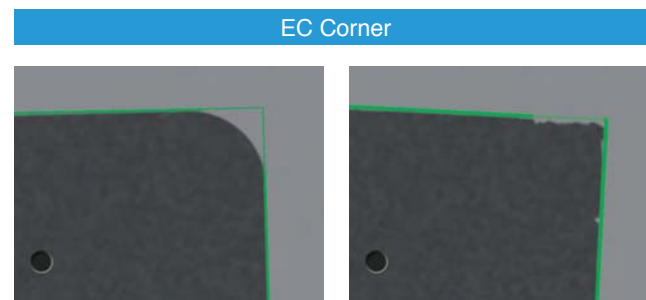


Dirty

Overlapping

Positioning with Corner Detection

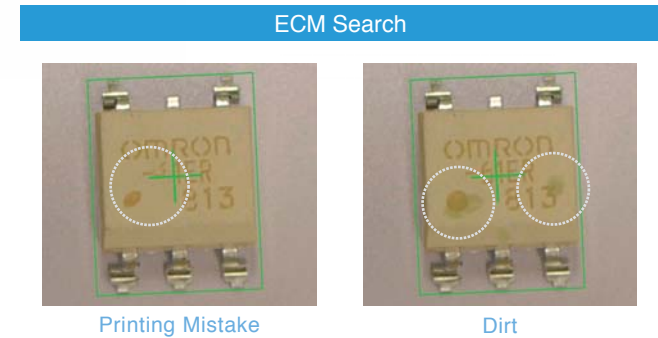
Positioning can be performed by detecting a corner of the measurement object. Now, stable detection is possible even for rounded corners or when the edge is broken. This is ideal for glass plates, LCDs and other objects on which alignment marks cannot be printed.



Rounded or Broken Corner

Positioning by Shape of object

When picking electronic components or food items, unclear printing and dirt can make stable inspections impossible. FZM1 can identify the position and orientation of objects from their shapes. The use of ECM search processing enables precise position and attitude measurements without being affected by surface conditions.



Printing Mistake

Dirt

Superior Performance Under Severe Conditions

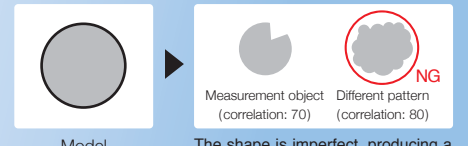
EC: Edge Code

Image Processing Technique

patent number 11-550303

Conventional search processing and pattern matching detect objects based on density differences or feature points registered on model images. This produced unstable detection when the measurement object was changed or the shape was not consistent. With EC image processing, the measurement object is recognized as a geometric shape to minimize offsets in the detection position caused by light interference or dirt. This achieves stable, accurate position detection.

Conventional Search Processing



The shape is imperfect, producing a low correlation. Dirt of the same size and color within the measurement region is incorrectly detected.

EC Image Processing



Changes in brightness are recognized as an edge code and geometric calculations determine the center of the circle and circumference edge. Even if the circle is broken, it is recognized as a circle, i.e., as the measurement object. Dirt and other abnormalities in the measurement region are differentiated so that they are not falsely detected.

Easy

Get Relief from the Difficulties of Positioning

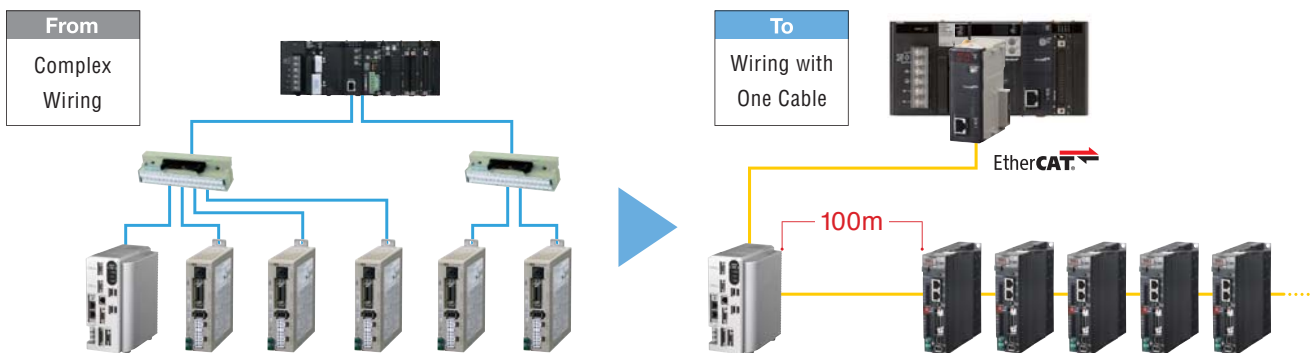
Wiring and Design

Next-generation High-speed Communications with EtherCAT

Support for the EtherCAT open network enables realtime remote I/O control. Connect to OMRON PLCs or other EtherCAT components through EtherCAT communications to perform high-speed motion control.

Less Wiring with Ethernet Cables

All trigger inputs and result outputs are performed using only an Ethernet cable. This eliminates wasted wiring work and helps prevent wiring mistakes when launching the system. With EtherCAT you can wire up to 100 m without a repeater to easily connect to Vision Sensors and Servo Drives.



Reduced Ladder Programming

The PLC Link function communicates using three link areas: the command area, response area, and data output area. The PLC can control communications with the sensor simply by reading and writing words allocated in the I/O memory in the PLC. This greatly reduces the amount of ladder programming required for communications.



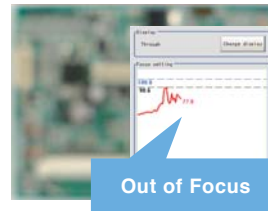
What is EtherCAT?

EtherCAT is an open network based on Ethernet that enables realtime control. It is ideal for machine-control networks that include motion control. EtherCAT provides the operating principles and architecture required to achieve ultra-high-speed sync control and a bus topology that provides wiring efficiency. It solves the traditional complex wiring problems of Ethernet, which required many hubs and switches. OMRON applies EtherCAT to the high-speed, high-precision machine control networks required in FA sites, and will be releasing more EtherCAT products in the future.

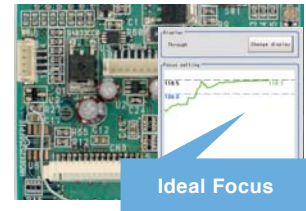
Camera Adjustments

Focus and Aperture Adjustments

Focus and brightness, which use to be adjusted based on experience and instinct, have been expressed numerically and displayed in graphs so that you can literally see them. The ideal focus and aperture can be adjusted quickly by essentially anyone. Variations between different operators are eliminated and greater inspection precision can be achieved.



Out of Focus



Ideal Focus

Coordinate Conversions

Simple Auto Calibration

The Vision Sensor provides a coordinate conversion function for different stages and robots. Coordinates can be converted for the Vision Sensor and output device without troublesome calculations.

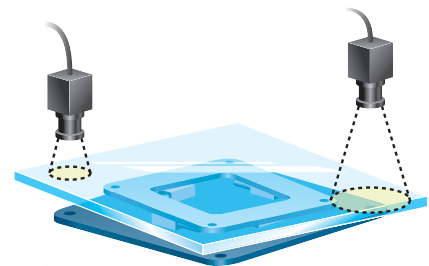
Handles Various Stages and Robots

Robot control	XY,XYθ
Stage control	XYθ,θXY,UVW,UVWR

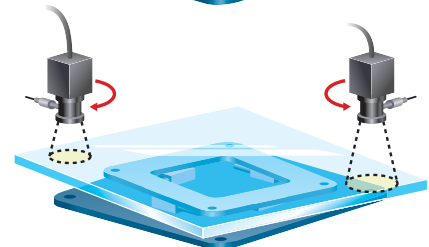
Flexible Camera Mounting

There are no Camera mounting restrictions even with alignment systems that use two Cameras. Differences between Camera angles and fields of vision can be calculated and coordinates converted without performing complex calculations in a PLC or other external device.

Use Different Fields of Vision

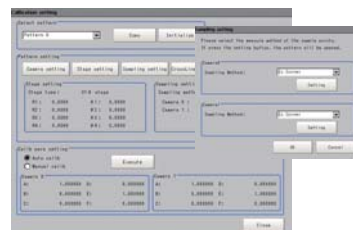


Mount at Any Angle



Easy Setup and configuration by an Application Wizard

Calibration between the Cameras and stage or robot can be easily set up using a wizard. Simply select the type of inspection to easily generate the calibration parameters. Automatically input sampling data from an external device via EtherCAT or UDP to eliminate mistakes that can occur in manual input. Fine-tuning can also be quickly and accurately performed for production changes or adjustments of the setup is required on-site.

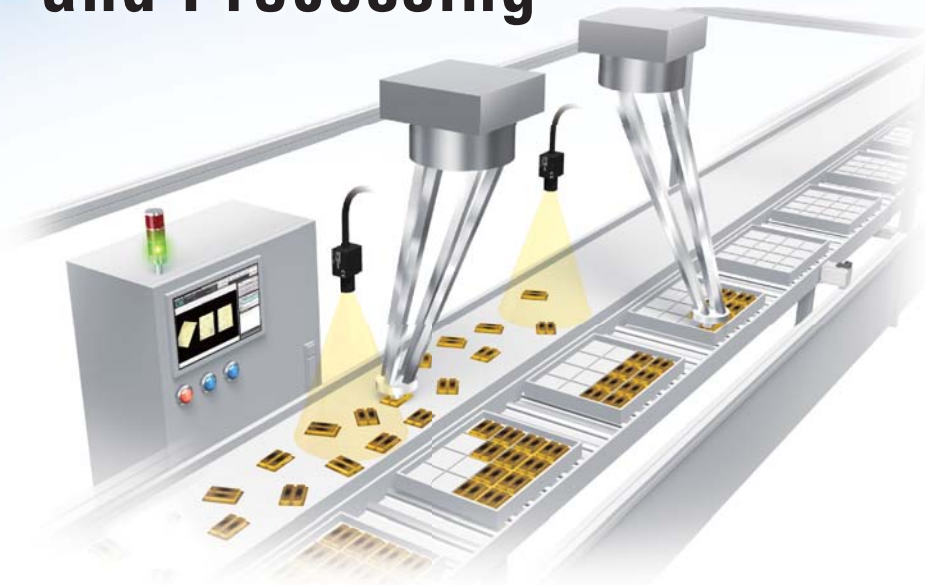


Automatically input these with communications.

- STEP 1 Communications Setup
- STEP 2 Camera Setup
- STEP 3 External Device Setup
- STEP 4 Sampling
- STEP 5 Calibration Parameter Creation

Fast

Faster Image acquisition and Processing



A Lineup of High-speed Cameras

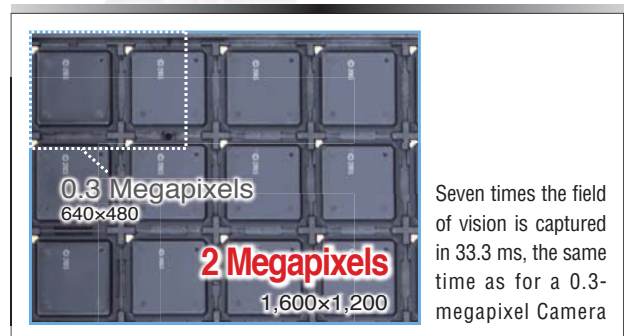
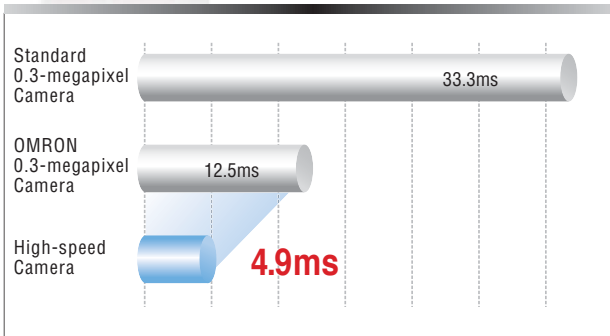
The speed of capturing images by a 0.3-megapixel Camera has been greatly increased. Even with a 2-megapixel Camera, the image capturing speed is equivalent to that of a standard 0.3-megapixel Camera. The difference is most obvious in applications requiring a wide field of vision, high precision, and high speed.



NEW
High-speed Camera
0.3 Megapixels



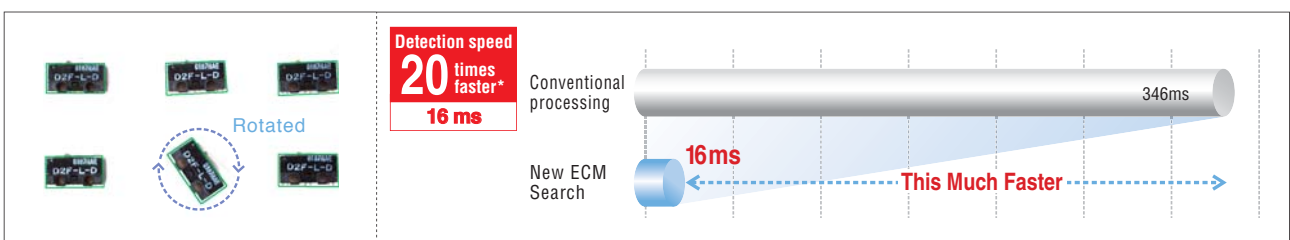
Camera
2 Megapixels



ECM Searches at 20 Times the Speed

The FZM1 provides an advanced version of OMRON's unique high-speed search processing, ECM. High-speed search processing is now possible for multiple measurement objects that are conveyed in different orientations. This enables high speed pick-and-place processing for moving objects.

[Search Speed for Rotated Objects]

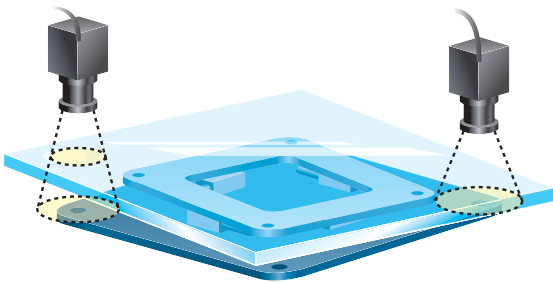


*Individual workpieces under OMRON test conditions.

Target Applications

FPD

LCD Glass Plate Alignment



Problem

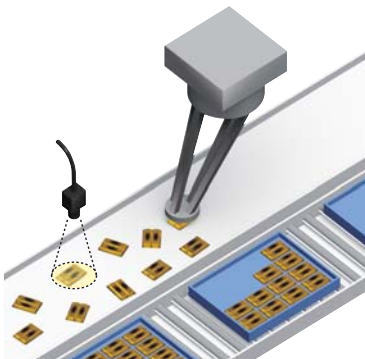
Yield was decreased because alignment marks could not be detected due to dirt and defects. Also, it was necessary to use a PLC to calculate the movement amounts of the stage from the measurement results from two Cameras, and the ladder program design and adjustment processes required excessive time.

Solution

Alignment mark detection using the EC algorithm suppressed the effects of dirt and defects to enable stable detection. Calibration between the Cameras and stage could be achieved without complex settings or calculations, greatly reducing setup work.

Food and Packaging

Pick and Place for Shiny Packages

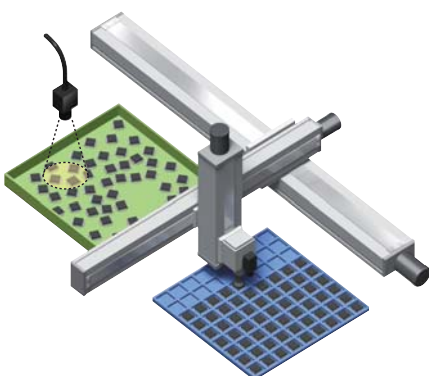


Reflections from the shiny packages made measurements unstable and caused frequent mistakes. To increase stability, precise parameter settings were required, increasing setup work. The increased number of parameters increased the processing time, which reduced throughput.

The new ECM Search, which resists light interference, greatly reduced the time required to set up lighting and adjust the parameters, creating stable, high-speed inspections. System throughput was increased.

Electronic Components

High-speed Palletizing



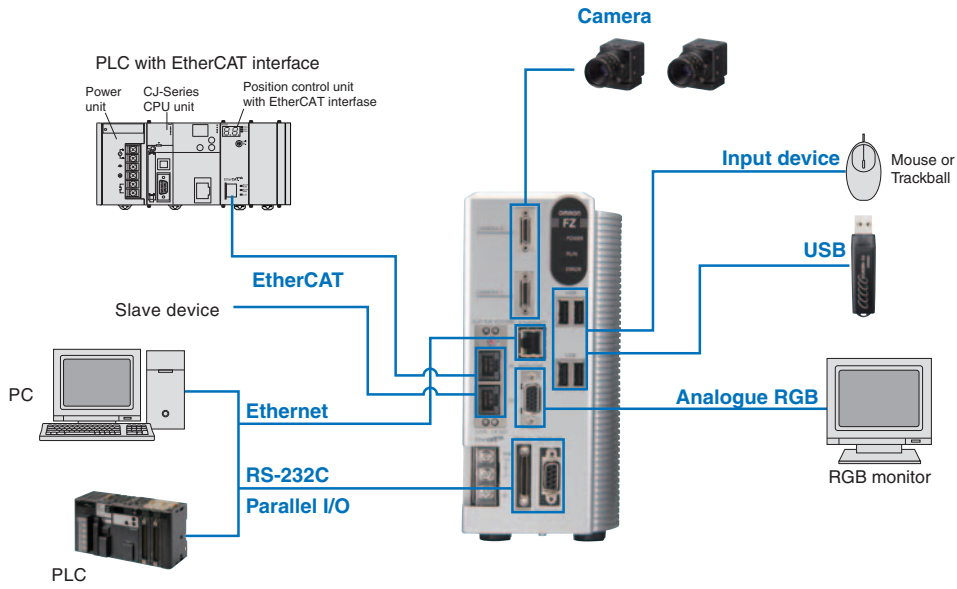
The robot was kept waiting because of the long time required from image input to positioning output. This made it impossible to increase system throughput.

Using a high-speed Camera and faster image processing achieved high-speed processing. By further combining an OMRON Servo Drive and Position Control Unit that support EtherCAT communications, the time from inputting the image to starting the servo was greatly minimized.

Vision Sensors for Positioning

FZM1-Series

System configuration



FZM1-Series

Ordering Information

Item		Descriptions		Model		Remarks	
Controllers	Standard Controllers with EtherCAT interface	Box-type Controllers	Two-camera controllers	NPN	FZM1-350-ECT	-	
				PNP	FZM1-355-ECT		
Cameras	High-speed Cameras	300,000 Pixels	Monochrome	FZ-SH		Lens required	
			Color	FZ-SHC			
	Digital cameras	300,000 Pixels	Monochrome	FZ-S			
			Color	FZ-SC			
		2 million pixels	Monochrome	FZ-S2M			
			Color	FZ-SC2M			
	Small digital cameras	300,000-pixel flat type	Monochrome	FZ-SF		CCTV lens required	
			Color	FZ-SFC			
		300,000-pixel pen type	Monochrome	FZ-SP			
			Color	FZ-SPC			
	Intelligent cameras	Wide field of vision	Color	FZ-SLC100		Camera + Zoom, Autofocus Lens + Intelligent Lighting	
		Narrow field of vision		FZ-SLC15			
Autofocus cameras	Wide field of vision	FZ-SZC100		Camera + Zoom, Autofocus Lens			
	Narrow field of vision	FZ-SZC15					
Cameras peripheral devices	Intelligent camera diffusion plate	Wide field of vision	FZ-SLC100-DL		-		
		Narrow field of vision	FZ-SLC15-DL				
	CCTV Lenses	3Z4S-LE Series		-			
	Extension Tubes			-			
	Low-distortion Lenses	FZ-LEH5/LEH8/LEH12/LEH16/LEH25/LEH35/LEH50/LEH75/LEH100		Low distortion lens for 2-million pixel cameras			
	Lenses for small camera	FZ-LES3/LES6/LES16/LES30		Lens for 300,000-pixel small cameras			
	Extension Tubes for small camera	FZ-LESR		Extension Tubes for 300,000-pixel small cameras			
Cables	Camera Cable	FZ-VS		Cable length: 2 m, 5 m, or 10 m (See note 2.)			
	Bend resistant Camera Cables	FZ-VSB		Cable length: 2 m, 5 m, or 10 m (See note 3.)			
	Right-angle Camera Cable (See note 1.)	FZ-VSL		Cable length: 2 m, 5 m, or 10 m (See note 2.)			
	Long-distance camera cable	FZ-VS2		Cable length: 15 m (See note 4.)			
	Long-distance right-angle camera cable	FZ-VSL2		Cable length: 15 m (See note 4.)			
	Cable extension unit	FZ-VSJ		Up to two Extension Units and three Cables can be connected.(Maximum cable length: 45 m (See note 5.))			
	Monitor cable	FZ-VM		Cable length: 2 m or 5 m			
	Parallel cable	FZ-VP		Cable length: 2 m or 5 m			
FZ-VPX (See note 6.)		Cable length: 2 m or 5 m, Connector type					
Peripheral devices	LCD monitor	FZ-M08		For Box-type Controllers			
	USB memory	1GB	FZ-MEM1G		Capacity: 1 GB		
Mouse			-		Recommended Products (Optical Mouse) Microsoft Corporation: Compact Optical Mouse, U81 Series		
External Lightings			3Z4S-LT Series FZ-LT Series		-		
Strobe Controllers	For 3Z4S-LT Series	Manufactured by MORITEX Corporation 3Z4S-LT MLEK-C100E1TS2		Required to control external lighting from a Controller		One channel	
		For FZ-LT Series	FZ-LTA100				
	FZ-LTA200		Two channels				



- Note:**
- This Cable has an L-shaped connector on the Camera end.
 - The 10-m cable cannot be used for the intelligent camera, autofocus camera and 5 million-pixel camera.
 - The 10-m cable cannot be used for the intelligent camera, autofocus camera 2 million-pixel camera and 5 million-pixel camera.
 - The 15-m cable cannot be used for the intelligent camera, autofocus camera and 5 million-pixel camera.
 - The maximum cable length depends on the Camera being connected, and the model and length of the Cable being used. For further information, please refer to the "Cameras / Cables" table in Page 17.
 - Scheduled for release soon.
Connector-Terminal Block Conversion Units can be connected (Recommended Products: OMRON XW2B-50G4/50G5, XE2D-50G6)

FZ3-UAL Positioning Software for FZ3-series Vision Sensors

The FZ3-UAL Positioning Software (sold separately) can be used to install FZM1-series positioning menus and processing items in FZ3-series Controllers. Although EtherCAT communications is not supported, all other FZM1-series functions can be used. Ask your OMRON representative for details.

Lenses

High-resolution, Low-distortion Lenses

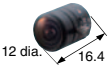

Model	FZ-LEH5	FZ-LEH8	FZ-LEH12	FZ-LEH16	FZ-LEH25	FZ-LEH35	FZ-LEH50	FZ-LEH75	FZ-LEH100
Appearance									
Focal length	5mm	8mm	12.5mm	16mm	25mm	35mm	50mm	75mm	100mm
Brightness	F2.8	F1.4	F1.4	F1.4	F1.4	F2	F2.8	F2.5	F2.8
Filter size	M40.5 P0.5	M27.0 P0.5	M27.0 P0.5	M27.0 P0.5	M27.0 P0.5	M27.0 P0.5	M27.0 P0.5	M34.0 P0.5	M40.5 P0.5

* The 5-mm Extension Tubes (3Z4S-LE ML-EXR) cannot be used with FZ-LEH25 Lenses.

CCTV Lenses

Model	3Z4S-LE ML-0614	3Z4S-LE ML-0813	3Z4S-LE ML-1214	3Z4S-LE ML-1614	3Z4S-LE ML-2514	3Z4S-LE ML-3519	3Z4S-LE ML-5018	3Z4S-LE ML-7527	3Z4S-LE ML-10035
Appearance									
Focal length	6mm	8mm	12mm	16mm	25mm	35mm	50mm	75mm	100mm
Brightness	F1.4	F1.3	F1.4	F1.4	F1.4	F1.9	F1.8	F2.7	F3.5
Filter size	M27 P0.5	M25.5 P0.5	M27 P0.5	M27 P0.5	M27 P0.5	M27 P0.5	M30.5 P0.5	M30.5 P0.5	M30.5 P0.5

Lenses for small camera

Model	FZ-LES3	FZ-LES6	FZ-LES16	FZ-LES30
Appearance				
Focal length	3mm	6mm	16mm	30mm
Brightness	F2.0	F2.0	F3.4	F3.4

Extension Tubes

Model	3Z4S-LE ML-EXR
Contents	Set of 7 tubes (40 mm, 20 mm, 10 mm, 5 mm, 2.0 mm, 1.0 mm, and 0.5 mm) Maximum outer diameter: 30 mm dia.

- Note:**
- Do not use the 0.5-mm, 1.0-mm, and 2.0-mm Extension Tubes attached to each other. Since these Extension Tubes are placed over the threaded section of the Lens or other Extension Tube, the connection may loosen when more than one 0.5-mm, 1.0-mm or 2.0-mm Extension Tube are used together.
 - Reinforcement may be required for combinations of Extension Tubes exceeding 30 mm if the Camera is subject to vibration.

Extension Tubes for small camera

Model	FZ-LESR
Contents	Set of 3 tubes (15 mm, 10 mm, 5 mm) Maximum outer diameter: 12 mm dia.

FZM1-Series

Ratings and Specifications

Standard Controllers with EtherCAT interface

Model	NPN Output		FZM1-350-ECT
	PNP Output		FZM1-355-ECT
Connected Camera			High-speed Cameras, Digital cameras, Small digital cameras, Intelligent camera, or Autofocus cameras
No. of Cameras			2
Processing resolution	When connected to a 300,000-pixel camera		640 (H) × 480 (V)
	When connected to a 2 million-pixel camera		1600 (H) × 1200 (V)
No. of scenes			32
Number of logged images (See note 1.)	When connected to a 300,000-pixel camera	Connected to 1 camera	Color camera: 250, Monochrome Camera: 252
		Connected to 2 cameras	Color camera: 125, Monochrome Camera: 126
	When connected to a 2 million-pixel camera	Connected to 1 camera	Color camera: 40, Monochrome Camera: 40
		Connected to 2 cameras	Color camera: 20, Monochrome Camera: 20
Operation			Mouse or similar device
Settings			Create series of processing steps by editing the flowchart (Help messages provided).
Serial communications			RS-232C/422A: 1CH
Network communications			Ethernet 100BASE-TX/10BASE-T
EtherCAT communications			Protocol only for EtherCAT communication 100BASE-TX
Parallel I/O			13 input (RESET, ENCTRG_A, ENCTRG_B, STEP/ENCTRG_Z, DSA, and DI0 to 7) 24 output (RUN, BUSY, GATE, OR, READY, ERROR, STGPUT0 to 1, and DO0 to 15)
Monitor interface			Analog RGB video output, 1 channel (Resolution: XGA 1,024 × 768 dots)
USB interface			4 channels (supports USB 1.1 and 2.0)
Power supply voltage			20.4 to 26.4 VDC
Current consumption (See note 3.)	When connected to an intelligent or autofocus camera		5 A max.
	When connected to a 300,000-pixel camera		3.7 A max.
	When connected to a 2 million-pixel camera		
Ambient temperature range			Operating: 0 to 45 °C, 0 to 50 °C (See note 2.), Storage: -20 to 65 °C (with no icing or condensation)
Ambient humidity range			Operating and storage: 35% to 85% (with no condensation)
Weight			Approx. 1.9 kg
Accessories			Please Read First, Instruction manual (Setup)

- Note:**
- The number of logged images will vary when connecting multiple Cameras with different models.
 - The operating mode can be switched from the Controller Menu settings.
 - When the strobe controller is connected to the lights, the controller uses power as much as it does when connected to the intelligent camera.

High-speed Cameras

Model	FZ-SH	FZ-SHC
Image elements	Interline transfer reading all pixels, 1/3-inch CCD image elements	
Color/Monochrome	Monochrome	Color
Effective pixels	640 (H) × 480 (V)	
Pixel size	7.4 (μm) × 7.4 (μm)	
Shutter function	Electronic shutter; select shutter speeds from 1/10 to 1/50,000 s	
Partial function	12 to 480 lines	
Frame rate (image read time)	204 fps (4.9ms)	
Field of vision	Selecting a lens according to the field of vision and installation distance	
Installation distance		
Ambient temperature range	Operating: 0 to 40 °C Storage: -25 to 65 °C (with no icing or condensation)	
Ambient humidity range	Operating and storage: 35% to 85% (with no condensation)	
Weight	Approx. 105 g	
Accessories	Instruction manual	

Intelligent cameras, autofocus cameras

Model	FZ-SLC100	FZ-SLC15	FZ-SZC100	FZ-SZC15
Image elements	Interline transfer reading all pixels, 1/3-inch CCD image elements			
Color/Monochrome	Color			
Effective pixels	640 (H) × 480 (V)			
Pixel size	7.4 (μm) × 7.4 (μm)			
Shutter function	Electronic shutter; select shutter speeds from 1/10 to 1/50,000 s			
Partial function	12 to 480 lines			
Frame rate (image read time)	80 fps (12.5 ms)			
Field of vision (See note 2.)	13 to 100mm (See note1.)	2.9 to 14.9mm (See note1.)	13 to 100mm (See note1.)	2.9 to 14.9mm (See note1.)
Installation distance	70 to 190mm (See note1.)	35 to 55mm (See note1.)	77.5 to 197.5mm (See note1.)	47.5 to 67.5mm
LED class (See note 3.) (lighting)	Class 2			—
Ambient temperature range	Operating: 0 to 50 °C Storage: -25 to 65 °C (with no icing or condensation)			
Ambient humidity range	Operating and storage: 35% to 85% (with no condensation)			
Weight	Approx. 670 g	Approx. 700 g	Approx. 500 g	
Accessories	Instruction manual and hexagonal wrench			

- Note: 1. Tolerance: ±5% max.
 2. The length of the visual field is the lengths along the Y axis.
 3. Applicable standards: IEC 60825-1: 1993 + A1: 1997 + A2-2001, EN 60825-1: 1994 + A1: 2002 + A2: 2001

Digital cameras

Model	FZ-S	FZ-SC	FZ-S2M	FZ-SC2M
Image elements	Interline transfer reading all pixels			
	1/3-inch CCD image elements		1/1.8-inch CCD image elements	
Color/Monochrome	Monochrome	Color	Monochrome	Color
Effective pixels	640 (H) × 480 (V)		1600 (H) × 1200 (V)	
Pixel size	7.4 (μm) × 7.4 (μm)		4.4 (μm) × 4.4 (μm)	
Shutter function	Electronic shutter; select shutter speeds from 1/10 to 1/50,000 s			
Partial function	12 to 480 lines		12 to 1200 lines	
Frame rate (image read time)	80 fps (12.5 ms)		30 fps (33.3 ms)	
Field of vision, installation distance	Selecting a lens according to the field of vision and installation distance			
Ambient temperature range	Operating: 0 to 50 °C Storage: -25 to 65 °C (with no icing or condensation)		Operating: 0 to 40 °C Storage: -25 to 65 °C (with no icing or condensation)	
Ambient humidity range	Operating and storage: 35% to 85% (with no condensation)			
Weight	Approx.55 g		Approx. 76 g	
Accessories	Instruction manual			

Small digital cameras

Model	FZ-SF	FZ-SFC	FZ-SP	FZ-SPC
Image elements	Interline transfer reading all pixels, 1/3-inch CCD image elements			
Color/Monochrome	Monochrome	Color	Monochrome	Color
Effective pixels	640(H) × 480(V)			
Pixel size	7.4 (μm) × 7.4 (μm)			
Shutter function	Electronic shutter; select shutter speeds from 1/10 to 1/50,000 s			
Partial function	12 to 480 lines			
Frame rate (image read time)	80 fps (12.5 ms)			
Field of vision, installation distance	Selecting a lens according to the field of vision and installation distance			
Ambient temperature range	Operating: 0 to 50 °C (camera amp) 0 to 45 °C (camera head) Storage: -25 to 65 °C (with no icing or condensation)			
Ambient humidity range	Operating and storage: 35% to 85% (with no condensation)			
Weight	Approx.150 g			
Accessories	Instruction manual, installation bracket, Four mounting brackets (M2)		Instruction manual	

LCD Monitor

Model	FZ-M08
Size	8.4 inches
Type	Liquid crystal color TFT
Resolution	1,024 × 768 dots
Input signal	Analog RGB video input, 1 channel
Power supply voltage	21.6 to 26.4 VDC
Current consumption	Approx. 0.7 A max.
Ambient temperature range	Operating: 0 to 50 °C Storage: -25 to 65 °C (with no icing or condensation)
Ambient humidity range	Operating and storage: 35% to 85% (with no condensation)
Weight	Approx. 1.2 kg
Accessories	Instruction manual and Four mounting brackets

Cable Extension Unit

Model	FZ-VSJ
Power supply voltage (See note 1.)	11.5 to 13.5 VDC
Current consumption (See note 2.)	1.5 A max.
Ambient temperature range	Operating: 0 to 50 °C Storage: -25 to 65 °C (with no icing or condensation)
Ambient humidity range	Operating and storage: 35% to 85% (with no condensation)
Maximum Units connectable	2 Units per Camera
Weight	Approx. 240 g
Accessories	Instruction manual and 4 mounting screws

Note: 1. A power supply must be connected to the Strobe Controller and Camera when connecting a FZ-SLC100/SLC15/SZC100/SZC15 and using a Strobe Controller (3Z4S-LT MLEK-C100E1TS2.)

2. The current consumption is when every Camera and Strobe Controller is connected to a power supply.

Camera Cables

Model	FZ-VS (2m)	FZ-VSB (2m)	FZ-VSL (2m)
Shock resistiveness (durability)	10 to 150 Hz single amplitude 0.15 mm 3 directions, 8 strokes, 4 times		
Ambient temperature range	Operation and storage: 0 to 65 °C (with no icing or condensation)		
Ambient humidity range	Operation and storage: 40% to 70% (with no condensation)		
Ambient atmosphere	No corrosive gases		
Material	Cable sheath, connector: PVC		
Minimum bending radius	69 mm	81 mm	69 mm
Weight	approx. 170g	approx. 220g	approx. 170g

Long-distance Camera Cables

Model	FZ-VS2 (15m)	FZ-VSL2 (15m)
Shock resistiveness (durability)	10 to 150 Hz single amplitude 0.15 mm 3 directions, 8 strokes, 4 times	
Ambient temperature range	Operation and storage: 0 to 65 °C (with no icing or condensation)	
Ambient humidity range	Operation and storage: 40% to 70% (with no condensation)	
Ambient atmosphere	No corrosive gases	
Material	Cable sheath, connector: PVC	
Minimum bending radius	93 mm	
Weight	approx. 1600g	

Monitor Cable

Model	FZ-VM
Vibration resistiveness	10 to 150 Hz single amplitude 0.15 mm 3 directions, 8 strokes, 4 times
Ambient temperature range	Operation: 0 to 50 °C Storage: -20 to 65 °C (with no icing or condensation)
Ambient humidity range	Operation and storage: 35% to 85% (with no condensation)
Ambient atmosphere	No corrosive gases
Material	Cable sheath: heat-resistant PVC Connector: PVC
Minimum bending radius	75 mm
Weight	approx. 170g

Parallel Cable

Model	FZ-VP	FZ-VPX
Vibration resistiveness	10 to 150 Hz single amplitude 0.15 mm 3 directions, 8 strokes, 4 times	
Ambient temperature range	Operation: 0 to 50 °C Storage: -20 to 65 °C (with no icing or condensation)	
Ambient humidity range	Operation and storage: 35% to 85% (with no condensation)	
Ambient atmosphere	No corrosive gases	
Material	Cable sheath: heat-resistant PVC Connector: resin	
Minimum bending radius	75 mm	
Weight	approx. 160g	approx. 180g

Connection Table

Cameras / Cables Connection Table

Type of camera	Model	Cable length	Intelligent cameras Autofocus cameras	High-speed cameras	Digital cameras		Small digital cameras
					300,000-pixel	2 million-pixel	Pen type / flat type
Camera Cables Right-angle camera cables	FZ-VS FZ-VSL	2 m	○	○	○	○	○
		5 m	○	○	○	○	○
		10 m	×	○	○	○	○
Bend resistant camera cables	FZ-VSB	2 m	○	○	○	○	○
		5 m	○	○	○	○	○
		10 m	×	○	○	×	○
Long-distance camera cable Long-distance right-angle camera cable	FZ-VS2 FZ-VSL2	15 m	×	○	○	○	○

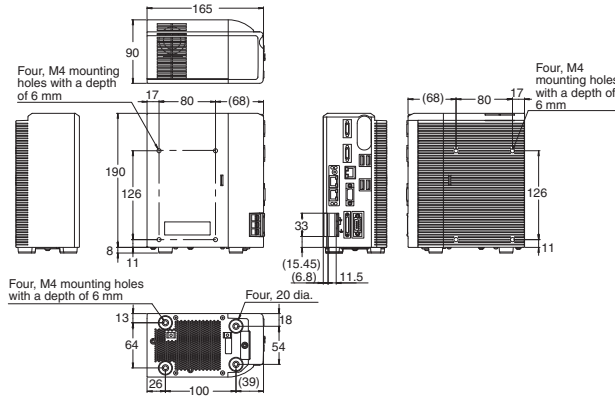
FZM1-Series

Dimensions

(Unit: mm)

Controllers

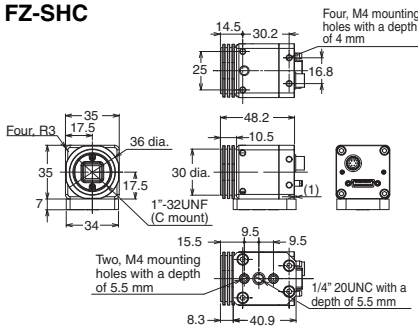
FZM1-35□-ECT



Cameras

•High-speed Cameras

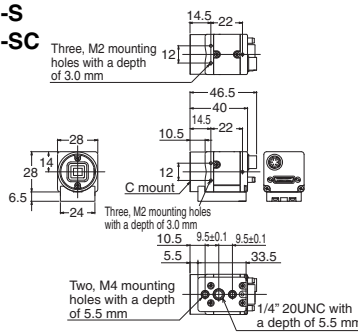
FZ-SH FZ-SHC



•Digital cameras

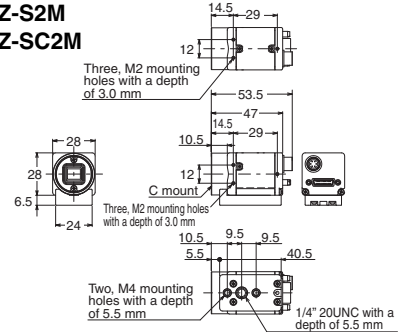
300,000-pixel camera

FZ-S FZ-SC



2 million-pixel camera

FZ-S2M FZ-SC2M

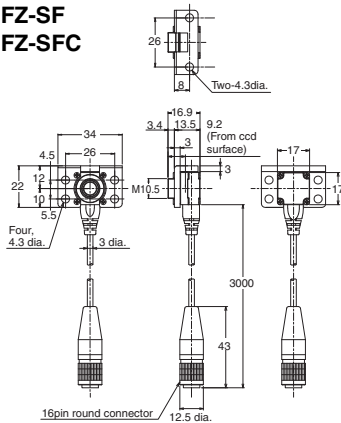


•Small digital cameras

Camera head

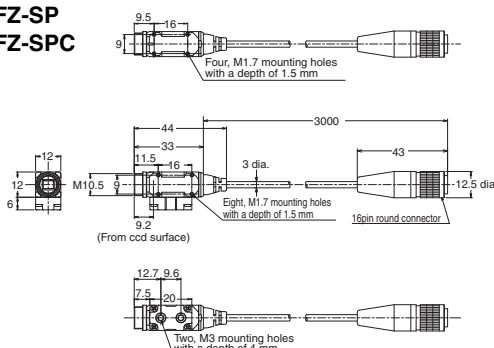
Flat camera

FZ-SF FZ-SFC



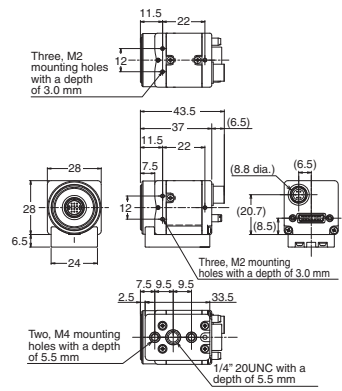
Pen-shaped camera

FZ-SP FZ-SPC



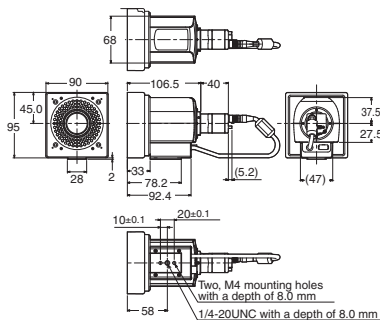
Camera amplifier

Can be used for both flat cameras and pen-shaped cameras

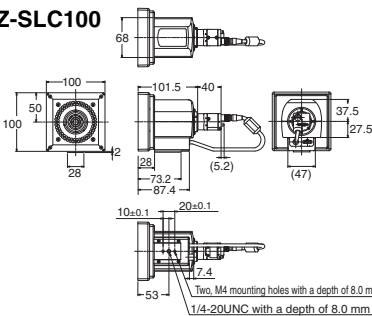


•Intelligent camera

FZ-SLC15

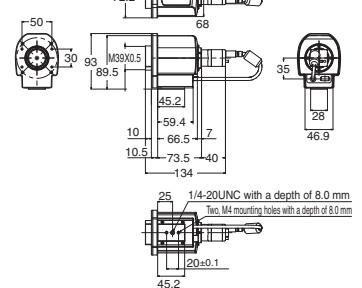


FZ-SLC100



•Auto focus camera

FZ-SZC15 FZ-SZC100

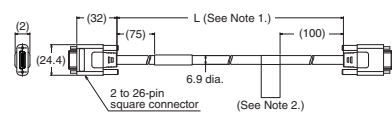


Cable

•Camera Cable

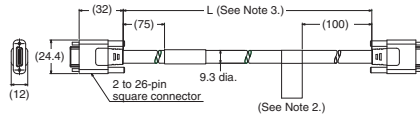
Camera Cable

FZ-VS



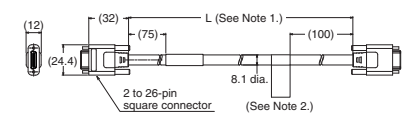
Long-distance Camera Cable

FZ-VS2



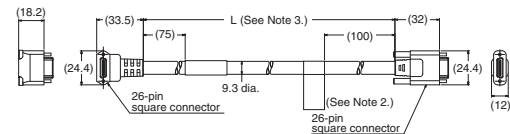
Bend resistant Cable

FZ-VSB



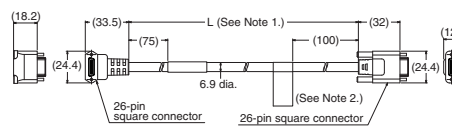
Long-distance Right-angle Camera Cable

FZ-VSL2



Right-angle Camera Cable

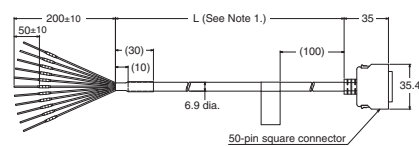
FZ-VSL



- Note:**
1. cable is available in 2m/5m/10m.
 2. Each camera cables has polarity. Please ensure that the name plate side of the cable is connected to the controller.
 3. cable is available in 15m.

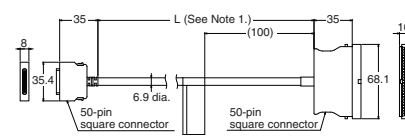
Parallel Cable

FZ-VP



- Note:** 1. cable is available in 2m/5m.

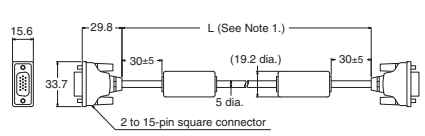
FZ-VPX



- Note:** 1. cable is available in 2m/5m.

Monitor Cable

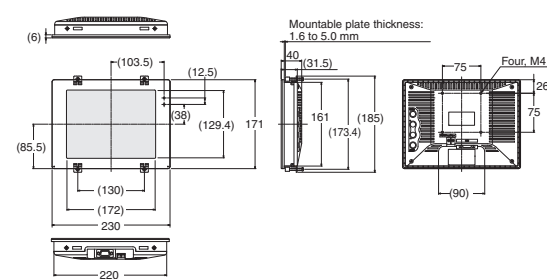
FZ-VM



- Note:** 1. cable is available in 2m/5m.

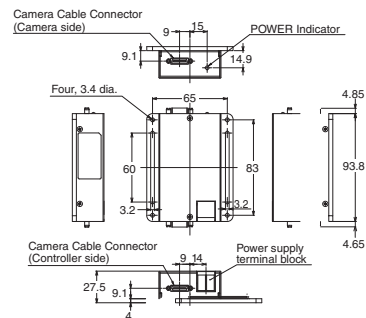
LCD Monitor

FZ-M08



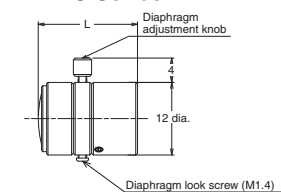
Camera Cable Extension Unit

FZ-VSJ



Lens for small camera

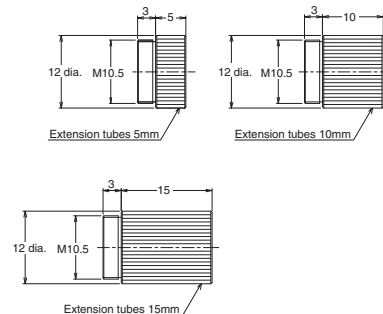
FZ-LES Series



Lenses Model	Focal length	Brightness	Maximum outside diameter	Overall length
FZ-LES3	3 mm	F2.0	12 dia.	16.4 mm
FZ-LES6	6 mm	F2.0	12 dia.	19.7 mm
FZ-LES16	16 mm	F3.4	12 dia.	23.1mm
FZ-LES30	30 mm	F3.4	12 dia.	25.5 mm

Extension Tubes for small camera

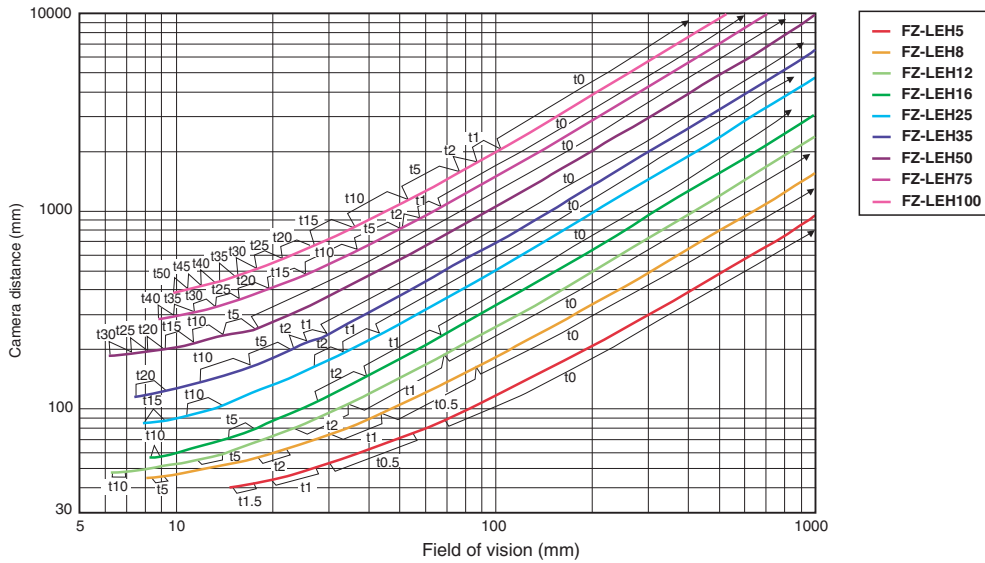
FZ-LESR



FZM1-Series

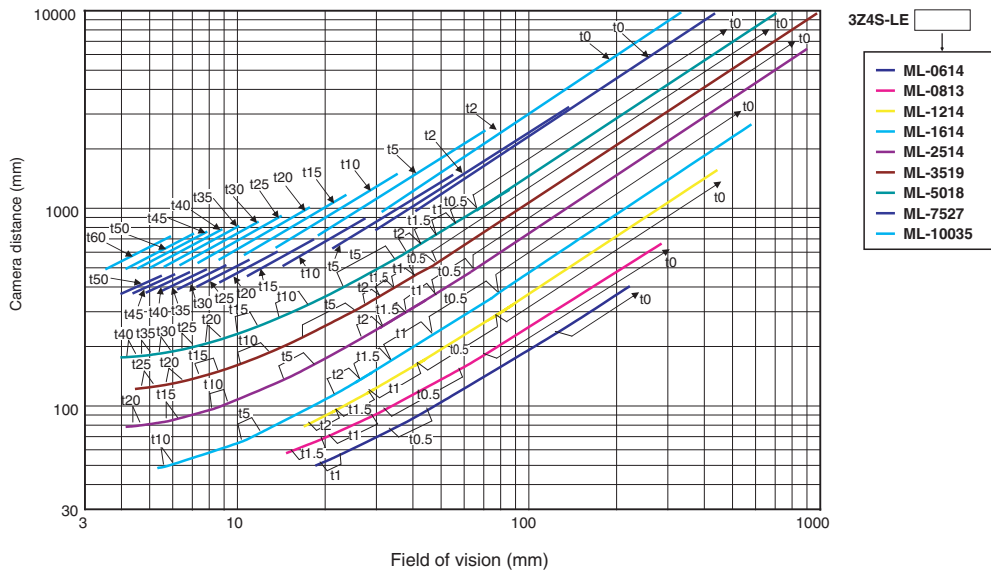
Optical Chart

2 million-pixel Digital camera FZ-S□2M

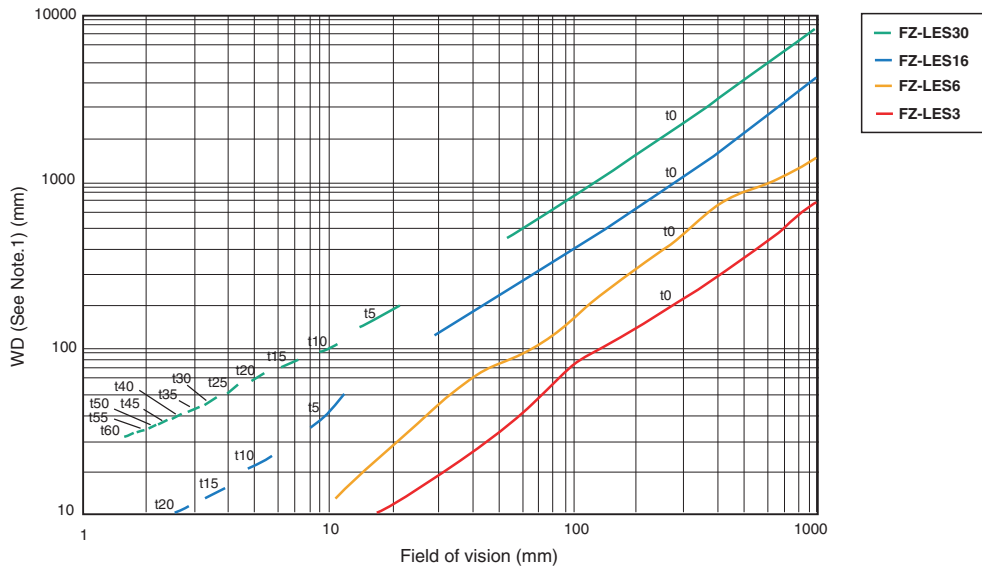


Note: The 5-mm Extension Tubes (3Z4S-LE ML-EXR) cannot be used with FZ-LEH25 Lenses.

300,000-pixel High-speed camera FZ-SH□, and Digital camera FZ-S□



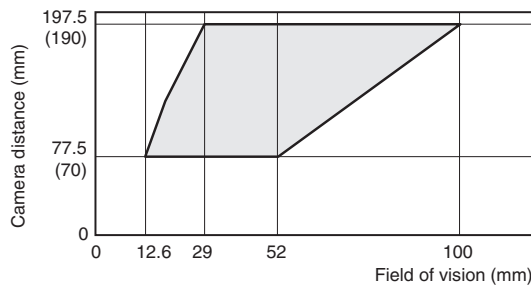
300,000-pixel Small digital cameras FZ-SF□, FZ-SP□



Note: The vertical axis represents WD, not installation distance.

Intelligent camera, autofocus camera with wide field of vision

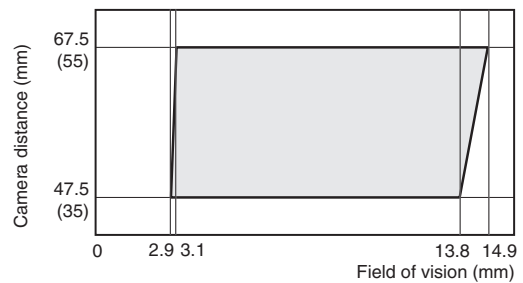
FZ-S□C100



Note: The value in parentheses is for the camera installation distance when using an Intelligent Camera.

with narrow field of vision

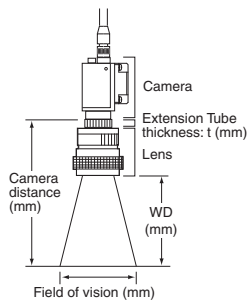
FZ-S□C15



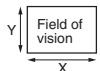
Note: 1. The value in parentheses is for the camera installation distance when using an Intelligent Camera.
2. Be sure to check the Instruction Sheet packed with the product before using an Intelligent Camera or Autofocus Camera.

•Meaning of Optical Chart

The X axis of the optical chart shows the field of vision (mm) (Note1), and the Y axis of the optical chart shows the camera installation distance (mm) (Note2).



Note: 1. The lengths of the fields of vision given in the optical charts are the lengths of the Y axis.
2. The vertical axis represents WD for small cameras.



Read and Understand this Catalog

Please read and understand this catalog before purchasing the product. Please consult your OMRON representative if you have any questions or comments.

Warranty and Limitations of Liability

WARRANTY

OMRON's exclusive warranty is that the products are free from defects in materials and workmanship for a period of one year (or other period if specified) from date of sale by OMRON.

OMRON MAKES NO WARRANTY OR REPRESENTATION, EXPRESS OR IMPLIED, REGARDING NON-INFRINGEMENT, MERCHANTABILITY, OR FITNESS FOR PARTICULAR PURPOSE OF THE PRODUCTS. ANY BUYER OR USER ACKNOWLEDGES THAT THE BUYER OR USER ALONE HAS DETERMINED THAT THE PRODUCTS WILL SUITABLY MEET THE REQUIREMENTS OF THEIR INTENDED USE. OMRON DISCLAIMS ALL OTHER WARRANTIES, EXPRESS OR IMPLIED.

LIMITATIONS OF LIABILITY

OMRON SHALL NOT BE RESPONSIBLE FOR SPECIAL, INDIRECT, OR CONSEQUENTIAL DAMAGES, LOSS OF PROFITS OR COMMERCIAL LOSS IN ANY WAY CONNECTED WITH THE PRODUCTS, WHETHER SUCH CLAIM IS BASED ON CONTRACT, WARRANTY, NEGLIGENCE, OR STRICT LIABILITY.

In no event shall the responsibility of OMRON for any act exceed the individual price of the product on which liability is asserted. IN NO EVENT SHALL OMRON BE RESPONSIBLE FOR WARRANTY, REPAIR, OR OTHER CLAIMS REGARDING THE PRODUCTS UNLESS OMRON'S ANALYSIS CONFIRMS THAT THE PRODUCTS WERE PROPERLY HANDLED, STORED, INSTALLED, AND MAINTAINED AND NOT SUBJECT TO CONTAMINATION, ABUSE, MISUSE, OR INAPPROPRIATE MODIFICATION OR REPAIR.

Application Considerations

SUITABILITY FOR USE

OMRON shall not be responsible for conformity with any standards, codes, or regulations that apply to the combination of the product in the customer's application or use of the product.

Take all necessary steps to determine the suitability of the product for the systems, machines, and equipment with which it will be used. Know and observe all prohibitions of use applicable to this product.

NEVER USE THE PRODUCT FOR AN APPLICATION INVOLVING SERIOUS RISK TO LIFE OR PROPERTY WITHOUT ENSURING THAT THE SYSTEM AS A WHOLE HAS BEEN DESIGNED TO ADDRESS THE RISKS, AND THAT THE OMRON PRODUCT IS PROPERLY RATED AND INSTALLED FOR THE INTENDED USE WITHIN THE OVERALL EQUIPMENT OR SYSTEM.

PROGRAMMABLE PRODUCTS

OMRON shall not be responsible for the user's programming of a programmable product, or any consequence thereof.

Disclaimers

CHANGE IN SPECIFICATIONS

Product specifications and accessories may be changed at any time based on improvements and other reasons. Consult with your OMRON representative at any time to confirm actual specifications of purchased product.

DIMENSIONS AND WEIGHTS

Dimensions and weights are nominal and are not to be used for manufacturing purposes, even when tolerances are shown.

PERFORMANCE DATA

Performance data given in this catalog is provided as a guide for the user in determining suitability and does not constitute a warranty. It may represent the result of OMRON's test conditions, and the users must correlate it to actual application requirements. Actual performance is subject to the OMRON Warranty and Limitations of Liability.

OMRON Corporation Industrial Automation Company
Tokyo, JAPAN

Contact: www.ia.omron.com

Regional Headquarters

OMRON EUROPE B.V.

Sensor Business Unit

Carl-Benz-Str. 4, D-71154 Nufringen, Germany
Tel: (49) 7032-811-0/Fax: (49) 7032-811-199

OMRON ASIA PACIFIC PTE. LTD.

No. 438A Alexandra Road # 05-05/08 (Lobby 2),
Alexandra Technopark,
Singapore 119967
Tel: (65) 6835-3011/Fax: (65) 6835-2711

OMRON ELECTRONICS LLC

One Commerce Drive Schaumburg,
IL 60173-5302 U.S.A.
Tel: (1) 847-843-7900/Fax: (1) 847-843-7787

OMRON (CHINA) CO., LTD.

Room 2211, Bank of China Tower,
200 Yin Cheng Zhong Road,
PuDong New Area, Shanghai, 200120, China
Tel: (86) 21-5037-2222/Fax: (86) 21-5037-2200

Authorized Distributor:

© OMRON Corporation 2010 All Rights Reserved.
In the interest of product improvement,
specifications are subject to change without notice.

Cat. No. Q177-E1-01

Printed in Japan
0510 (0510) (w)