



Chipsmall Limited consists of a professional team with an average of over 10 year of expertise in the distribution of electronic components. Based in Hongkong, we have already established firm and mutual-benefit business relationships with customers from,Europe,America and south Asia,supplying obsolete and hard-to-find components to meet their specific needs.

With the principle of “Quality Parts,Customers Priority,Honest Operation,and Considerate Service”,our business mainly focus on the distribution of electronic components. Line cards we deal with include Microchip,ALPS,ROHM,Xilinx,Pulse,ON,Everlight and Freescale. Main products comprise IC,Modules,Potentiometer,IC Socket,Relay,Connector.Our parts cover such applications as commercial,industrial, and automotives areas.

We are looking forward to setting up business relationship with you and hope to provide you with the best service and solution. Let us make a better world for our industry!



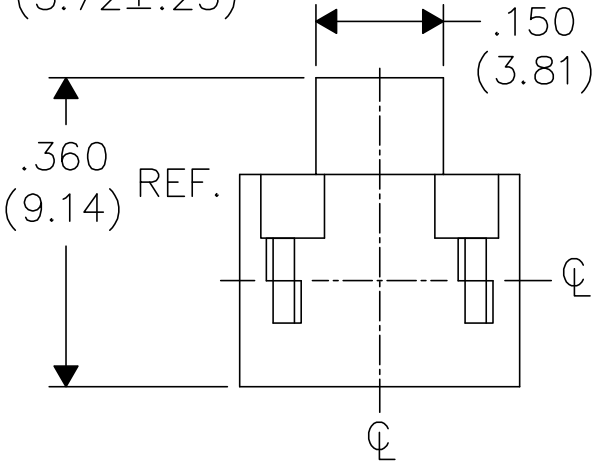
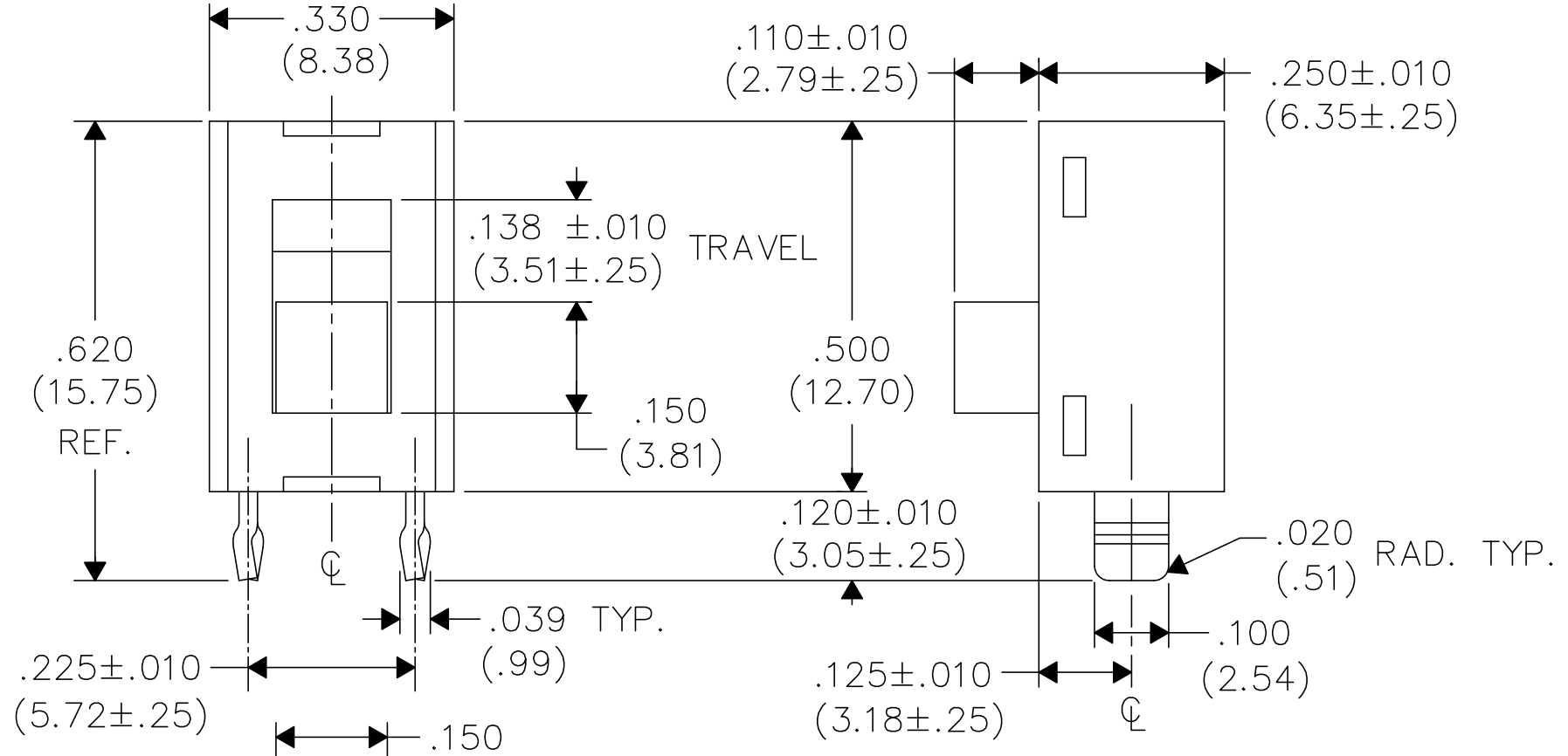
Contact us

Tel: +86-755-8981 8866 Fax: +86-755-8427 6832

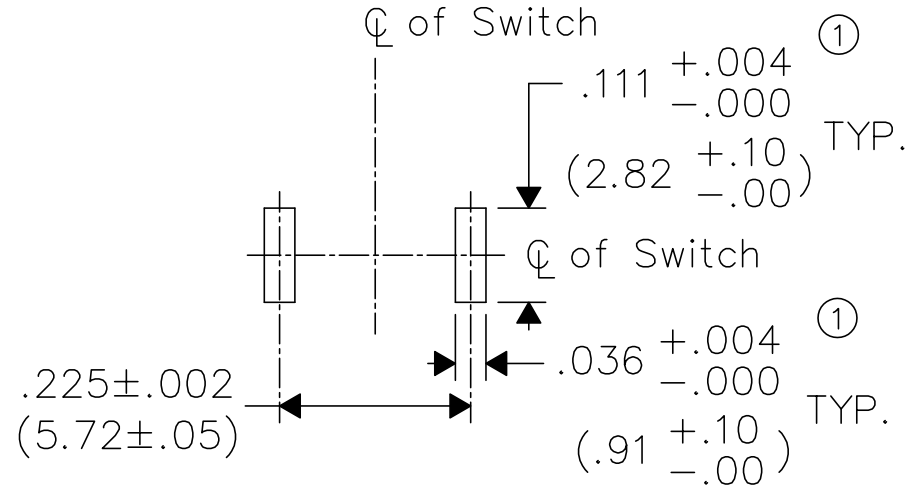
Email & Skype: info@chipsmall.com Web: www.chipsmall.com

Address: A1208, Overseas Decoration Building, #122 Zhenhua RD., Futian, Shenzhen, China





P.C. LAYOUT



FORM-B4	REVISIONS	1
		REDRAWN. REMOVED NOTE 1. ADDED TYP. 2 PLACES. DGW 3-20-2002 Mar. 26, 2002

PDF File Made	CW INDUSTRIES Southampton, Pa. 18966
	TOLERANCES UNLESS OTHERWISE SPECIFIED
	2 Place Decimal ±.010 METRIC
	3 Place Decimal ±.005 1 Place Dec. ±.25mm
	Angles ±1° 2 Place Dec. ±.13mm
Made for: CW IND.	Division: SWITCH
Drawn by: DGW 3-20-2002	Dwg. No. G-105-0513
Checked by: GG 3-26-02	
Approval: BF 3-25-02	

Title: SWIDGET JR. ASSEMBLY (S.P.-S.T.)
Dwg. No. G-105-0513