



Chipsmall Limited consists of a professional team with an average of over 10 year of expertise in the distribution of electronic components. Based in Hongkong, we have already established firm and mutual-benefit business relationships with customers from,Europe,America and south Asia,supplying obsolete and hard-to-find components to meet their specific needs.

With the principle of "Quality Parts,Customers Priority,Honest Operation,and Considerate Service",our business mainly focus on the distribution of electronic components. Line cards we deal with include Microchip,ALPS,ROHM,Xilinx,Pulse,ON,Everlight and Freescale. Main products comprise IC,Modules,Potentiometer,IC Socket,Relay,Connector.Our parts cover such applications as commercial,industrial, and automotives areas.

We are looking forward to setting up business relationship with you and hope to provide you with the best service and solution. Let us make a better world for our industry!



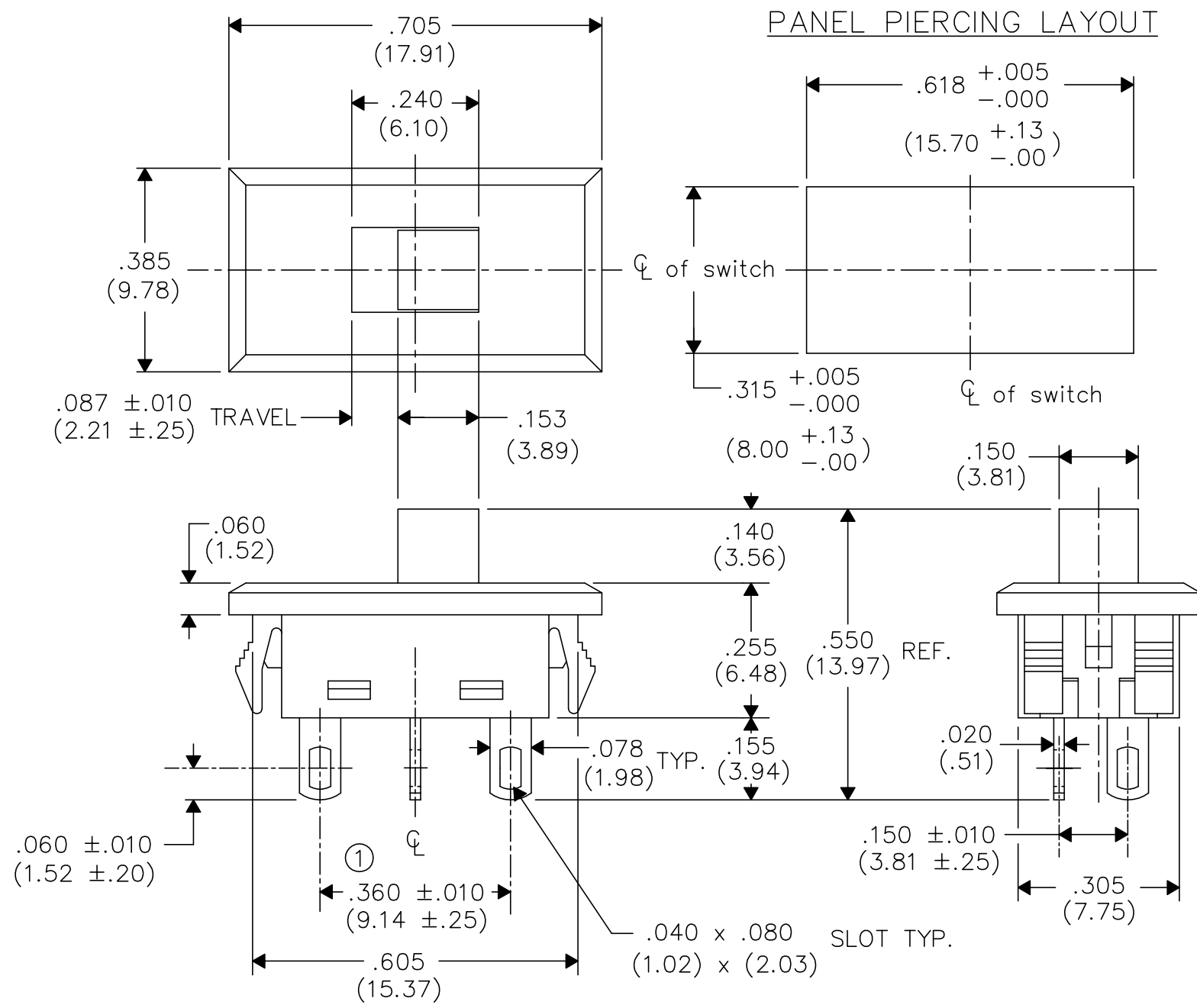
Contact us

Tel: +86-755-8981 8866 Fax: +86-755-8427 6832

Email & Skype: info@chipsmall.com Web: www.chipsmall.com

Address: A1208, Overseas Decoration Building, #122 Zhenhua RD., Futian, Shenzhen, China





SPECIFICATIONS AND OPTIONAL FEATURES

TYPE	CIRCUIT	ELECTRICAL RATING	UL & CSA
G-107-SI-0511	SPDT	.5A AC DC 125V	APPROVED

BUTTON OPTIONS

LENGTH	PART NUMBER	COLOR
.140 (3.56mm)	G-02-240-1 is Standard	BLACK
.200 (5.08mm)	G-02-240-2	BLACK
.250 (6.35mm)	G-02-240-3	BLACK
.250 (6.35mm)	G-02-240-4	BLue
.250 (6.35mm)	G-02-240-5	Red

TERMINALS

Standard solder terminal also mates with AMP connector 62343-1.

MOUNTING

Snaps directly into panel having hole piercing as shown.
Designed for panel thickness of .047, .062, .078 and .093.

FORM-B

REVISIONS
0
1

RELEASED
1-8-85
GZ

.360±.010 WAS .400±.010
AND 9.14±.25 WAS 10.16±.25.
NM 7-24-85
JUL. 28.1986

ew INDUSTRIES
Southampton, Pa. 18966

TOLERANCES UNLESS OTHERWISE SPECIFIED

2 Place decimal ±.010	METRIC
3 Place decimal ±.005	1 Place dec. ±.25mm
Angles ± 1°	2 Place dec. ±.13mm

Made for: CW

Drawn by: B.DeRosier 1-4-85

Checked by: CH 1-7-85

Approval: GZ 1-8-85

Title: **SNAP-IN
SLIDE SWIDGET JR.
ASSEMBLY
S.P. - D.T.**

Division: **SWITCH**

Dwg. No.
G-107-SI-0511