



Chipsmall Limited consists of a professional team with an average of over 10 year of expertise in the distribution of electronic components. Based in Hongkong, we have already established firm and mutual-benefit business relationships with customers from,Europe,America and south Asia,supplying obsolete and hard-to-find components to meet their specific needs.

With the principle of “Quality Parts,Customers Priority,Honest Operation,and Considerate Service”,our business mainly focus on the distribution of electronic components. Line cards we deal with include Microchip,ALPS,ROHM,Xilinx,Pulse,ON,Everlight and Freescale. Main products comprise IC,Modules,Potentiometer,IC Socket,Relay,Connector.Our parts cover such applications as commercial,industrial, and automotives areas.

We are looking forward to setting up business relationship with you and hope to provide you with the best service and solution. Let us make a better world for our industry!



## Contact us

Tel: +86-755-8981 8866 Fax: +86-755-8427 6832

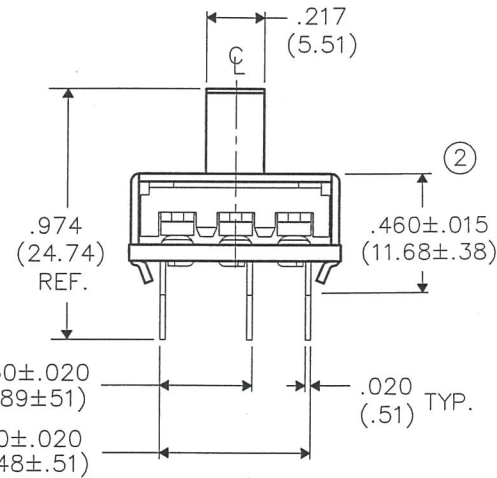
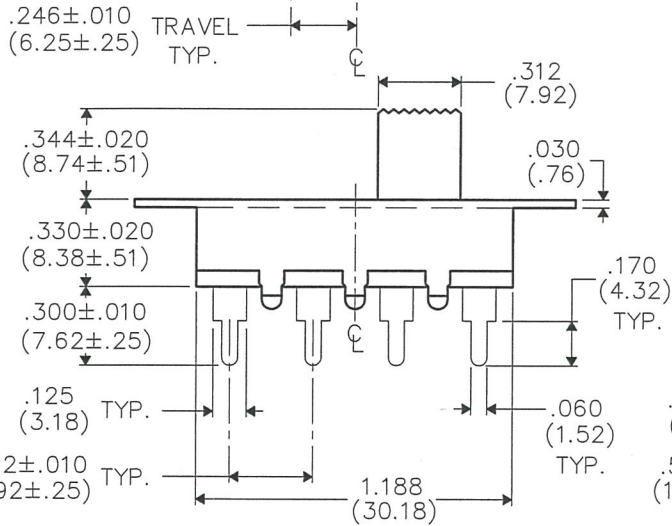
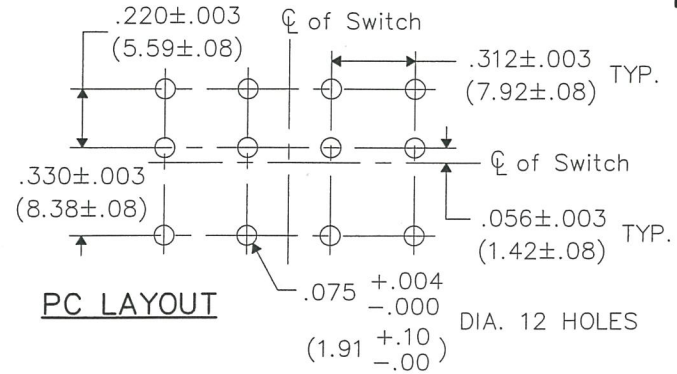
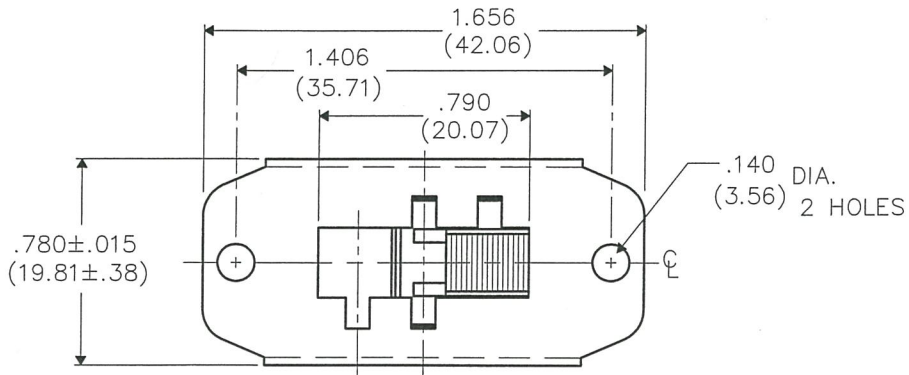
Email & Skype: info@chipsmall.com Web: www.chipsmall.com

Address: A1208, Overseas Decoration Building, #122 Zhenhua RD., Futian, Shenzhen, China



DIMENSIONS IN INCHES (MILLIMETERS)  
DO NOT SCALE DRAWING .....

Dwg. No.  
**G-368S-0001**



1 2 3 4 5 6 7 8 9 10

B-FORMAT 2002	REVISIONS	1	UPDATED & REDRAWN. DGW 3-27-2003
		2	CORRECTED .460±.015 DIMENSION LINE LOCATION IN SIDE VIEW. DGW 6-22-2012

G.G. JUN 2 2013

**ATTENTION**  
THIS DRAWING AND ITS ATTACHMENT, IF ANY, ARE  
PROPRIETARY TO CW INDUSTRIES AND DESCRIBE  
DESIGNS THAT ARE CONFIDENTIAL AND MUST NOT  
BE DISCLOSED UNLESS AUTHORIZED, IN WRITING,  
BY AN OFFICER OF CW INDUSTRIES.....

<b>CW INDUSTRIES</b> Southampton, Pa. 18966	
TOLERANCES UNLESS OTHERWISE SPECIFIED	
2 Place Decimal ±.010	METRIC
3 Place Decimal ±.005	1 Place Dec. ±.25mm
Angles ..... ±1'	2 Place Dec. ±.13mm
Made for: CW IND.	
Drawn by: DGW 3-27-2003	
Checked by: G.Guld 4-8-03	
Approval: B.F. Long 4-8-03	

Title:	SWIDGET ASSEMBLY 3P. 3P.
Division:	SWITCH
Dwg. No.	G-368S-0001

**MASTER**