



Chipsmall Limited consists of a professional team with an average of over 10 year of expertise in the distribution of electronic components. Based in Hongkong, we have already established firm and mutual-benefit business relationships with customers from,Europe,America and south Asia,supplying obsolete and hard-to-find components to meet their specific needs.

With the principle of “Quality Parts,Customers Priority,Honest Operation,and Considerate Service”,our business mainly focus on the distribution of electronic components. Line cards we deal with include Microchip,ALPS,ROHM,Xilinx,Pulse,ON,Everlight and Freescale. Main products comprise IC,Modules,Potentiometer,IC Socket,Relay,Connector.Our parts cover such applications as commercial,industrial, and automotives areas.

We are looking forward to setting up business relationship with you and hope to provide you with the best service and solution. Let us make a better world for our industry!



Contact us

Tel: +86-755-8981 8866 Fax: +86-755-8427 6832

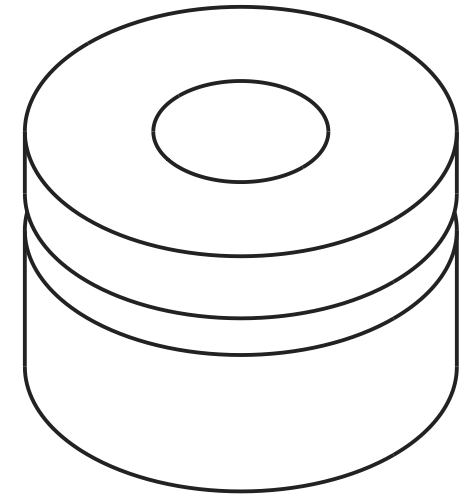
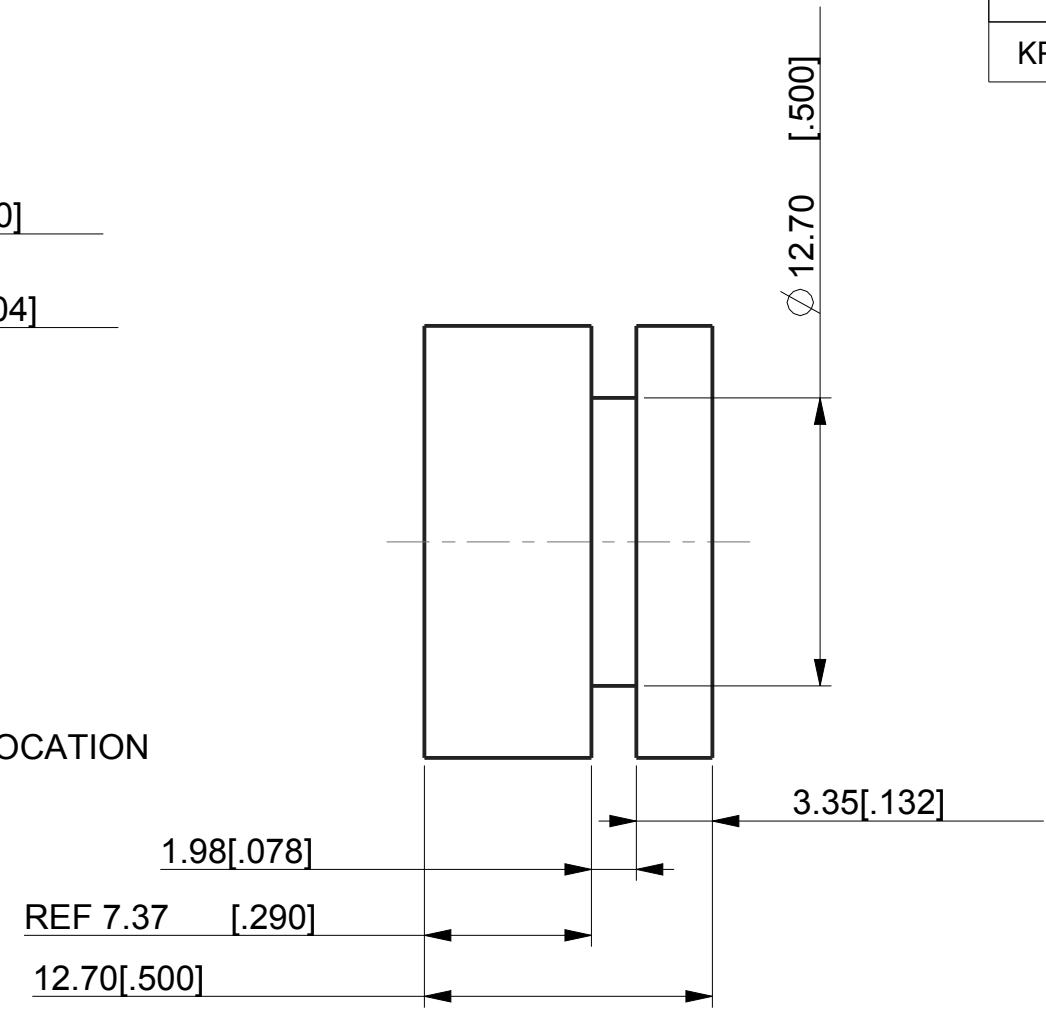
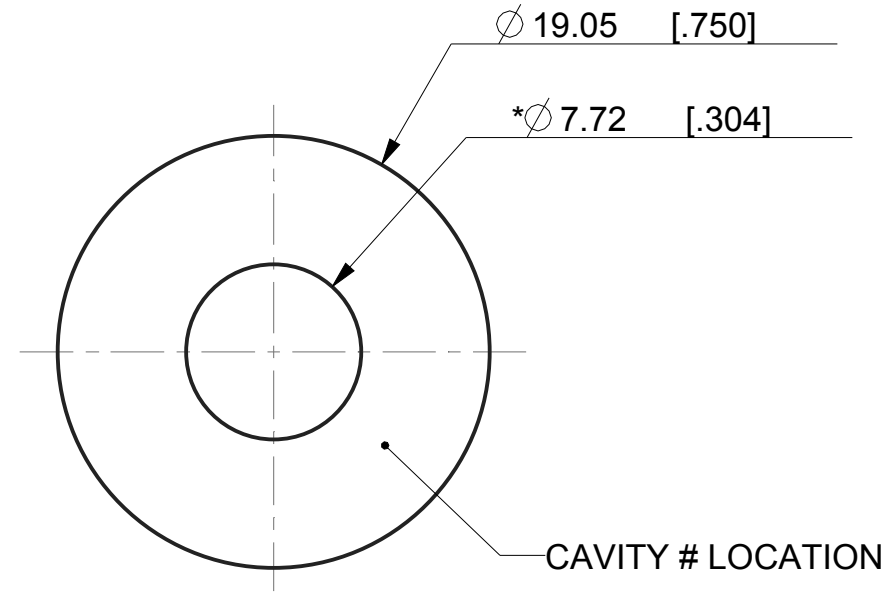
Email & Skype: info@chipsmall.com Web: www.chipsmall.com

Address: A1208, Overseas Decoration Building, #122 Zhenhua RD., Futian, Shenzhen, China





REVISIONS				
DRAWN	REV	DESCRIPTION	DATE	APPROVED
TC	02	CONSOLIDATED ALL MATERIALS TO ONE SPEC. HISTORIC PRINTS CURRENTLY SIT AT REV A. UPDATED FORMAT, NOTES, TOLERANCES, ADDED MISSING DIMS AND -X TO NAMING CONVENTION.	5-25-10	JS
KP/TC	03	ADDED WEIGHT, UPDATED FORMAT, ADDED CAVITY NUMBER	5-31-11	MS



- 3. MAX DRAFT: 2°.
- 2. CRITICAL DIMENSIONS SHALL HAVE Cpk VALUE >= 1.33 WITH ONGOING SPC DATA REQUIRED.
- 1. CRITICAL DIMENSIONS ARE MARKED WITH "*".

NOTES:

G-513-C8012	C-8012
G-513-C8002	C-8002
G-513-C8001	C-8001
G-513-3	C-1100
G-513-2	C-1105
G-513-1	C-1002
PART NUMBER	MATERIAL

DIM RANGE	VERSADAMP & ISODAMP TOL
0<DIM<=2 [.078]	± 0.15 [.006]
2 [.078]<DIM<=25 [.98]	± 0.25 [.010]
25 [.98]<DIM<=50 [1.969]	± 0.4 [.016]
50 [1.969]<DIM	± 0.6 [.024]

UNLESS OTHERWISE SPECIFIED UNITS ARE: MM [IN] TOLERANCE FOR ANGLES: ±1.0°	MATERIAL:	AEARO TECHNOLOGIES LLC * a 3M company		
	SEE TABLE ON LEFT	TITLE GROMMET - ASSYMETRIC NON-RIBBED		
ALLOWABLE FLASH: .12MM [.005]	QUALITY CONTROL: MUST COMPLY WITH E-A-R SPECIALTY COMPOSITES SUPPLIER QUALITY MANUAL REQUIREMENTS	SIZE	DRAWING NO.	PAGE NO.
GATE: ±.15MM [.006]	NOTES: ANY FEATURE NOT DIMENSIONED IN PRINT MUST BE VISIBLY PRESENT, UTILIZE 3D CAD FOR CREATION	B	G-513-X	1 OF 1
CALC WT. 3.5 GRAM REF				

1

2

3

4

D

C

B

A

D

C

B

A