



Chipsmall Limited consists of a professional team with an average of over 10 year of expertise in the distribution of electronic components. Based in Hongkong, we have already established firm and mutual-benefit business relationships with customers from,Europe,America and south Asia,supplying obsolete and hard-to-find components to meet their specific needs.

With the principle of “Quality Parts,Customers Priority,Honest Operation,and Considerate Service”,our business mainly focus on the distribution of electronic components. Line cards we deal with include Microchip,ALPS,ROHM,Xilinx,Pulse,ON,Everlight and Freescale. Main products comprise IC,Modules,Potentiometer,IC Socket,Relay,Connector.Our parts cover such applications as commercial,industrial, and automotives areas.

We are looking forward to setting up business relationship with you and hope to provide you with the best service and solution. Let us make a better world for our industry!



Contact us

Tel: +86-755-8981 8866 Fax: +86-755-8427 6832

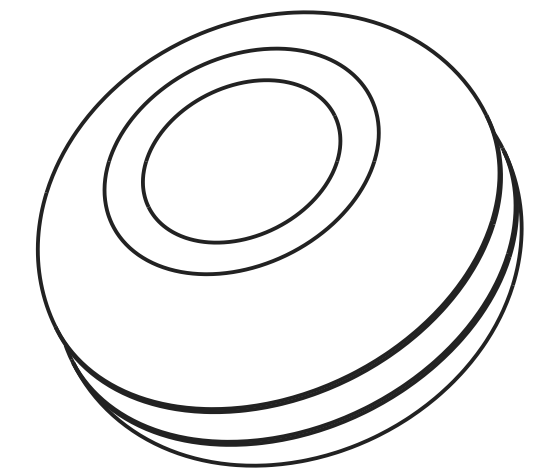
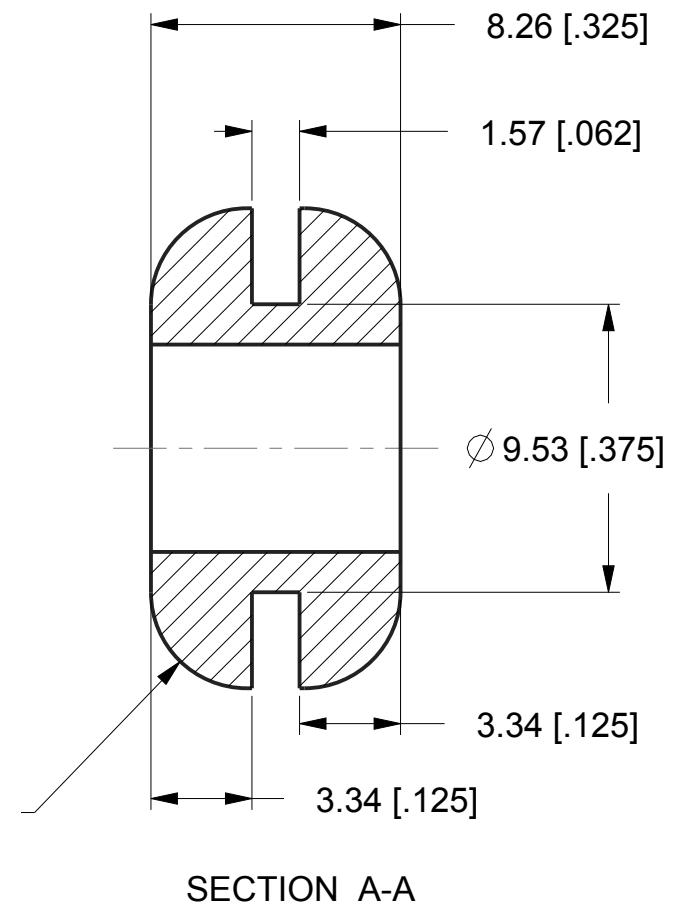
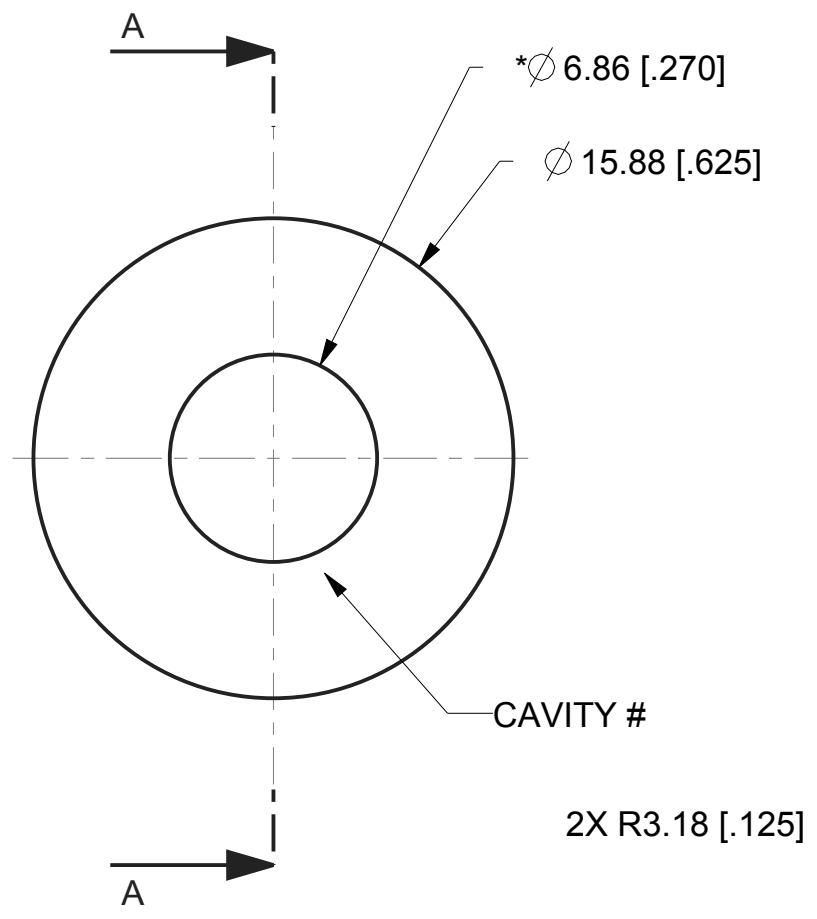
Email & Skype: info@chipsmall.com Web: www.chipsmall.com

Address: A1208, Overseas Decoration Building, #122 Zhenhua RD., Futian, Shenzhen, China





REVISIONS				
DRAWN	REV	DESCRIPTION	DATE	APPROVED
TC	01	Consolidated all previous materials to one spec. Historic prints have no revisions, this print continues the format with rev 01.	6-4-10	JS
KP/TC	02	ADDED WEIGHT, UPDATED FORMAT, ADDED CAVITY LOCATION	5-31-12	MS



- NOTES:
1. CRITICAL DIMENSIONS ARE MARKED WITH "**".
 2. CRITICAL DIMENSIONS SHALL HAVE Cpk VALUE >= 1.33 WITH ONGOING SPC DATA REQUIRED.
 3. MAX 2° DRAFT.

G-521-C8012	C-8012
G-521-C8002	C-8002
G-521-C8001	C-8001
G-521-V2325	V-2325
G-521-3	C-1100
G-521-2	C-1105
G-521-1	C-1002
PART NUMBER	MATERIAL

DIM RANGE	VERSADAMP & ISODAMP TOL
0 < DIM <= 2 [.078]	± 0.15 [.006]
2 [.078] < DIM <= 25 [.98]	± 0.25 [.010]
25 [.98] < DIM <= 50 [1.969]	± 0.4 [.016]
50 [1.969] < DIM	± 0.6 [.024]

UNLESS OTHERWISE SPECIFIED UNITS ARE: MM [IN] TOLERANCE FOR ANGLES: ±1.0°	MATERIAL: SEE TABLE ON LEFT	AEARO TECHNOLOGIES LLC * a 3M company		
	QUALITY CONTROL: MUST COMPLY WITH E-A-R SPECIALTY COMPOSITES SUPPLIER QUALITY MANUAL REQUIREMENTS	TITLE NON-RIBBED, SYMMETRICAL GROMMET		
ALLOWABLE FLASH: .12MM [.005]	NOTES: ANY FEATURE NOT DIMENSIONED IN PRINT MUST BE VISIBLY PRESENT, UTILIZE 3D CAD FOR CREATION	SIZE B	DRAWING NO. G-521-X	PAGE NO. 1 OF 1
GATE: ±.15MM [.006]	CALC WT. 1.2 GRAM REF			

1

2

3

4

D

C

B

A

D

C

B

A