



Chipsmall Limited consists of a professional team with an average of over 10 year of expertise in the distribution of electronic components. Based in Hongkong, we have already established firm and mutual-benefit business relationships with customers from,Europe,America and south Asia,supplying obsolete and hard-to-find components to meet their specific needs.

With the principle of “Quality Parts,Customers Priority,Honest Operation,and Considerate Service”,our business mainly focus on the distribution of electronic components. Line cards we deal with include Microchip,ALPS,ROHM,Xilinx,Pulse,ON,Everlight and Freescale. Main products comprise IC,Modules,Potentiometer,IC Socket,Relay,Connector.Our parts cover such applications as commercial,industrial, and automotives areas.

We are looking forward to setting up business relationship with you and hope to provide you with the best service and solution. Let us make a better world for our industry!



## Contact us

Tel: +86-755-8981 8866 Fax: +86-755-8427 6832

Email & Skype: info@chipsmall.com Web: www.chipsmall.com

Address: A1208, Overseas Decoration Building, #122 Zhenhua RD., Futian, Shenzhen, China





# Pontiac Coil

2110 Queensway Searcy, AR 72143

Phone 501-268-6877 Website: www.pontiaccoil.com

## Model M-22 DC Solenoid Magnetic Latching, Pull Type

**Pontiac Coil - Arkansas is an ISO 9001:2000 Certified Company**

\*Resistance values are  $\pm 10\%$  at 25°C

Model Code	Part No.	Voltage	Duty Cycle	Power (W)	Res.( $\Omega$ )*	Current (A)	Release Volts $\blacklozenge$
M-22PL012D-04-SR	G0401A	12VDC	Continuous	4	38.0	0.4	6.5 - 8.5
M-22PL012D-09-SR	G0402A	12VDC	Intermittent	9	16.0	0.8	4.0 - 6.0
M-22PL012D-40-SR	G0403A	12VDC	Pulse	40	3.6	3.4	2.0 - 3.0
M-22PL024D-04-SR	G0404A	24VDC	Continuous	4	144.0	0.2	15.0 - 17.0
M-22PL024D-09-SR	G0405A	24VDC	Intermittent	9	64.0	0.4	9.0 - 11.0
M-22PL024D-40-SR	G0406A	24VDC	Pulse	40	14.0	1.8	3.5 - 5.5

SR = Spring Return

$\blacklozenge$ Release voltage applied in opposite polarity to unlatch the solenoid

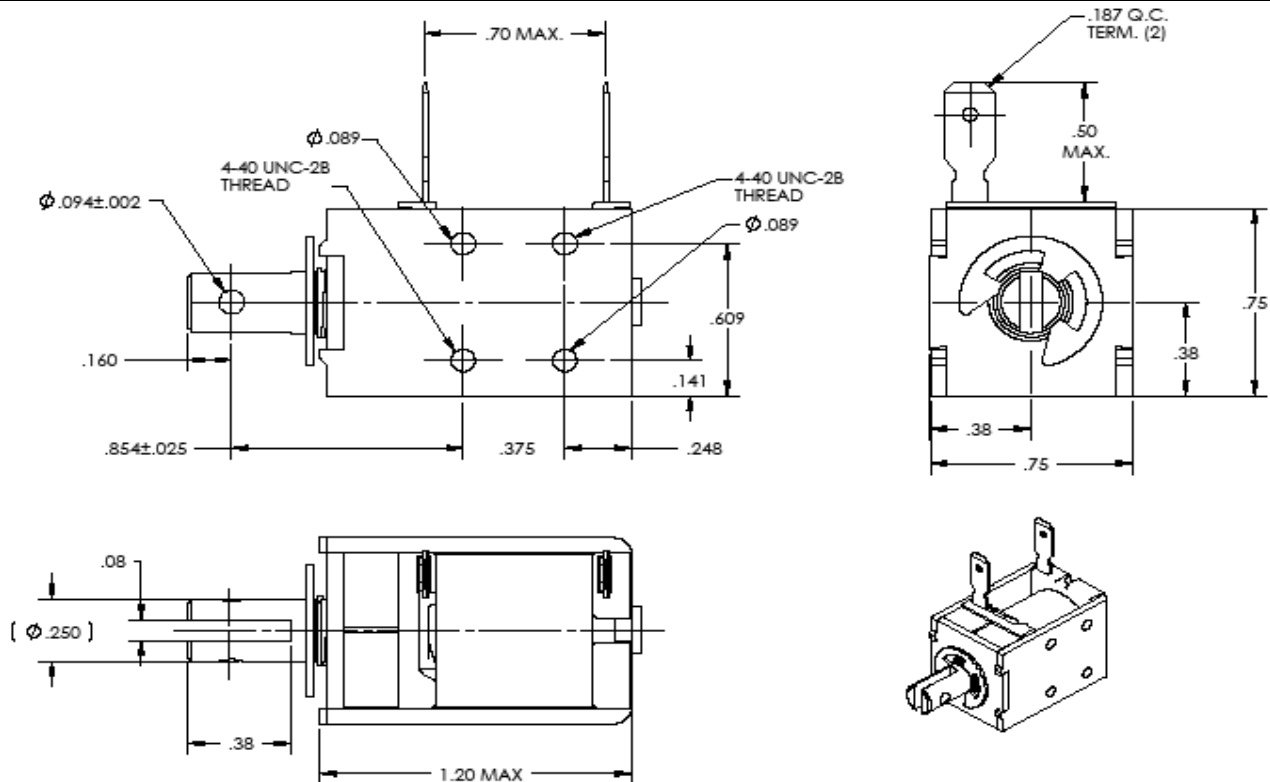
Definition of Duty Cycles:

**Continuous** = indefinite activation; **Intermittent** = 1 minute ON and 3 minutes OFF; **Pulse** = 100 msec. ON and 900 msec. OFF

**Special order options: 6 to 48 Volts, DC only; push-type configuration. Consult factory for other modifications.**

Stroke (in.):	Latched	1/16	1/8	1/4	3/8	1/2
Cont. Duty force	37 oz.	12 oz.	4 oz.	2 oz.	1 oz.	N/A
Int. Duty force	37 oz.	20 oz.	8 oz.	3 oz.	2 oz.	1 oz.
Pulse Duty force	37 oz.	36 oz.	25 oz.	10 oz.	4 oz.	2 oz.

Typical force values when operated at 100% rated voltage at 25°C. Derating required for lower voltage and higher temperature.



Solenoid shown energized, with plunger seated

**Insulation Materials: UL Construction, Class B 130°C**

**Copper magnet wire insulation rated 155°C (class F)**

**Voltage Breakdown Strength: 1500 VAC RMS**

**Life Expectancy: 10 million operations**