



Chipsmall Limited consists of a professional team with an average of over 10 year of expertise in the distribution of electronic components. Based in Hongkong, we have already established firm and mutual-benefit business relationships with customers from,Europe,America and south Asia,supplying obsolete and hard-to-find components to meet their specific needs.

With the principle of “Quality Parts,Customers Priority,Honest Operation,and Considerate Service”,our business mainly focus on the distribution of electronic components. Line cards we deal with include Microchip,ALPS,ROHM,Xilinx,Pulse,ON,Everlight and Freescale. Main products comprise IC,Modules,Potentiometer,IC Socket,Relay,Connector.Our parts cover such applications as commercial,industrial, and automotives areas.

We are looking forward to setting up business relationship with you and hope to provide you with the best service and solution. Let us make a better world for our industry!



## Contact us

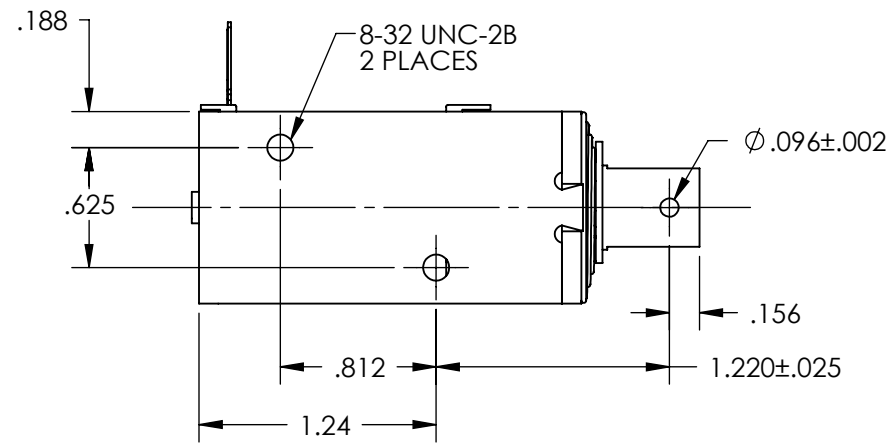
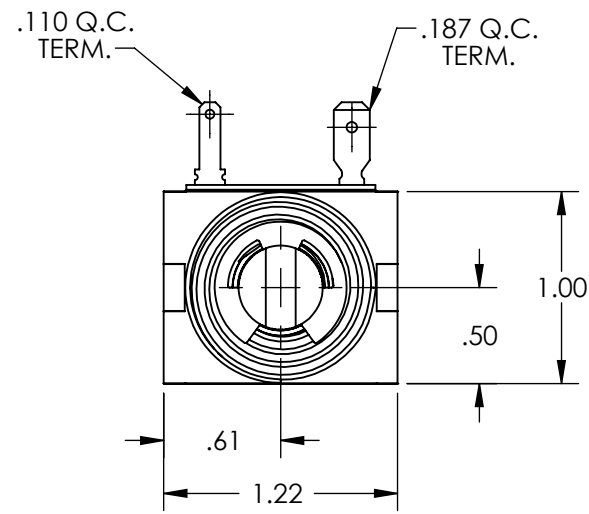
Tel: +86-755-8981 8866 Fax: +86-755-8427 6832

Email & Skype: info@chipsmall.com Web: www.chipsmall.com

Address: A1208, Overseas Decoration Building, #122 Zhenhua RD., Futian, Shenzhen, China

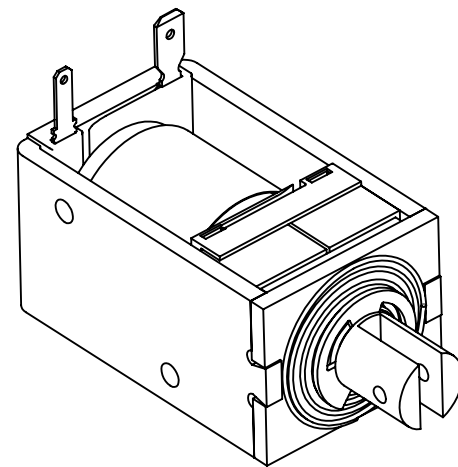
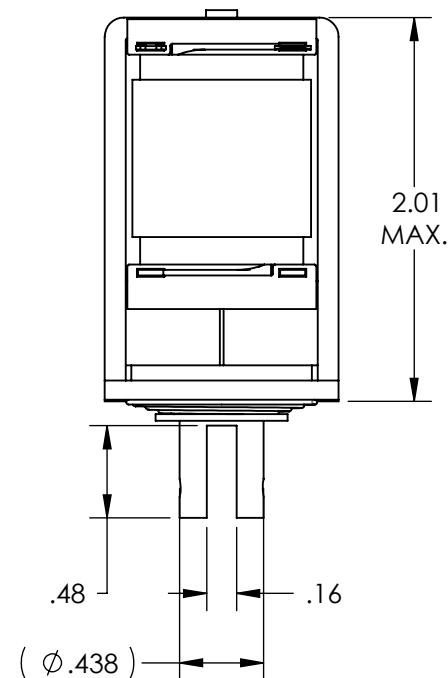
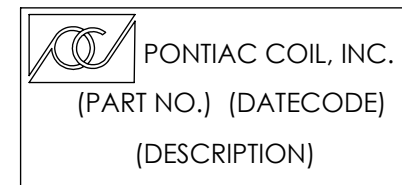


REVISIONS					
REV	BY	ECN	DESCRIPTION	DATE	APPD
A	RCH	04-018	RELEASE FOR PRODUCTION	8-20-04	RCH



PART NO.	DESCRIPTION	OHMS ± 10% @ 25°C ◊	PULL-IN VOLTS	RELEASE VOLTS	DIGI-KEY NO.
G0411A	M-82PL012D-07-SR	20.0	12.0	5.5-7.5	527-1042-ND
G0412A	M-82PL012D-20-SR	7.4	12.0	4.5-5.5	527-1043-ND
G0413A	M-82PL012D-70-SR	2.0	12.0	2.0-3.0	527-1044-ND
G0414A	M-82PL024D-07-SR	82.0	24.0	11.0-13.0	527-1045-ND
G0415A	M-82PL024D-20-SR	29.0	24.0	8.0-10.0	527-1046-ND
G0416A	M-82PL024D-70-SR	7.4	24.0	4.5-5.5	527-1047-ND

LABEL INFO:



**ACTUAL SIZE**

UNLESS OTHERWISE SPECIFIED ALL DIMENSIONS ARE IN INCHES DIMENSIONS IN [ ] ARE MILLIMETERS	MATL: SEE BOM PRINTS	PONTIAC COIL INC. TITLE: CUSTOMER DRAWING M82		
	FINISH/ PLATING: SEE BOM PRINTS			
TOLERANCES:	NEXT ASSY:	FILE NAME	SIZE	DWG NO.
X [X] ± .1	THIS DOCUMENT IS THE PROPERTY OF PONTIAC COIL INC. AND ALL CONTENTS ARE PROPRIETARY	CD-G041XA.SLDDRW	B	CD-G041XA
.XX [0.X] ± .01		CUSTOMER	CUSTOMER P/N	
.XXX [0.XX] ± .005	ANSI Y14.5M-1982	DIGI-KEY		
.XXXX [0.XXX] ± .0005		SCALE 1=1	MFCODE	SHEET 1 OF 1
FRACTIONS ± 1/32	FULL FILE NAME: E:\DWG\SPCS\CD-G041XA.SLDDRW			
ANGLES IN DEGREES ± 2°	DO NOT SCALE DRAWING			