



Chipsmall Limited consists of a professional team with an average of over 10 year of expertise in the distribution of electronic components. Based in Hongkong, we have already established firm and mutual-benefit business relationships with customers from,Europe,America and south Asia,supplying obsolete and hard-to-find components to meet their specific needs.

With the principle of “Quality Parts,Customers Priority,Honest Operation,and Considerate Service”,our business mainly focus on the distribution of electronic components. Line cards we deal with include Microchip,ALPS,ROHM,Xilinx,Pulse,ON,Everlight and Freescale. Main products comprise IC,Modules,Potentiometer,IC Socket,Relay,Connector.Our parts cover such applications as commercial,industrial, and automotives areas.

We are looking forward to setting up business relationship with you and hope to provide you with the best service and solution. Let us make a better world for our industry!



Contact us

Tel: +86-755-8981 8866 Fax: +86-755-8427 6832

Email & Skype: info@chipsmall.com Web: www.chipsmall.com

Address: A1208, Overseas Decoration Building, #122 Zhenhua RD., Futian, Shenzhen, China



THE INFORMATION CONTAINED HEREIN IS CONSIDERED "PROPRIETARY" TO BEL FUSE INC. AND SHALL NOT BE COPIED, REPRODUCED OR DISCLOSED WITHOUT THE WRITTEN APPROVAL OF BEL FUSE INC.



| LED1 POLARITY | | | LED2 POLARITY | | | |
|---------------|--------|-------|---------------|--------|--------|--------|
| PIN 13 | PIN 14 | COLOR | PIN 15 | PIN 16 | PIN 17 | COLOR |
| - | + | GREEN | - | + | / | YELLOW |
| / | / | / | / | + | - | GREEN |

ELECTRICAL CHARACTERISTICS @ 25°C

URNS RATIO

| | |
|-----|-----------|
| TP1 | 1CT : 1CT |
| TP2 | 1CT : 1CT |
| TP3 | 1CT : 1CT |
| TP4 | 1CT : 1CT |

INS. LOSS (MAX)

| | |
|---------------|---------|
| 1MHz TO 20MHz | -0.8 dB |
| 50MHz | -1.0 dB |
| 200MHz | -1.2 dB |
| 400MHz | -2.0 dB |
| 500MHz | -3.0 dB |

RET. LOSS (MIN)

| | |
|------------------|---------------------|
| 1MHz - 40MHz | -16 dB |
| 40MHz - 400 MHz | -16+10LOG (F/40) dB |
| 400MHz - 500 MHz | -6+30LOG (F/400) dB |

CM TO CM REJ

| | |
|---------------|------------|
| 1MHz - 500MHz | -30 dB MIN |
|---------------|------------|

CM TO DM REJ

| | |
|---------------|------------|
| 1MHz - 500MHz | -30 dB MIN |
|---------------|------------|

HIPOT (Isolation Voltage):

2250VDC

100% OF PRODUCTION TESTED TO COMPLY WITH IEEE 802.3 ISOLATION REQUIREMENTS.

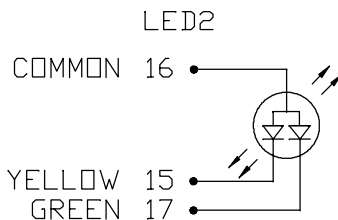
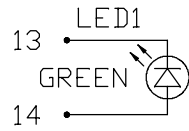
OPERATING TEMPERATURE: 0°C TO +70°C.

LED 1

| | | | |
|--------------------------------------|----------------------|-------|------------|
| V _F (FORWARD VOLTAGE) | I _F =20mA | GREEN | 2.2V TYP. |
| λ _D (DOMINANT WAVELENGTH) | I _F =20mA | GREEN | 570nm TYP. |

LED 2

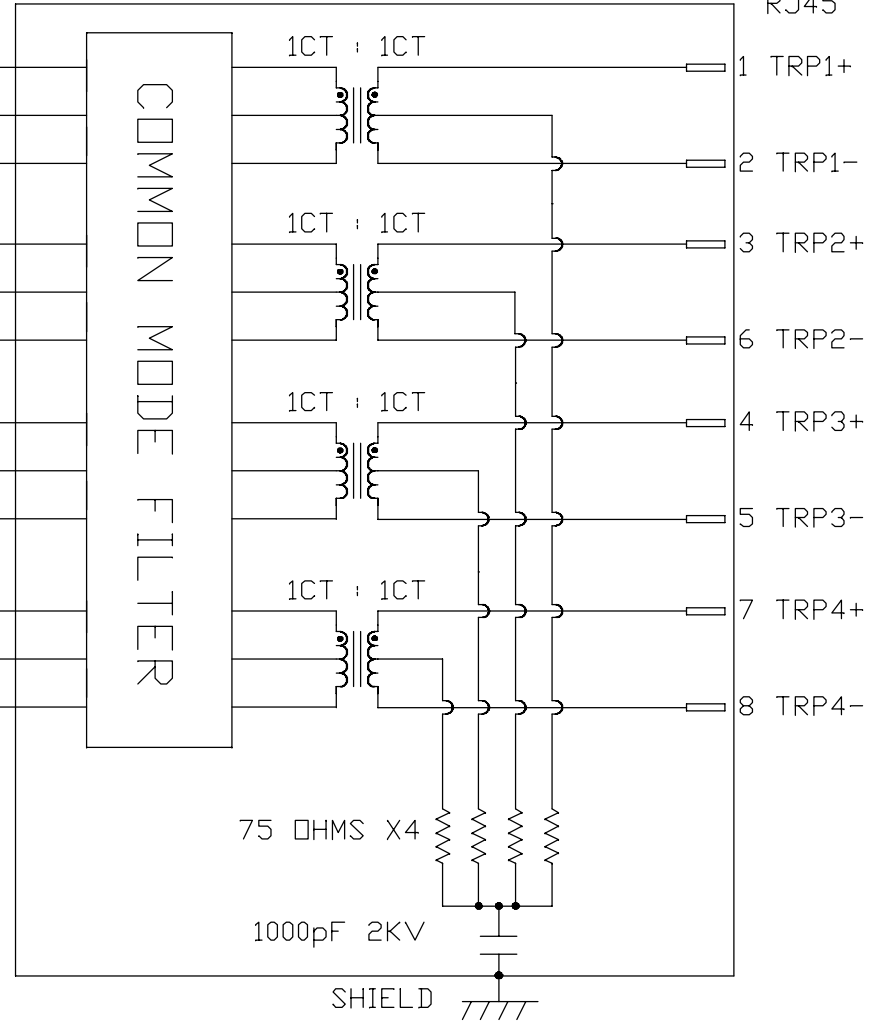
| | | | |
|--------------------------------------|----------------------|--------|------------|
| V _F (FORWARD VOLTAGE) | I _F =20mA | GREEN | 2.2V TYP. |
| | | YELLOW | 2.1V TYP. |
| λ _D (DOMINANT WAVELENGTH) | I _F =20mA | GREEN | 570nm TYP. |
| | | YELLOW | 590nm TYP. |



PIN

- TRD1+ 8
- TRCT1 7
- TRD1- 9
- TRD2+ 3
- TRCT2 1
- TRD2- 2
- TRD3+ 4
- TRCT3 6
- TRD3- 5
- TRD4+ 11
- TRCT4 12
- TRD4- 10

SCHEMATIC



RJ45

- 1 TRP1+
- 2 TRP1-
- 3 TRP2+
- 6 TRP2-
- 4 TRP3+
- 5 TRP3-
- 7 TRP4+
- 8 TRP4-

| | |
|--------------------------------|--|
| ORIGINATED BY CHOW WANCHUNG | TITLE 10 Gigabit MagJack® (Ultra Low Profile) PATENTED G10-1GHT-012E |
| DATE 2016-12-15 | |
| DRAWN BY LINFENG LI | PART NO. / DRAWING NO. G10-1GHT012E |
| DATE 2016-12-15 | |

| |
|---------------------------------|
| FILE NAME G10-1GHT012E_A.DWG |
|---------------------------------|

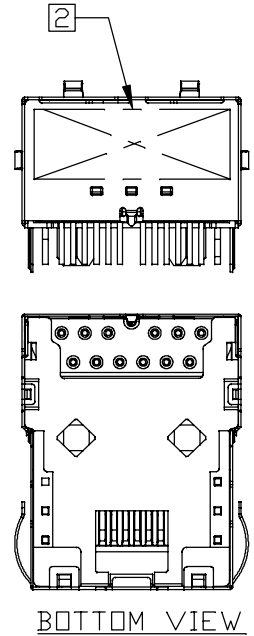
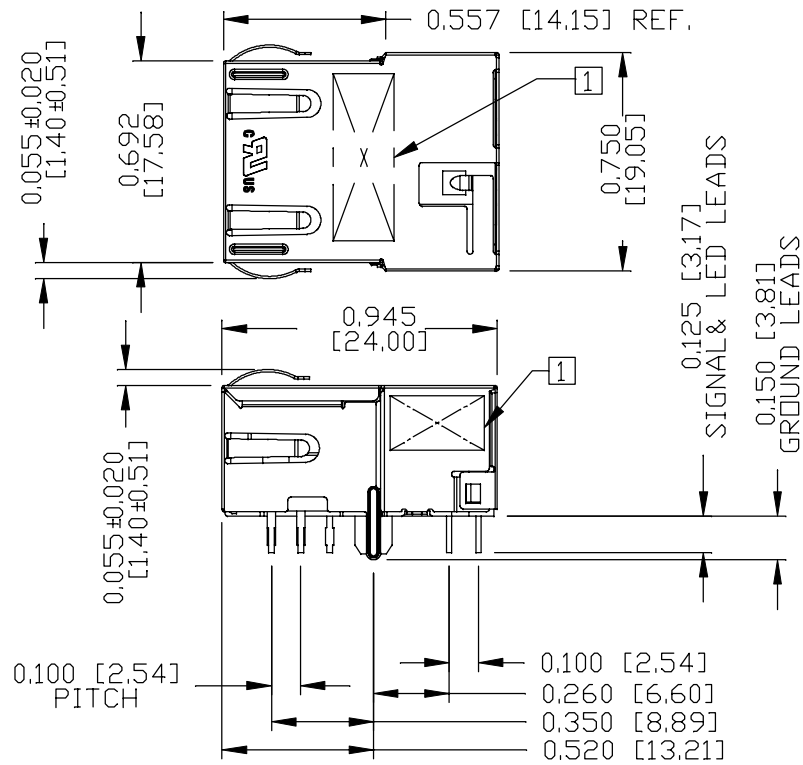
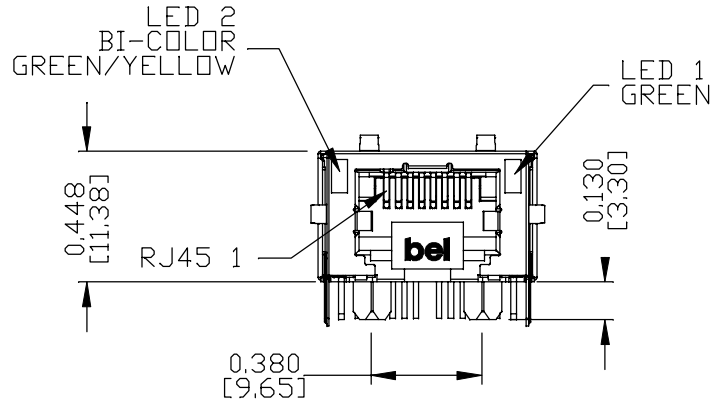
| | |
|-------------------------------|----------------------------|
| STANDARD DIM. TOL. IN INCH | [] METRIC DIM. AS REF. |
| .X | UNIT : INCH [mm] |
| .XX | SCALE : N/A |
| .XXX | SIZE : A4 |

| | |
|----------|----------|
| REV. : A | PAGE : 2 |
|----------|----------|



THE INFORMATION CONTAINED HEREIN IS CONSIDERED "PROPRIETARY" TO BEL FUSE INC. AND SHALL NOT BE COPIED, REPRODUCED OR DISCLOSED WITHOUT THE WRITTEN APPROVAL OF BEL FUSE INC.

MECHANICAL SPECIFICATION



NOTES:

- PLASTIC HOUSING: THERMOPLASTIC PA, BLACK, FLAMMABILITY RATING UL 94V-0
- CONTACTS: 50 MICRO-INCH HARD GOLD PLATING OR EQUIVALENT, 30 MICRO-INCH MIN NICKEL UNDERPLATE.
- OUTPUT PINS: TIN-COATED COPPER WIRE, DIA 0.018 INCH, 100 MICRO-INCH MIN MATTE TIN. PINS ARE SOLDER DIPPED.
- METAL SHIELD: NICKEL PLATED ON COPPER ALLOY. (ALL GROUND LEADS ARE SOLDER DIPPED)

- 1. MARK PART WITH PART NUMBER (G10-1GHT-012E), DATE CODE AND PATENTED.
- 2. MARK PART WITH MFG. LOGO, MFG. NAME ON BACK VIEW.
- 3. THE PRODUCT IS RoHS COMPLIANT AND HALOGEN FREE. JACK CAVITY CONFORMS TO FCC RULES AND REGULATIONS.

- 4. THE PART IS RECOMMENDED FOR WAVE SOLDERING, THE SUGGESTED PEAK WAVE SOLDERING CONDITION IS 260°C MAX AND 10 SECONDS MAX.
- 5. THE PRODUCT IS PATENT PRODUCT, THE PATENT NUMBER ARE U.S. PAT. 7,429,195 & U.S. PAT. 7,123,117 & U.S. PAT. 6,840,817 AND U.S. PAT. 7,924,130.
- 6. THE AXIAL RETENTION FORCE OF RJ PORT IS 15LBS MIN.

ORIGINATED BY
SANDY LIN
DATE 2016-12-15
DRAWN BY
XUE RIPING
DATE 2016-12-15

TITLE
10 Gigabit MagJack®
(Ultra Low Profile)
PATENTED
G10-1GHT-012E

PART NO. / DRAWING NO.
G10-1GHT012E
FILE NAME
G10-1GHT012E_A.DWG

| | |
|----------------------------|-------------------------|
| STANDARD DIM. TOL. IN INCH | [] METRIC DIM. AS REF. |
| .X | UNIT : INCH [mm] |
| .XX | SCALE : N/A |
| .XXX | SIZE : A4 |

REV. : A PAGE : 3

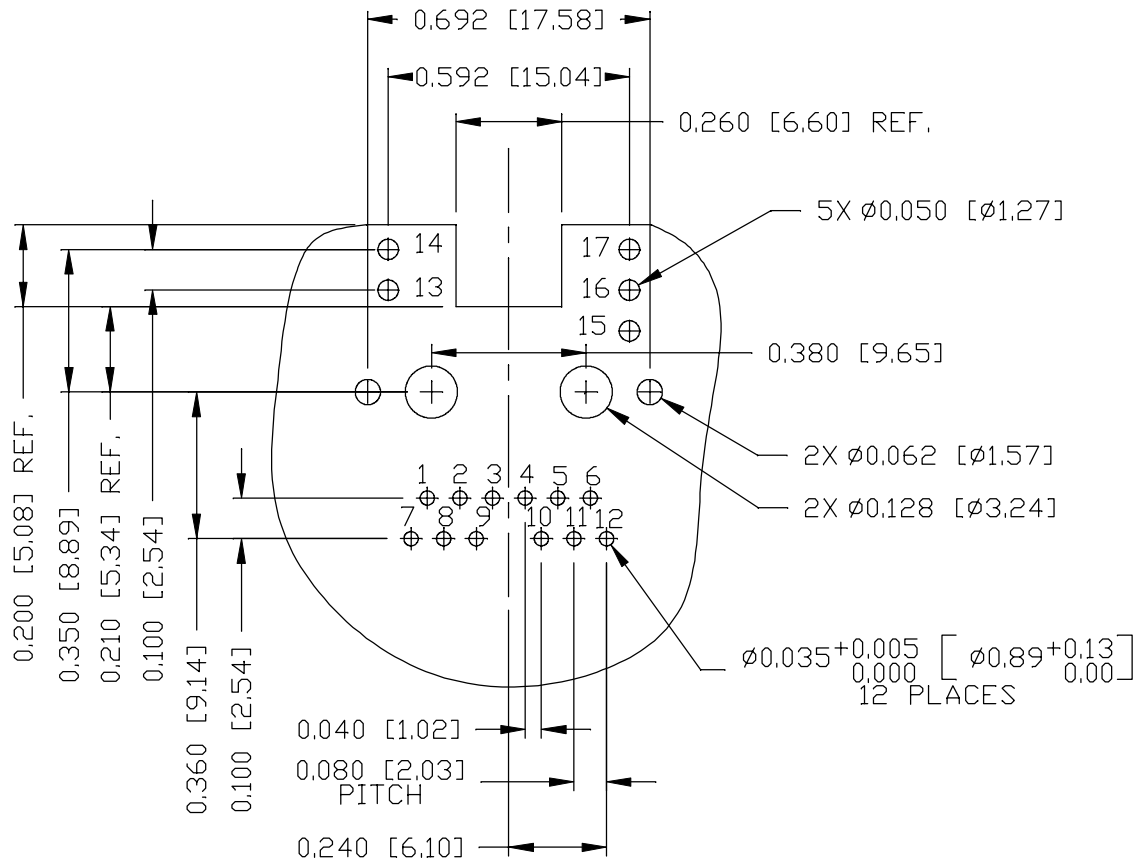


THE INFORMATION CONTAINED HEREIN IS CONSIDERED "PROPRIETARY" TO BEL FUSE INC. AND SHALL NOT BE COPIED, REPRODUCED OR DISCLOSED WITHOUT THE WRITTEN APPROVAL OF BEL FUSE INC.



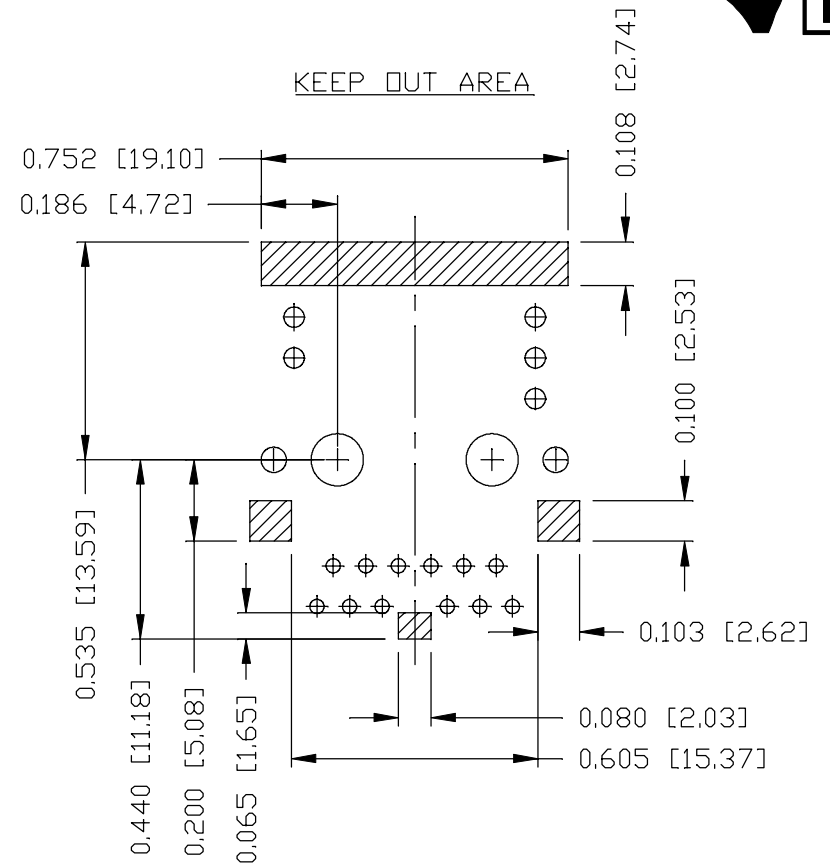
RECOMMENDED PCB FOOTPRINT

COMPONENT SIDE VIEW



FOR ONE UNIT

KEEP OUT AREA



THE SHADED AREA ON THE CUSTOMER BOARD ARE RECOMMENDED TO BE CLEAR OFF ANY VIA HOLE OR COMPONENT PAD.

ORIGINATED BY
SANDY LIN
DATE 2016-12-15

DRAWN BY
XUE RIPING
DATE 2016-12-15

TITLE
10 Gigabit MagJack®
(Ultra Low Profile)
PATENTED
G10-1GHT-012E

PART NO. / DRAWING NO.
G10-1GHT012E

FILE NAME
G10-1GHT012E_A.DWG

| | |
|-------------------------------|----------------------------|
| STANDARD DIM. TOL. IN INCH | [] METRIC DIM. AS REF. |
| .X | UNIT : INCH [mm] |
| .XX | SCALE : N/A |
| .XXX | SIZE : A4 |

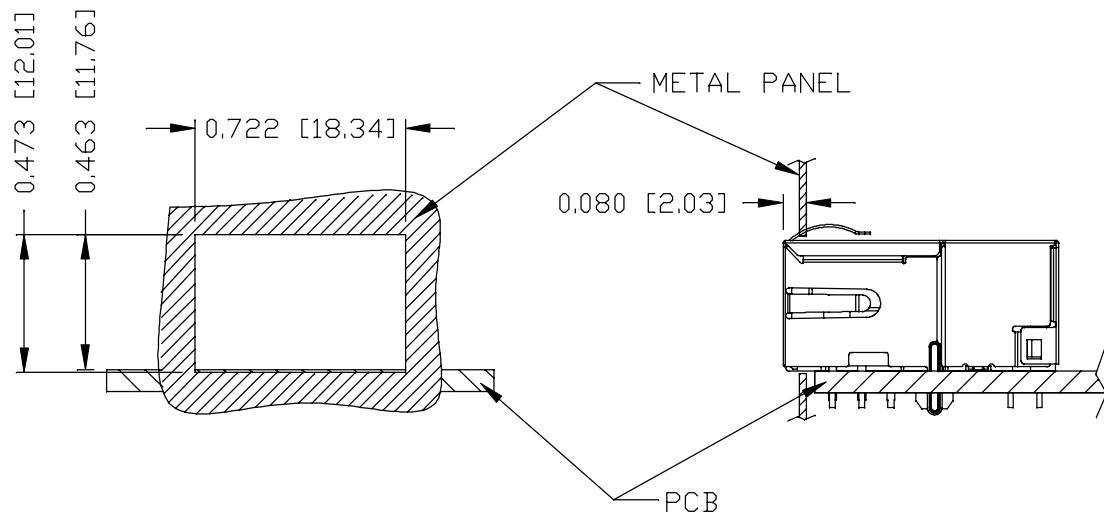
REV. : A PAGE : 4



THE INFORMATION CONTAINED HEREIN IS CONSIDERED "PROPRIETARY" TO BEL FUSE INC. AND SHALL NOT BE COPIED, REPRODUCED OR DISCLOSED WITHOUT THE WRITTEN APPROVAL OF BEL FUSE INC.



SUGGESTED PANEL OPENING



NOTE:

THE DISTANCE OF PANEL INSIDE SURFACE RELATIVE TO FRONT SURFACE OF PART IS ONLY A SUGGESTION. IN CASE THIS DISTANCE IS DIFFERENT, THE REQUIRED PANEL OPENING DIMENSIONS CHANGE ACCORDINGLY.

TRAY PACKING INFORMATION

PACKING TRAY : 0200-9999-E4 (TOP)
0200-9999-E5 (BOTTOM)

PACKING QUANTITY : 60 PCS FINISHED GOODS PER TRAY
11 TRAYS (660 PCS FINISHED GOODS) PER CARTON BOX

NOTE : CARDBOARDS ARE PLACED BETWEEN LAYERS OF PACKING TRAY INSIDE CARTON BOX (INCLUDE THE UPPERMOST AND LOWERMOST TRAY)

| | |
|----------|----------|
| REV. : A | PAGE : 5 |
|----------|----------|

| |
|---|
| ORIGINATED BY SANDY LIN DATE 2016-12-15 |
| DRAWN BY XUE RIPING DATE 2016-12-15 |

| |
|--|
| TITLE 10 Gigabit MagJack® (Ultra Low Profile) PATENTED G10-1GHT-012E |
|--|

| |
|--|
| PART NO. / DRAWING NO. G10-1GHT012E |
| FILE NAME G10-1GHT012E_A.DWG |

| | |
|-------------------------------|----------------------------|
| STANDARD DIM. TOL. IN INCH | [] METRIC DIM. AS REF. |
| .X | UNIT : INCH [mm] |
| .XX | SCALE : N/A |
| .XXX ±0.004 | SIZE : A4 |

