



Chipsmall Limited consists of a professional team with an average of over 10 year of expertise in the distribution of electronic components. Based in Hongkong, we have already established firm and mutual-benefit business relationships with customers from,Europe,America and south Asia,supplying obsolete and hard-to-find components to meet their specific needs.

With the principle of “Quality Parts,Customers Priority,Honest Operation,and Considerate Service”,our business mainly focus on the distribution of electronic components. Line cards we deal with include Microchip,ALPS,ROHM,Xilinx,Pulse,ON,Everlight and Freescale. Main products comprise IC,Modules,Potentiometer,IC Socket,Relay,Connector.Our parts cover such applications as commercial,industrial, and automotives areas.

We are looking forward to setting up business relationship with you and hope to provide you with the best service and solution. Let us make a better world for our industry!



Contact us

Tel: +86-755-8981 8866 Fax: +86-755-8427 6832

Email & Skype: info@chipsmall.com Web: www.chipsmall.com

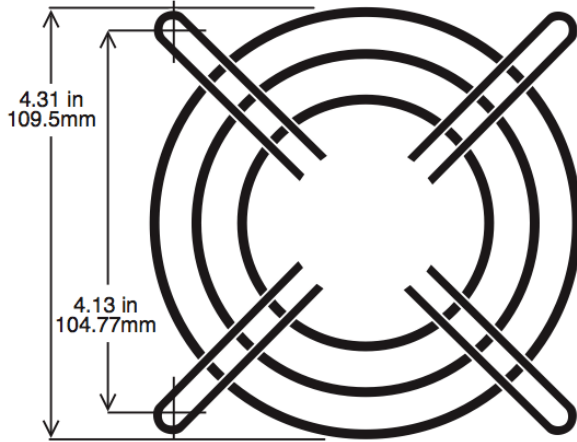
Address: A1208, Overseas Decoration Building, #122 Zhenhua RD., Futian, Shenzhen, China



G109 Series



Fan Guards for 120mm Fan



PART NO. G109-3A

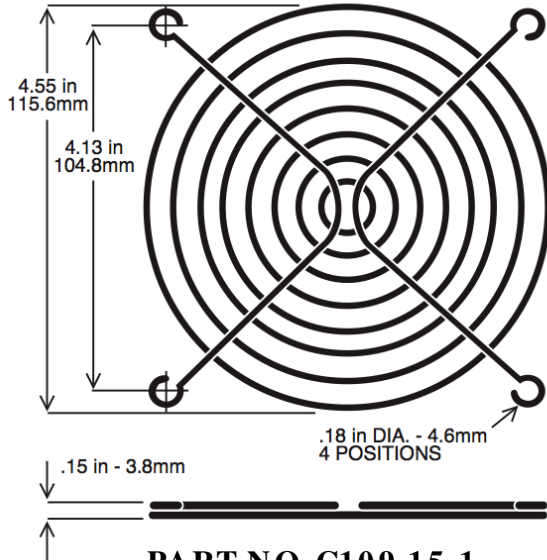
WIRE DIAMETER.
RING DIA: 1.6 mm
RIB DIA: 1.6 mm
FINISH: BRIGHT NICKEL CHROME

PART NO. G109-3A/ PK

10-PACK G109-3A GUARDS,
BOXED

NOTES:

1. MATERIAL: C1008 BRIGHT BASIC WIRE
2. WELD JOINTS TO WITHSTAND 88 LBS PULL FORCE
3. GENERAL TOLERANCE UNLESS NOTED +/-0.5 mm
4. PART MEETS 6.35 mm PLUG GAUGE TEST



PART NO. G109-15-1

WIRE DIAMETER.
RING DIA: 1.8 mm
RIB DIA: 1.8 mm
FINISH: BRIGHT NICKEL CHROME

PART NO. G109-15-1/ PK

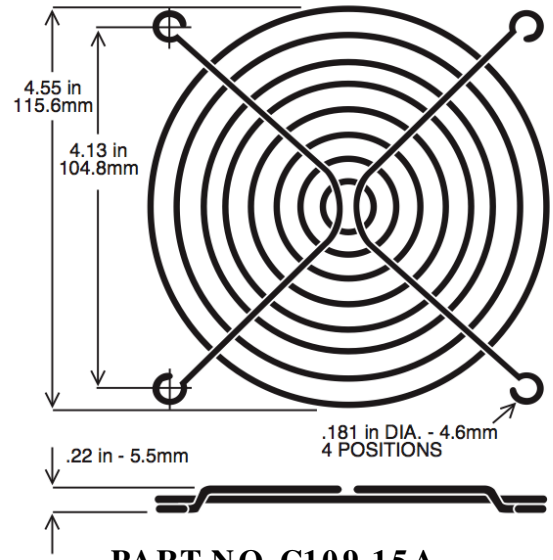
10-PACK G109-15-1 GUARDS, BOXED

PART NO. G109-15B-1

WIRE DIAMETER.
RING DIA: 1.8 mm
RIB DIA: 2.3 mm
FINISH: BLACK

PART NO. G109-15B-1/ PK

10-PACK G109-15B-1 GUARDS, BOXED



PART NO. G109-15A

WIRE DIAMETER.
RING DIA: 1.8 mm
RIB DIA: 1.8 mm
FINISH: BRIGHT NICKEL CHROME

PART NO. G109-15A/ PK

10-PACK G109-15A GUARDS, BOXED

PART NO. G109-15AB

WIRE DIAMETER.
RING DIA: 1.8 mm
RIB DIA: 1.8 mm
FINISH: BLACK

PART NO. G109-15AB/ PK

10-PACK G109-15AB GUARDS, BOXED