



Chipsmall Limited consists of a professional team with an average of over 10 year of expertise in the distribution of electronic components. Based in Hongkong, we have already established firm and mutual-benefit business relationships with customers from,Europe,America and south Asia,supplying obsolete and hard-to-find components to meet their specific needs.

With the principle of “Quality Parts,Customers Priority,Honest Operation,and Considerate Service”,our business mainly focus on the distribution of electronic components. Line cards we deal with include Microchip,ALPS,ROHM,Xilinx,Pulse,ON,Everlight and Freescale. Main products comprise IC,Modules,Potentiometer,IC Socket,Relay,Connector.Our parts cover such applications as commercial,industrial, and automotives areas.

We are looking forward to setting up business relationship with you and hope to provide you with the best service and solution. Let us make a better world for our industry!



## Contact us

Tel: +86-755-8981 8866 Fax: +86-755-8427 6832

Email & Skype: info@chipsmall.com Web: www.chipsmall.com

Address: A1208, Overseas Decoration Building, #122 Zhenhua RD., Futian, Shenzhen, China



THE INFORMATION CONTAINED HEREIN IS CONSIDERED "PROPRIETARY" TO BEL FUSE INC. AND SHALL NOT BE COPIED, REPRODUCED OR DISCLOSED WITHOUT THE WRITTEN APPROVAL OF BEL FUSE INC.

LED1 POLARITY				LED2 POLARITY			
PIN 16	PIN 17	PIN 18	COLOR	PIN 19	PIN 20	PIN 21	COLOR
-	+	/	ORANGE	-	+	/	ORANGE
/	+	-	GREEN	/	+	-	GREEN

RoHS



ELECTRICAL CHARACTERISTICS @ 25°C

URNS RATIO

TP1	1CT : 1CT ±2%
TP2	1CT : 1CT ±2%
TP3	1CT : 1CT ±2%
TP4	1CT : 1CT ±2%

INS. LOSS (MAX)

1MHz TO 20MHz	-0.8 dB
50MHz	-1.0 dB
200MHz	-1.2 dB
400MHz	-2.0 dB
500MHz	-3.0 dB

RET. LOSS (MIN) @ 100 OHMS

1MHz	-18 dB
2MHz	-20 dB
10MHz	-20 dB
100MHz	-20 dB
200MHz	-18 dB
300MHz	-15 dB
400MHz	-10 dB
500MHz	-8 dB

CM TO CM REJ

1MHz - 500MHz	-25 dB MIN
---------------	------------

CM TO DM REJ

1MHz - 500MHz	-25 dB MIN
---------------	------------

HIPOT (Isolation Voltage):

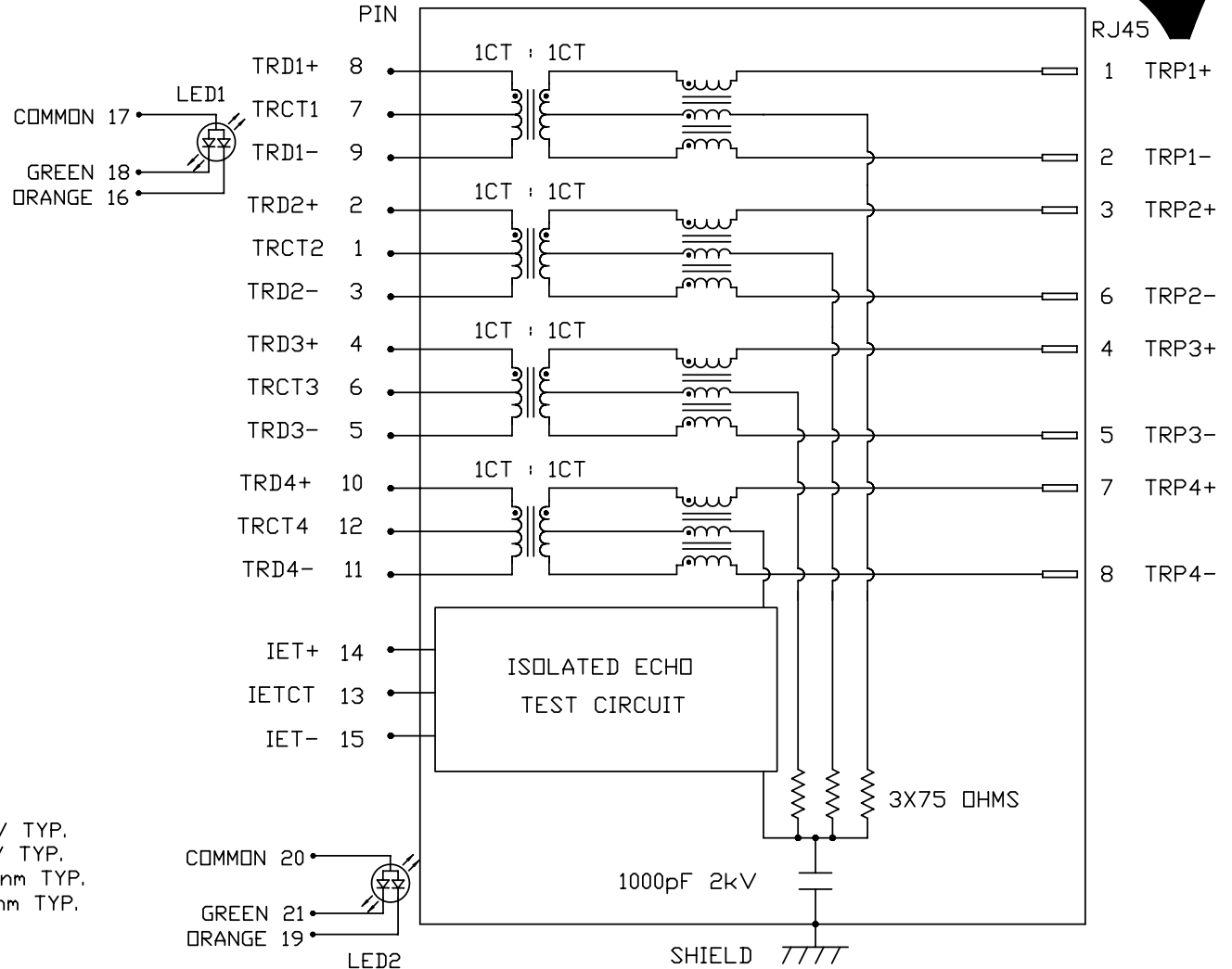
2250 VDC

100% OF PRODUCTION TESTED TO COMPLY WITH IEEE 802.3 ISOLATION REQUIREMENTS.

LED 1 & LED 2

VF (FORWARD VOLTAGE)	IF=20mA	GREEN	2.2V TYP.
		ORANGE	2.0V TYP.
λD (DOMINANT WAVELENGTH)	IF=20mA	GREEN	565nm TYP.
		ORANGE	610nm TYP.

SCHEMATIC



ORIGINATED BY	DATE
CHOW WANCHUNG	2012-06-26
DRAWN BY	DATE
CHEN SILIANG	2012-06-26

TITLE
10 Gigabit MagJack® (Ultra Low Profile) PATENTED

PART NO. / DRAWING NO.
G12-1JJT-038
FILE NAME
G12-1JJT-038_D.DWG

STANDARD DIM. TOL. IN INCH
.X
.XX
.XXX

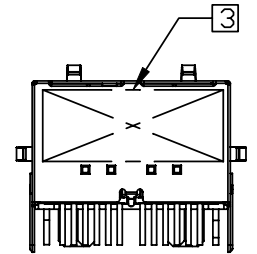
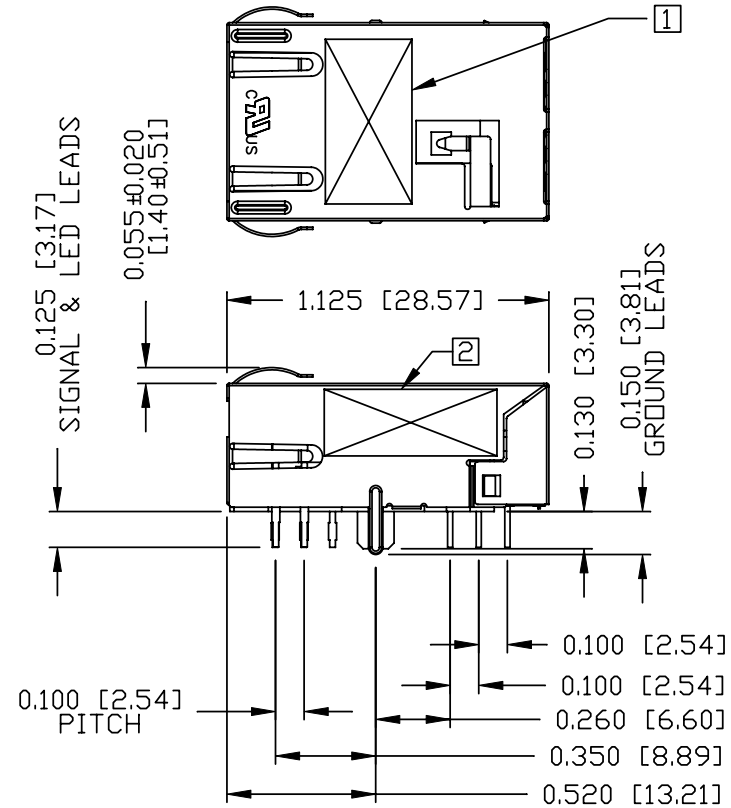
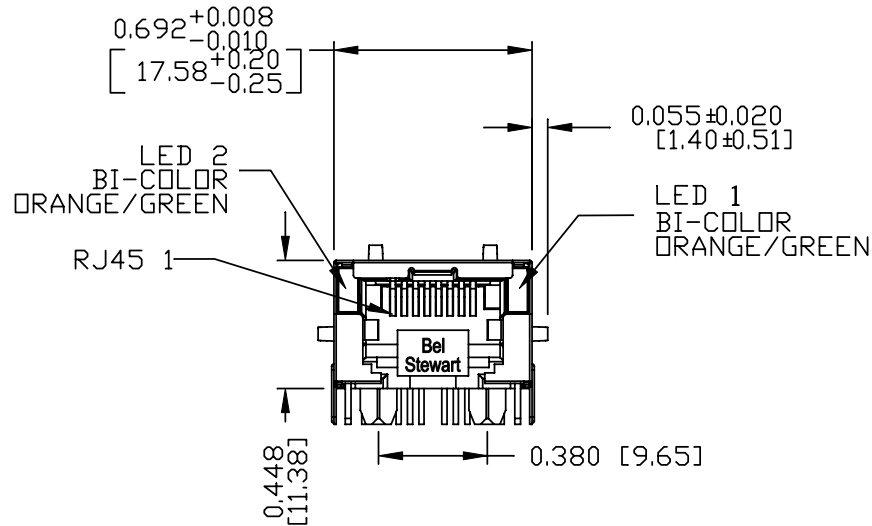
[ ] METRIC DIM. AS REFERENCE
UNIT : INCH [mm]
SCALE : N/A
REV. : D
SIZE : A4
PAGE : 2



THE INFORMATION CONTAINED HEREIN IS CONSIDERED "PROPRIETARY" TO BEL FUSE INC. AND SHALL NOT BE COPIED, REPRODUCED OR DISCLOSED WITHOUT THE WRITTEN APPROVAL OF BEL FUSE INC.

MECHANICAL SPECIFICATION

RoHS



NOTES:

- PLASTIC HOUSING: THERMOPLASTIC PA.  
FLAMMABILITY RATING UL 94V-0
- CONTACTS: 50 MICRO-INCH HARD GOLD PLATING OR EQUIVALENT.
- OUTPUT PINS: TIN-COATED COPPER WIRE, DIA 0.018 INCH.
- METAL SHIELD: NICKEL PLATED ON COPPER ALLOY.  
(ALL GROUND LEADS ARE SOLDER DIPPED)

- 1. MARK PART WITH PART NUMBER AND DATE CODE
- 2. MARK PART WITH MFG. LOGO AND MFG. NAME.
- 3. "PATENTED" MARKING, THE PRODUCT IS PATENT PRODUCT.  
THE PATENT NUMBERS ARE U.S. PAT. 7,429,195  
AND U.S. PAT. 7,123,117 AND U.S. PAT. 5,736,910.  
AND U.S. PAT. 6,840,817 AND U.S. PAT. 7,924,130.

- 4. THE PRODUCT IS RoHS COMPLIANT.
- 5. JACK CAVITY CONFORMS TO FCC RULES AND REGULATIONS.
- 6. THE AXIAL RETENTION FORCE OF RJ PORT IS 15LBS MIN.

ORIGINATED BY ANTON LIAO	DATE 2012-06-26	TITLE 10 Gigabit MagJack® (Ultra Low Profile) PATENTED	PART NO. / DRAWING NO. G12-1JJT-038		STANDARD DIM. TOL. IN INCH		[ ] METRIC DIM. AS REFERENCE		 COMPONENTS FOR A CONNECTED PLANET
			FILE NAME G12-1JJT-038_D.DWG	.X		UNIT : INCH [mm]	REV. : D		
DRAWN BY HE ZHEN	DATE 2012-06-26		.XX		SCALE : N/A	SIZE : A4			
			.XXX	±0.010		PAGE : 3			

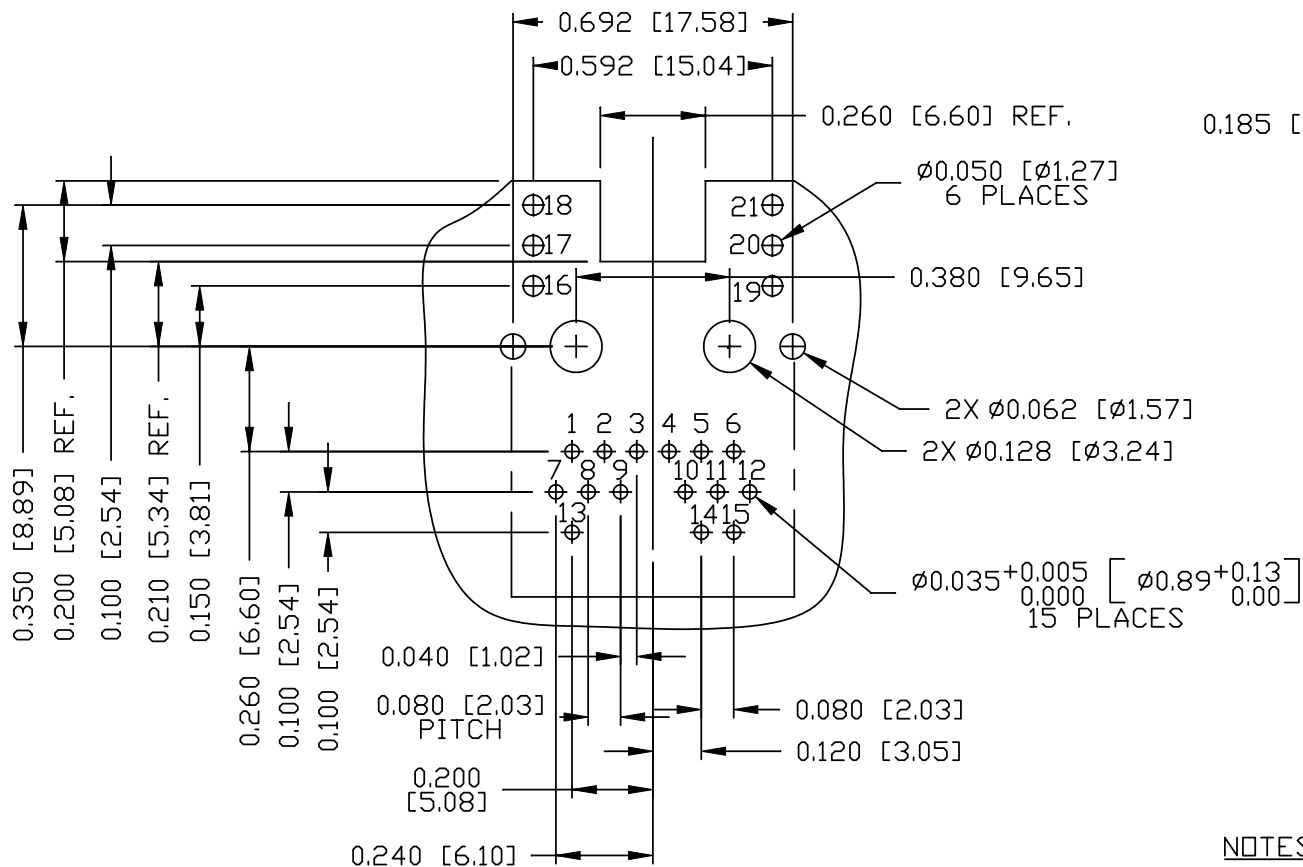
THE INFORMATION CONTAINED HEREIN IS CONSIDERED "PROPRIETARY" TO BEL FUSE INC. AND SHALL NOT BE COPIED, REPRODUCED OR DISCLOSED WITHOUT THE WRITTEN APPROVAL OF BEL FUSE INC.

RECOMMENDED PCB FOOTPRINT

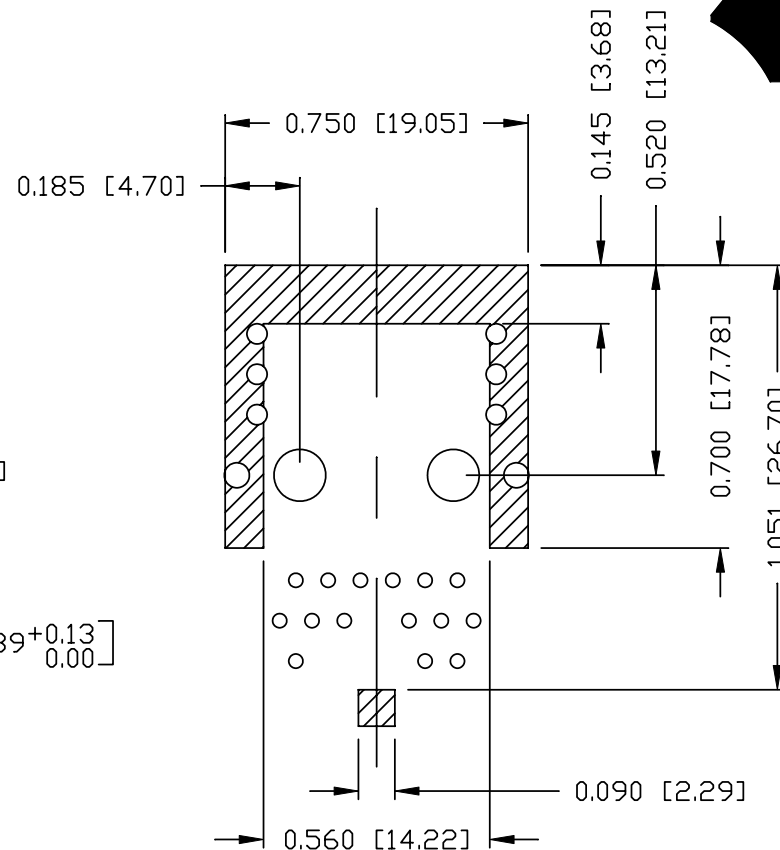
RoHS



COMPONENT SIDE VIEW



FOR ONE UNIT



NOTES:

THE SHADED AREA ON THE CUSTOMER BOARD ARE RECOMMENDED TO BE CLEAR OFF ANY VIA HOLE OR COMPONENT PAD.

ORIGINATED BY ANTON LIAO	DATE 2012-06-26
DRAWN BY HE ZHEN	DATE 2012-06-26

TITLE 10 Gigabit MagJack® (Ultra Low Profile) PATENTED
---

PART NO. / DRAWING NO. G12-1JJT-038
FILE NAME G12-1JJT-038_D.DWG

STANDARD DIM. TOL. IN INCH
.X
.XX
.XXX
±0.004

[ ] METRIC DIM. AS REFERENCE	
UNIT : INCH [mm]	REV. : D
SCALE : N/A	SIZE : A4
	PAGE : 4

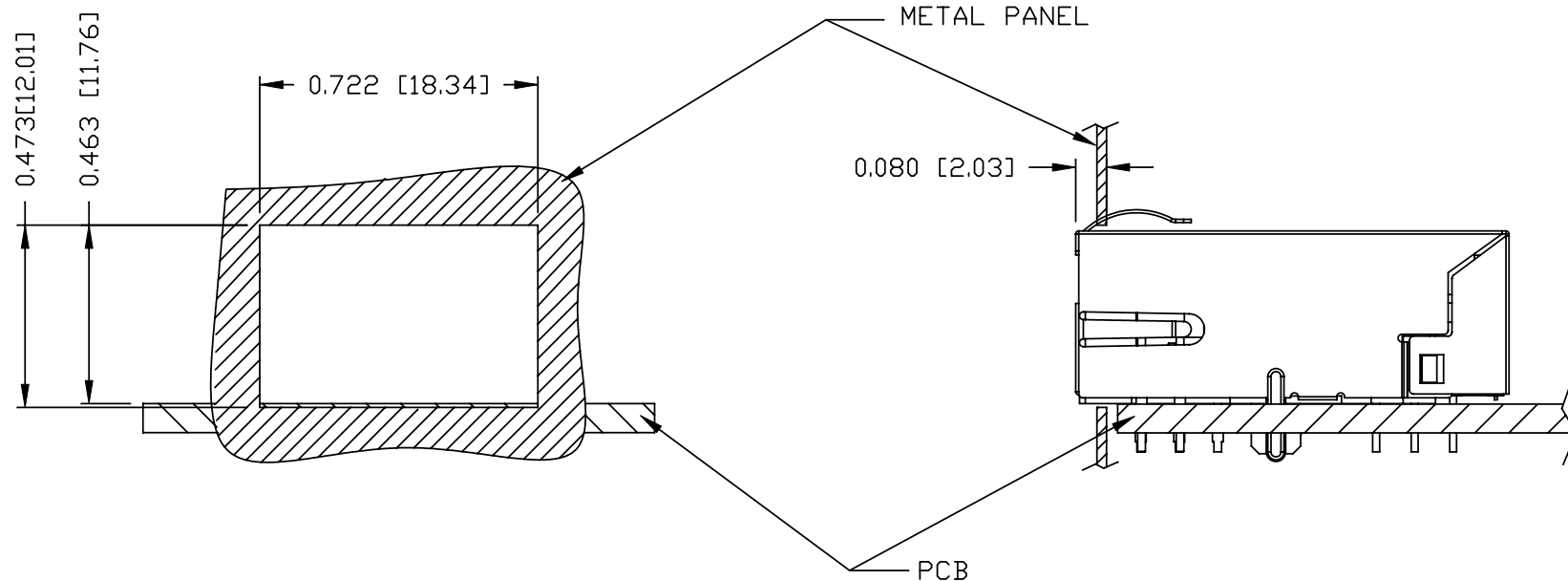


THE INFORMATION CONTAINED HEREIN IS CONSIDERED "PROPRIETARY" TO BEL FUSE INC. AND SHALL NOT BE COPIED, REPRODUCED OR DISCLOSED WITHOUT THE WRITTEN APPROVAL OF BEL FUSE INC.

RoHS



SUGGESTED PANEL OPENING



NOTE:

THE DISTANCE OF PANEL INSIDE SURFACE RELATIVE TO FRONT SURFACE OF PART IS ONLY A SUGGESTION. IN CASE THIS DISTANCE IS DIFFERENT, THE REQUIRED PANEL OPENING DIMENSIONS CHANGE ACCORDINGLY.

TRAY PACKING INFORMATION

PACKING TRAY : 0200M9999-C6 (TOP)

0200M9999-C7 (BOTTOM)

PACKING QUANTITY : 50 PCS FINISHED GOODS PER TRAY

10 TRAYS (500 PCS FINISHED GOODS) PER CARTON BOX

NOTE : CARDBOARDS ARE PLACED BETWEEN LAYERS OF PACKING TRAY INSIDE CARTON BOX (INCLUDE THE UPPERMOST AND LOWERMOST TRAY)

<b>ORIGINATED BY</b> ANTON LIAO	<b>DATE</b> 2012-06-26	<b>TITLE</b> 10 Gigabit MagJack® (Ultra Low Profile) PATENTED	<b>PART NO. / DRAWING NO.</b> G12-1JJT-038	<b>STANDARD DIM. TOL. IN INCH</b>	<b>[ ] METRIC DIM. AS REFERENCE</b>	<b>bel</b> COMPONENTS FOR A CONNECTED PLANET
<b>DRAWN BY</b> HE ZHEN	<b>DATE</b> 2012-06-26		<b>FILE NAME</b> G12-1JJT-038_D.DWG	.X .XX .XXX	UNIT : INCH [mm] SCALE : N/A ⊕	