



Chipsmall Limited consists of a professional team with an average of over 10 year of expertise in the distribution of electronic components. Based in Hongkong, we have already established firm and mutual-benefit business relationships with customers from,Europe,America and south Asia,supplying obsolete and hard-to-find components to meet their specific needs.

With the principle of “Quality Parts,Customers Priority,Honest Operation,and Considerate Service”,our business mainly focus on the distribution of electronic components. Line cards we deal with include Microchip,ALPS,ROHM,Xilinx,Pulse,ON,Everlight and Freescale. Main products comprise IC,Modules,Potentiometer,IC Socket,Relay,Connector.Our parts cover such applications as commercial,industrial, and automotives areas.

We are looking forward to setting up business relationship with you and hope to provide you with the best service and solution. Let us make a better world for our industry!



Contact us

Tel: +86-755-8981 8866 Fax: +86-755-8427 6832

Email & Skype: info@chipsmall.com Web: www.chipsmall.com

Address: A1208, Overseas Decoration Building, #122 Zhenhua RD., Futian, Shenzhen, China



Customer Information Sheet

DRAWING No.: G125-964XX00

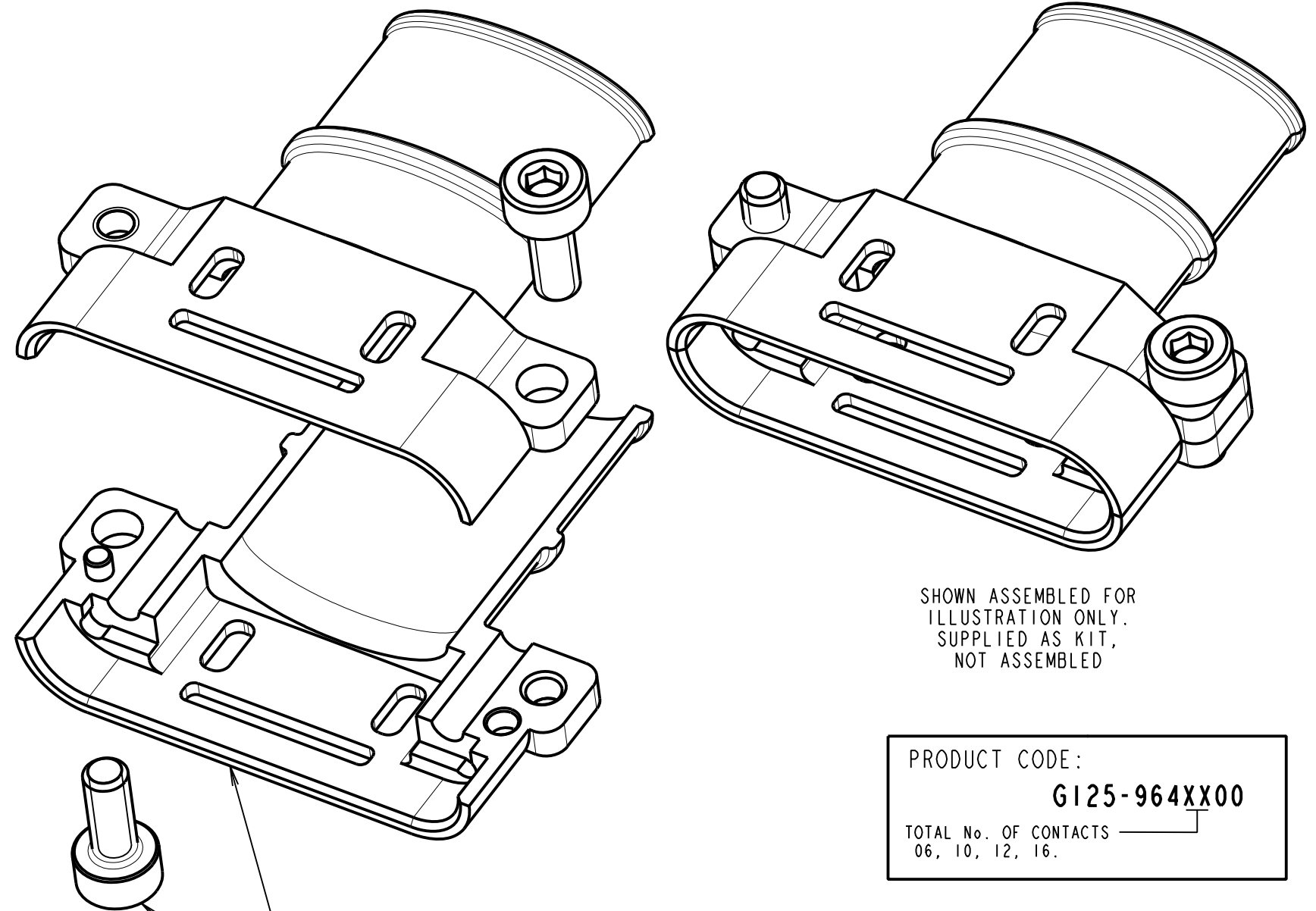
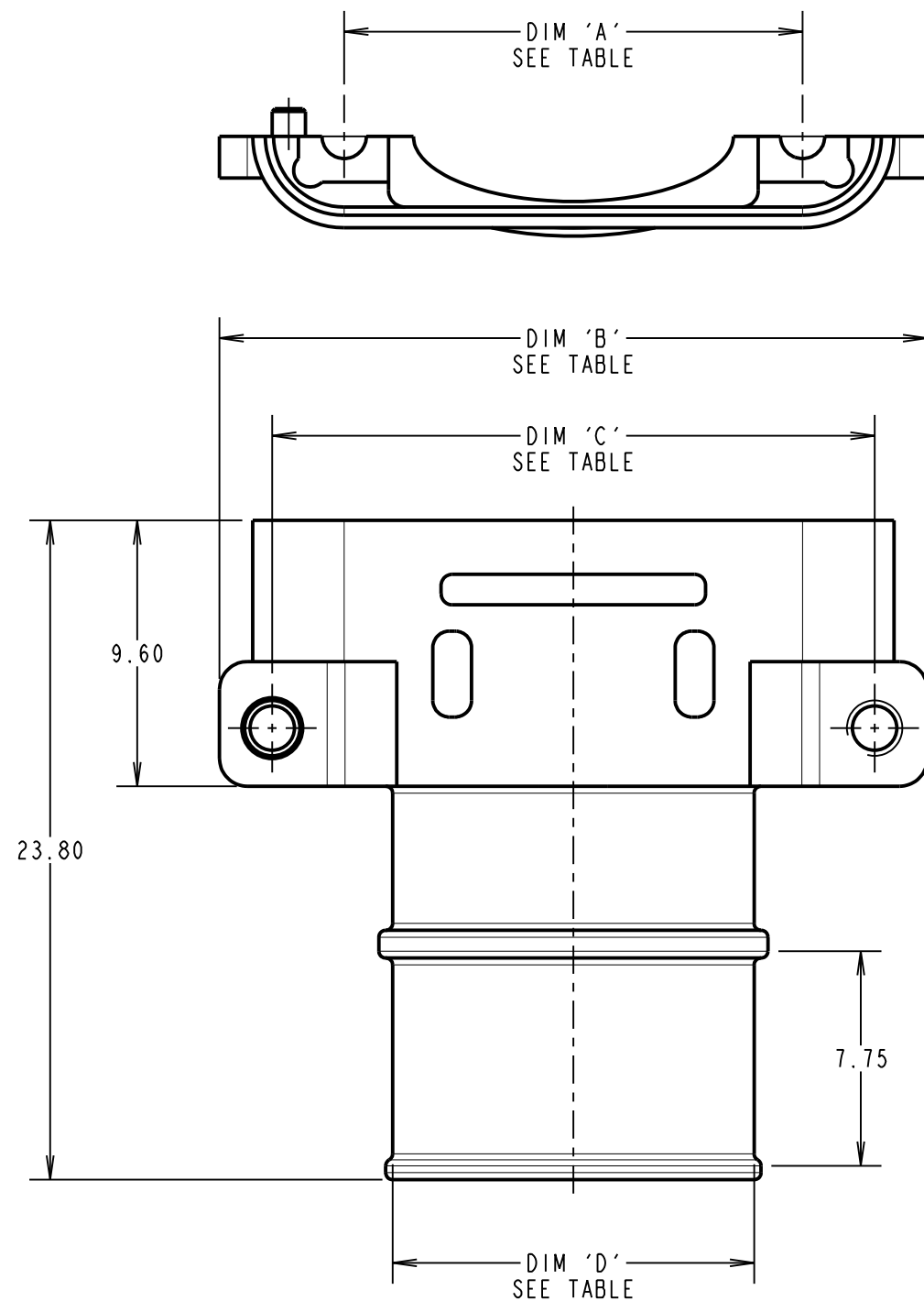
IF IN DOUBT - ASK

©

NOT TO SCALE

THIRD ANGLE PROJECTION

ALL DIMENSIONS IN mm



M2 SOCKET CAP HOOD
RETAINING SCREW (2-OFF)

PAIR OF METAL SHELLS
WITH TIE-DEX MICRO
BAND (1-OFF)

PRODUCT CODE:
G125-964XX00
TOTAL No. OF CONTACTS _____
06, 10, 12, 16.

SPECIFICATION:
MATERIAL:
HOOD SHELL = ALUMINIUM
SCREWS AND TIE-BAND = STAINLESS STEEL
FINISH:
HOOD SHELL = NICKEL

- NOTES:
- SUPPLIED AS A KIT OF PARTS TO BE ASSEMBLED TO G125-324XX96M2 SERIES OF CONNECTORS.
 - SUPPLIED WITH 1 x BAND-IT A31188 TIE-DEX MICRO BAND (NOT SHOWN). SUITABLE FOR USE WITH A30199 MICRO TIE-DEX II TOOL OR A59099 TOOL KIT.
 - FITTING TIE-BAND IS OPTIONAL.

PART NUMBER	DIM 'A'	DIM 'B'	DIM 'C'	DIM 'D'
G125-9640600	10.30	19.30	15.50	6.80
G125-9641000	12.80	21.80	18.00	9.30
G125-9641200	14.05	23.05	19.25	10.55
G125-9641600	16.55	25.55	21.75	13.05

MGP	B	DATE	C/NOTE
MGP	B	16.12.16	20316
APPROVED: MGP			
CHECKED: MS			
DRAWN: MARK G PLESTED			
CUSTOMER REF.:			
ASSEMBLY DRG:			

HARWIN
www.harwin.com
technical@harwin.com

THIS DRAWING AND ANY INFORMATION OR DESCRIPTIVE MATTER SET OUT HEREON ARE CONFIDENTIAL AND COPYRIGHT PROPERTY OF THE HARWIN GROUP AND MUST NOT BE DISCLOSED, LOANED, COPIED OR USED FOR MANUFACTURING, TENDERING OR FOR ANY OTHER PURPOSE WITHOUT THEIR WRITTEN PERMISSION.

TOLERANCES
X. = ±1mm
X.X = ±0.50mm
X.XX = ±0.10mm
X.XXX = ±0.01mm
ANGLES = ±5°
UNLESS STATED

MATERIAL:
SEE ABOVE
FINISH: SEE ABOVE
S/AREA: mm²

TITLE:
G125 J-TEK SERIES
HOOD KIT
DRAWING NUMBER:
G125-964XX00
SHT
2 OF 2