



Chipsmall Limited consists of a professional team with an average of over 10 year of expertise in the distribution of electronic components. Based in Hongkong, we have already established firm and mutual-benefit business relationships with customers from,Europe,America and south Asia,supplying obsolete and hard-to-find components to meet their specific needs.

With the principle of “Quality Parts,Customers Priority,Honest Operation,and Considerate Service”,our business mainly focus on the distribution of electronic components. Line cards we deal with include Microchip,ALPS,ROHM,Xilinx,Pulse,ON,Everlight and Freescale. Main products comprise IC,Modules,Potentiometer,IC Socket,Relay,Connector.Our parts cover such applications as commercial,industrial, and automotives areas.

We are looking forward to setting up business relationship with you and hope to provide you with the best service and solution. Let us make a better world for our industry!



Contact us

Tel: +86-755-8981 8866 Fax: +86-755-8427 6832

Email & Skype: info@chipsmall.com Web: www.chipsmall.com

Address: A1208, Overseas Decoration Building, #122 Zhenhua RD., Futian, Shenzhen, China



THE INFORMATION CONTAINED HEREIN IS CONSIDERED "PROPRIETARY" TO BEL FUSE INC. AND SHALL NOT BE COPIED, REPRODUCED OR DISCLOSED WITHOUT THE WRITTEN APPROVAL OF BEL FUSE INC.

LED 1 POLARITY			LED 2 POLARITY		
PIN 16	PIN 17	COLOR	PIN 18	PIN 19	COLOR
+	-	ORANGE	+	-	ORANGE
-	+	GREEN	-	+	GREEN

ELECTRICAL CHARACTERISTICS @ 25°C

TURNS RATIO

TP1	1CT : 1CT
TP2	1CT : 1CT
TP3	1CT : 1CT
TP4	1CT : 1CT

INS. LOSS (MAX)

1MHz TO 20MHz	-0.8 dB
50MHz	-1.0 dB
200MHz	-1.2 dB
400MHz	-2.0 dB
500MHz	-3.0 dB

RET. LOSS (MIN) @ 100 OHMS

1MHz	-18 dB
2MHz	-20 dB
10MHz	-20 dB
100MHz	-20 dB
200MHz	-18 dB
300MHz	-15 dB
400MHz	-10 dB
500MHz	-8 dB

CM TO CM REJ

1MHz - 500MHz	-25 dB MIN
---------------	------------

CM TO DM REJ

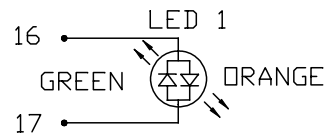
1MHz - 500MHz	-25 dB MIN
---------------	------------

HIPOT (Isolation Voltage): 2250 VDC

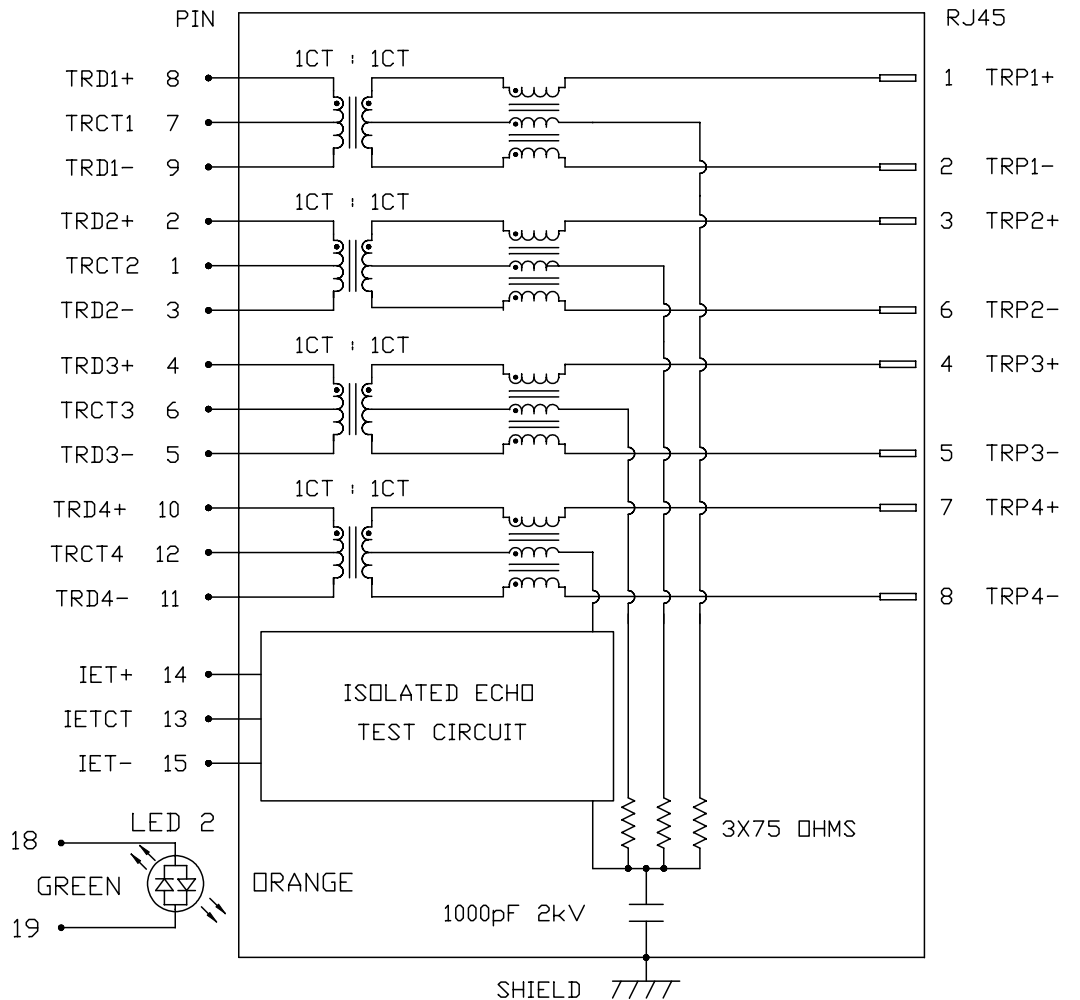
100% OF PRODUCTION TESTED TO COMPLY WITH IEEE 802.3 ISOLATION REQUIREMENTS.

LED1 AND LED2

VF (FORWARD VOLTAGE)	IF=20mA	GREEN 2.2V TYP.
		ORANGE 2.0V TYP.
λD (DOMINANT WAVELENGTH)	IF=20mA	GREEN 565nm TYP.
		ORANGE 605nm TYP.



PRELIMINARY



ORIGINATED BY	DATE	TITLE
CHOW WANCHUNG	2014-07-16	10 gigabit MagJack® G15-111T-038E PATENTED
DRAWN BY	DATE	
HU XIANG	2014-07-16	

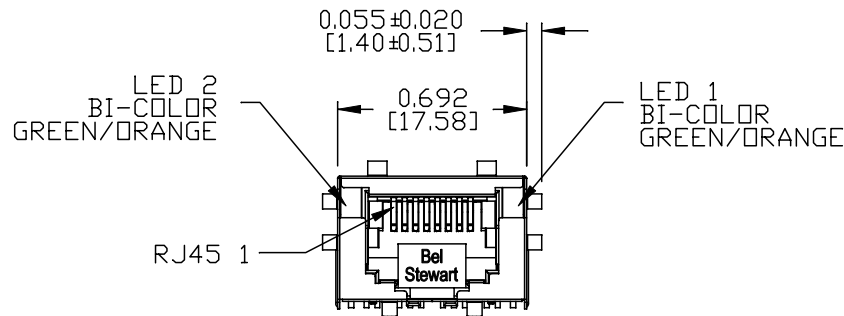
PART NO. / DRAWING NO.	STANDARD DIM. TOL. IN INCH	[] METRIC DIM. AS REFERENCE
G15-111T038E	.X .XX .XXX	UNIT : INCH [mm] SCALE : N/A REV. : PA SIZE : A4 PAGE : 2
FILE NAME		
G15-111T038E_PA.DWG		

ORIGINATED BY	DATE	TITLE
CHOW WANCHUNG	2014-07-16	10 gigabit MagJack® G15-111T-038E PATENTED
DRAWN BY	DATE	
HU XIANG	2014-07-16	



THE INFORMATION CONTAINED HEREIN IS CONSIDERED "PROPRIETARY" TO BEL FUSE INC. AND SHALL NOT BE COPIED, REPRODUCED OR DISCLOSED WITHOUT THE WRITTEN APPROVAL OF BEL FUSE INC.

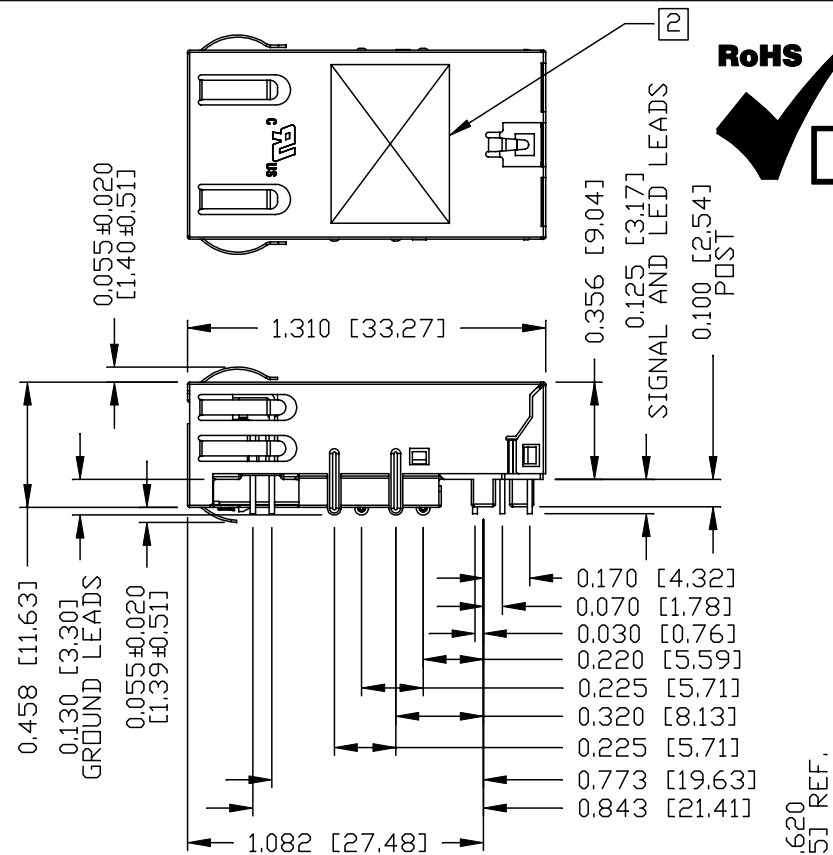
PRELIMINARY



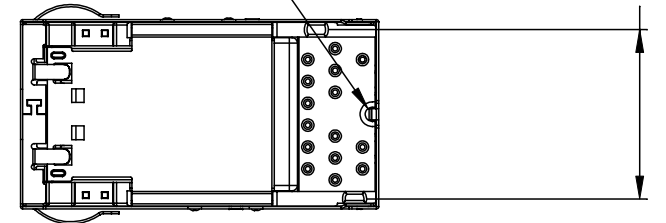
NOTES:

- PLASTIC HOUSING: THERMOPLASTIC PA
FLAMMABILITY RATING UL 94V-0
- CONTACT PLATING: 50 MICRO-INCH HARD GOLD PLATING OR EQUIVALENT
- OUTPUT PINS: TIN-COATED COPPER WIRE, DIA 0.018 INCH.
- METAL SHIELD: NICKEL PLATED ON COPPER ALLOY.
(ALL GROUND LEADS ARE SOLDER DIPPED)

- JACK CAVITY CONFORMS TO FCC RULES AND REGULATIONS, PART 68 SUBPART F.
- MARK PART WITH MFG LOGO, NAME, PART NUMBER, DATE CODE AND PATENTED.
- UL RECOGNIZED - FILE #E169987.
- THE PRODUCT IS RoHS COMPLIANT WITH NO EXEMPTION AND HALOGEN FREE WITH ANTIMONY TRIOXIDE CONTAIN LESS THAN 1000 PPM.
- THE PRODUCT IS PATENTED. THE PATENT NUMBER ARE U.S. PAT. 7,429,195 AND U.S. PAT. 5,736,910 AND U.S. PAT. 6,840,817 & U.S. PAT. 7,123,117 AND U.S. PAT. 7,924,130.
- THE PRODUCT IS FOR WAVE SOLDER ONLY.



GROUNDING OF BOTTOM PCB



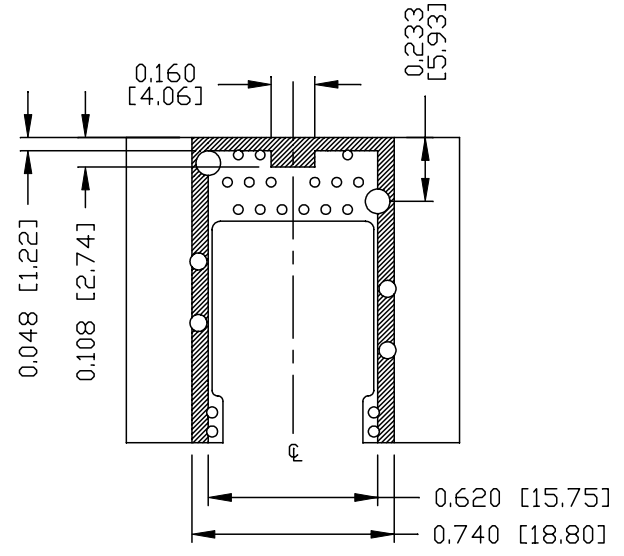
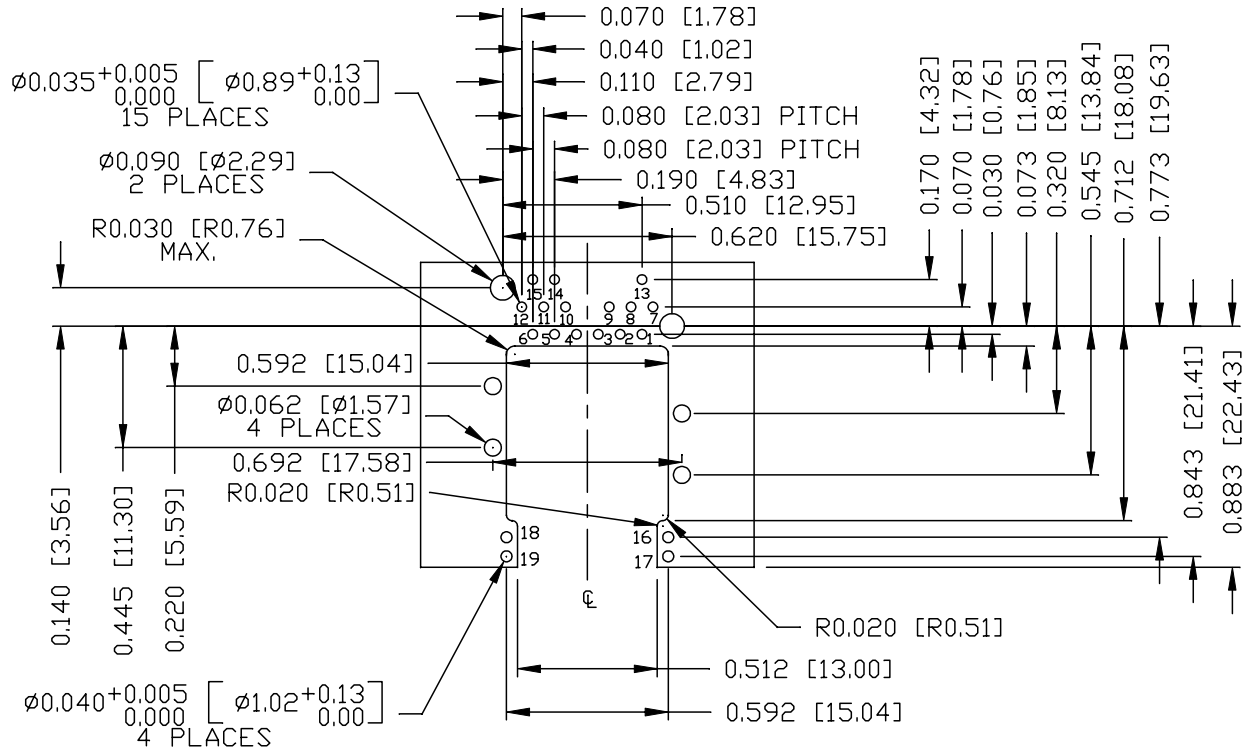
ORIGINATED BY	DATE	TITLE	PART NO. / DRAWING NO.	STANDARD DIM. TOL. IN INCH	[] METRIC DIM. AS REFERENCE	<p>COMPONENTS FOR A CONNECTED PLANET</p>	
ANTON LIAD	2014-07-16	10 gigabit MagJack® G15-111T-038E PATENTED	G15-111T038E	.X	UNIT : INCH [mm]		REV. : PA
DRAWN BY	DATE		FILE NAME	.XX	SCALE : N/A		SIZE : A4
JESSE LI	2014-07-16		G15-111T038E_PA.DWG	.XXX	±0.010	PAGE : 3	

THE INFORMATION CONTAINED HEREIN IS CONSIDERED "PROPRIETARY" TO BEL FUSE INC. AND SHALL NOT BE COPIED, REPRODUCED OR DISCLOSED WITHOUT THE WRITTEN APPROVAL OF BEL FUSE INC.

PRELIMINARY



RECOMMENDED PCB FOOTPRINT
< COMPONENT SIDE VIEW >



SUGGESTED FOOTPRINT

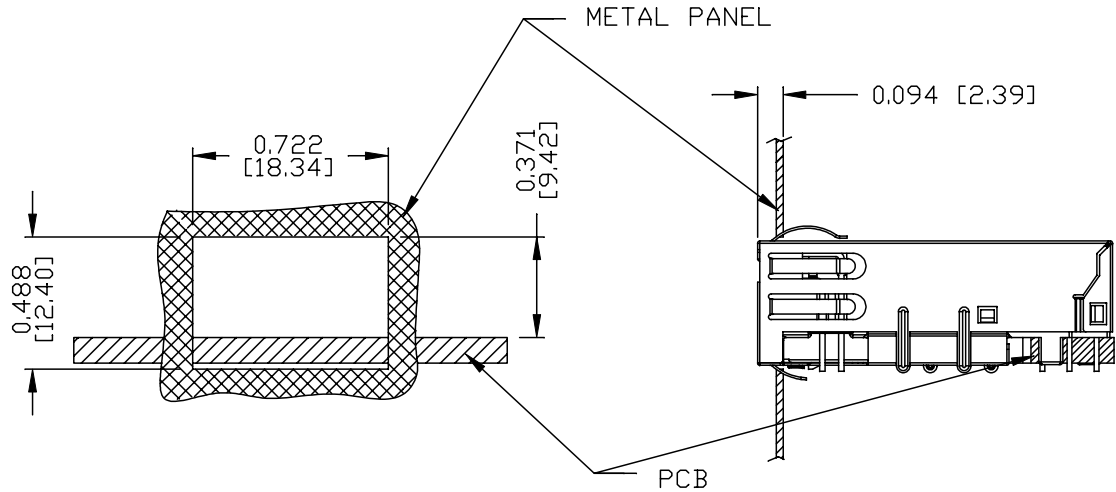
NOTES:
THE SHADED AREA ON THE CUSTOMER BOARD ARE RECOMMENDED TO BE CLEAR OFF ANY VIA HOLE OR COMPONENT PAD.

ORIGINATED BY ANTON LIAO	DATE 2014-07-16	TITLE 10 gigabit MagJack® G15-111T-038E PATENTED	PART NO. / DRAWING NO. G15-111T038E	STANDARD DIM. TOL. IN INCH	[] METRIC DIM. AS REFERENCE	bel COMPONENTS FOR A CONNECTED PLANET
DRAWN BY JESSE LI	DATE 2014-07-16		FILE NAME G15-111T038E_PA.DWG	.X .XX .XXX	UNIT : INCH [mm] SCALE : N/A	

THE INFORMATION CONTAINED HEREIN IS CONSIDERED "PROPRIETARY" TO BEL FUSE INC. AND SHALL NOT BE COPIED, REPRODUCED OR DISCLOSED WITHOUT THE WRITTEN APPROVAL OF BEL FUSE INC.

SUGGESTED PANEL OPENING

PRELIMINARY



NOTE:

THE DISTANCE OF PANEL INSIDE SURFACE RELATIVE TO FRONT SURFACE OF PART IS ONLY A SUGGESTION. IN CASE THIS DISTANCE IS DIFFERENT, THE REQUIRED PANEL OPENING DIMENSIONS CHANGE ACCORDINGLY.

PACKING INFORMATION

PACKING TRAY : 0200M9999-K3 (TOP)

0200M9999-K2 (BOTTOM)

PACKING QUANTITY : 48 PCS FINISHED GOODS PER TRAY.

10 TRAYS (480 PCS FINISHED GOODS) PER CARTON BOX.

REMARK : CARDBOARDS ARE PLACED BETWEEN LAYERS OF PACKING TRAY INSIDE CARTON BOX.
(INCLUDE THE UPPERMOST AND LOWERMOST TRAY)

ORIGINATED BY	DATE	TITLE	PART NO. / DRAWING NO.	STANDARD DIM. TOL. IN INCH	[] METRIC DIM. AS REFERENCE
ANTON LIAO	2014-07-16	10 gigabit MagJack® G15-111T-038E PATENTED	G15-111T038E	.X	UNIT : INCH [mm] REV. : PA
DRAWN BY	DATE		FILE NAME	.XX	SCALE : N/A SIZE : A4
JESSE LI	2014-07-16		G15-111T038E_PA.DWG	.XXX	±0.004

