



Chipsmall Limited consists of a professional team with an average of over 10 year of expertise in the distribution of electronic components. Based in Hongkong, we have already established firm and mutual-benefit business relationships with customers from,Europe,America and south Asia,supplying obsolete and hard-to-find components to meet their specific needs.

With the principle of “Quality Parts,Customers Priority,Honest Operation,and Considerate Service”,our business mainly focus on the distribution of electronic components. Line cards we deal with include Microchip,ALPS,ROHM,Xilinx,Pulse,ON,Everlight and Freescale. Main products comprise IC,Modules,Potentiometer,IC Socket,Relay,Connector.Our parts cover such applications as commercial,industrial, and automotives areas.

We are looking forward to setting up business relationship with you and hope to provide you with the best service and solution. Let us make a better world for our industry!



## Contact us

Tel: +86-755-8981 8866 Fax: +86-755-8427 6832

Email & Skype: info@chipsmall.com Web: www.chipsmall.com

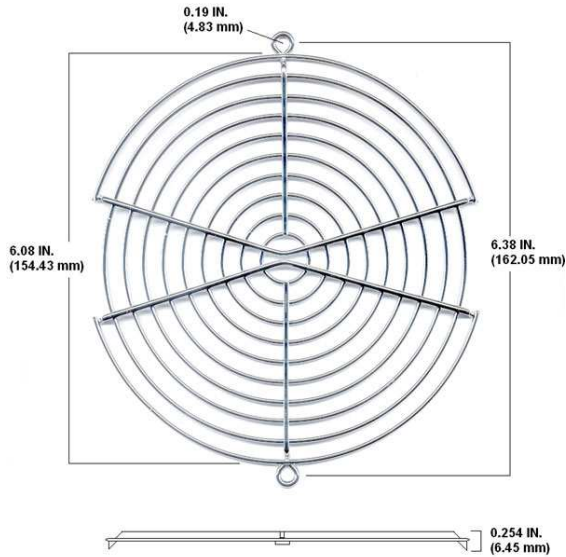
Address: A1208, Overseas Decoration Building, #122 Zhenhua RD., Futian, Shenzhen, China



# G172 Series



## Fan Guards for 172mm Fan



### PART NO. G172-10H

WIRE DIAMETER  
RING DIA: 1.8mm  
RIB DIA: 2.3mm  
FINISH: BRIGHT NICKEL CHROME

### PART NO. G172-10H/PK

10-PACK G172-10H GUARDS, BOXED

### PART NO. G172-10HB

WIRE DIAMETER  
RING DIA: 1.8mm  
RIB DIA: 2.3mm  
FINISH: BLACK

### PART NO. G172-10HB/PK

10-PACK G172-10HB GUARDS, BOXED

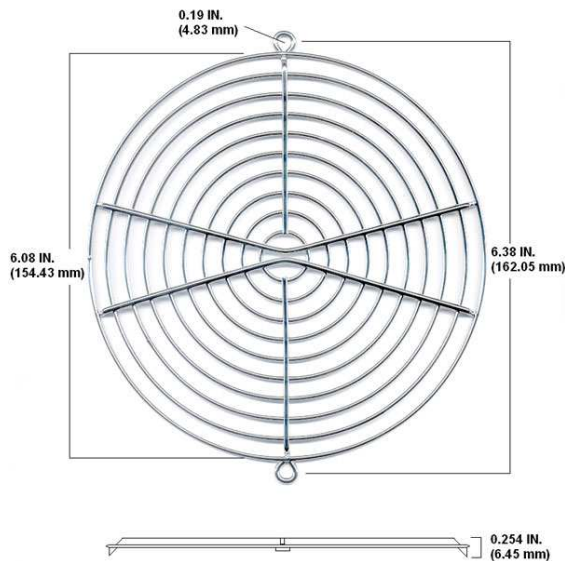
#### NOTES:

1. MATERIAL: C1008 BRIGHT BASIC WIRE

2. WELD JOINTS TO WITHSTAND 88LBS PULL FORCE

3. GENERAL TOLERANCE UNLESS NOTED +/- 0.5mm

4. PART MEETS 6.35mm PLUG GAUGE TEST



### PART NO. G172-10HA

WIRE DIAMETER  
RING DIA: 1.8mm  
RIB DIA: 2.3mm  
FINISH: BRIGHT NICKEL CHROME

### PART NO. G172-10HA/PK

10-PACK G172-10H GUARDS, BOXED

### PART NO. G172-10HAB

WIRE DIAMETER  
RING DIA: 1.8mm  
RIB DIA: 2.3mm  
FINISH: BLACK

### PART NO. G172-10HAB/PK

10-PACK G172-10HAB GUARDS, BOXED

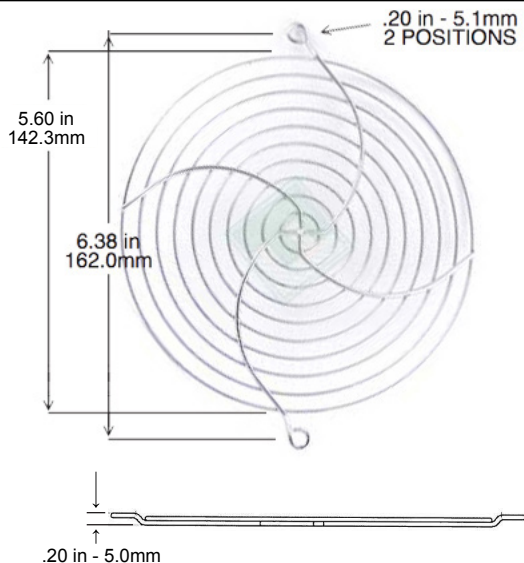
#### NOTES:

1. MATERIAL: C1008 BRIGHT BASIC WIRE

2. WELD JOINTS TO WITHSTAND 88LBS PULL FORCE

3. GENERAL TOLERANCE UNLESS NOTED +/- 0.5mm

4. PART MEETS 6.35mm PLUG GAUGE TEST



### PART NO. G172-10LN

WIRE DIAMETER  
RING DIA: 1.6mm  
RIB DIA: 2.0mm  
FINISH: BRIGHT NICKEL CHROME  
LOWER NOISE

### PART NO. G172-10LN/PK

10-PACK G172-10LN GUARDS, BOXED

#### NOTES:

1. MATERIAL: C1008 BRIGHT BASIC WIRE

2. WELD JOINTS TO WITHSTAND 70LBS PULL FORCE

3. GENERAL TOLERANCE UNLESS NOTED +/- 0.5mm

4. PART MEETS 6.35mm PLUG GAUGE TEST