



Chipsmall Limited consists of a professional team with an average of over 10 year of expertise in the distribution of electronic components. Based in Hongkong, we have already established firm and mutual-benefit business relationships with customers from,Europe,America and south Asia,supplying obsolete and hard-to-find components to meet their specific needs.

With the principle of “Quality Parts,Customers Priority,Honest Operation,and Considerate Service”,our business mainly focus on the distribution of electronic components. Line cards we deal with include Microchip,ALPS,ROHM,Xilinx,Pulse,ON,Everlight and Freescale. Main products comprise IC,Modules,Potentiometer,IC Socket,Relay,Connector.Our parts cover such applications as commercial,industrial, and automotives areas.

We are looking forward to setting up business relationship with you and hope to provide you with the best service and solution. Let us make a better world for our industry!



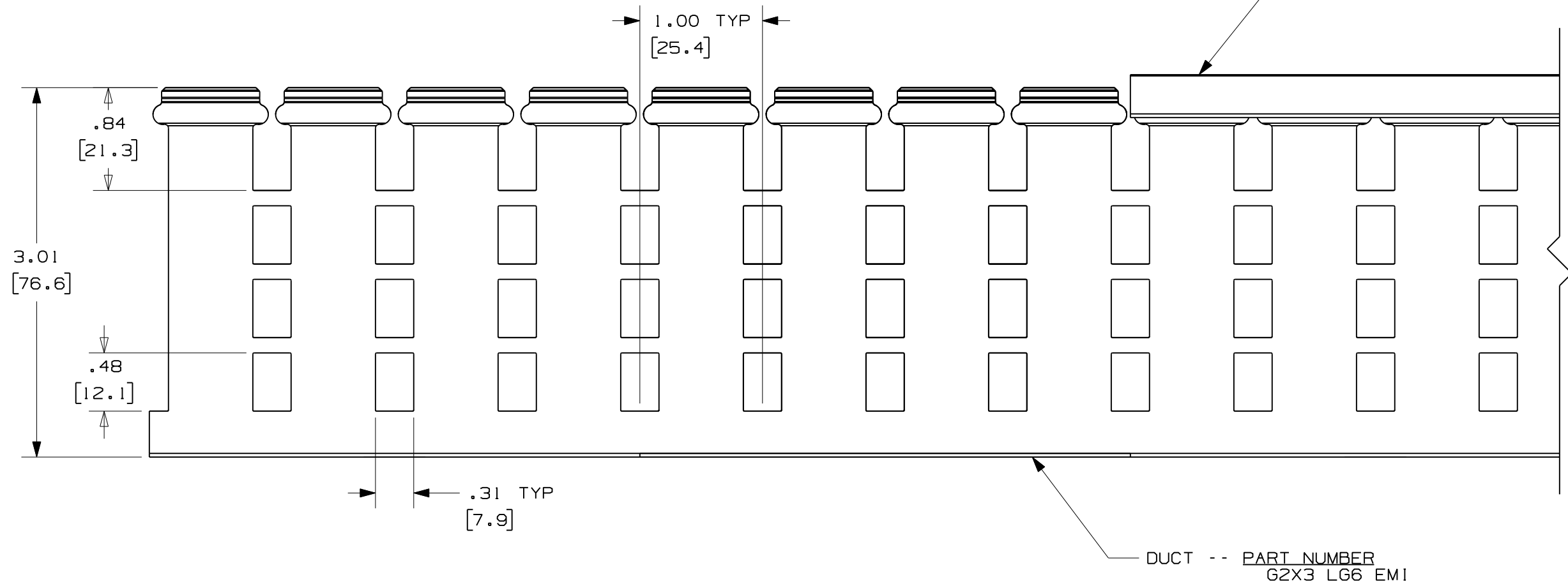
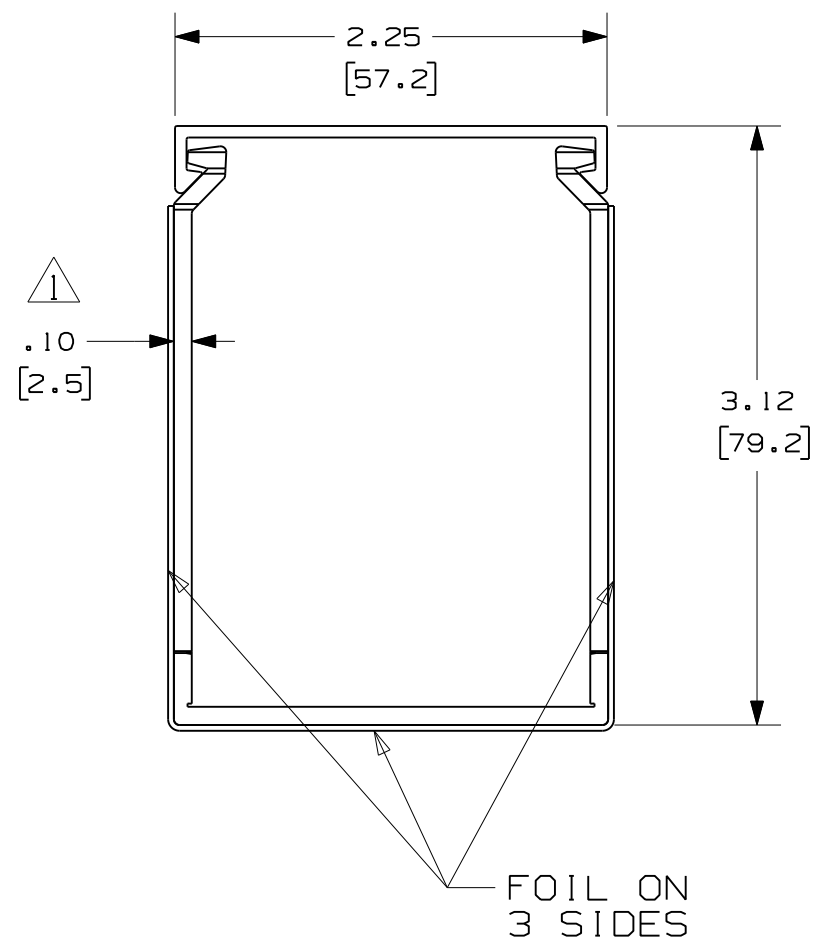
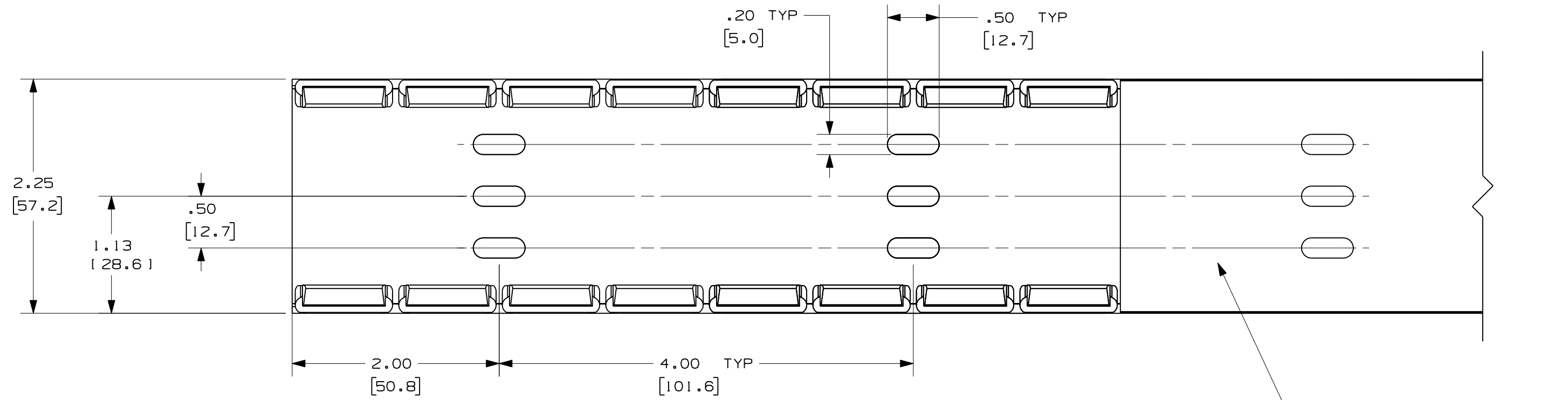
Contact us

Tel: +86-755-8981 8866 Fax: +86-755-8427 6832

Email & Skype: info@chipsmall.com Web: www.chipsmall.com

Address: A1208, Overseas Decoration Building, #122 Zhenhua RD., Futian, Shenzhen, China





NOTES:

1. ALL DIMENSIONS ARE REFERENCE ONLY.
2. DIMENSIONS IN PARENTHESIS ARE METRIC.
3. THE ** DENOTE COLOR.
4. DUCT AND COVER ARE AVAILABLE IN 6 FT [1828.8] LENGTHS.
5. INSTALLATION INSTRUCTIONS REFER TO PANDUIT PART #EPO01.

CAD FILENAME/LAYERS				D11000VW_DC_01A																		
<table border="1"> <tr> <td>01</td> <td>11/29/11</td> <td>LEF</td> <td>MKBE</td> <td>CHANGE .09 THICKNESS TO .10</td> </tr> <tr> <td>00</td> <td>4/27/11</td> <td>LEF</td> <td>MDA</td> <td>DRAWING RELEASED</td> </tr> <tr> <td>REV</td> <td>DATE</td> <td>BY</td> <td>CHK</td> <td>DESCRIPTION</td> </tr> </table>				01	11/29/11	LEF	MKBE	CHANGE .09 THICKNESS TO .10	00	4/27/11	LEF	MDA	DRAWING RELEASED	REV	DATE	BY	CHK	DESCRIPTION	PANDUIT CORP. TINLEY PARK, ILLINOIS WIRING DUCT - TYPE G DUCT WITH COVER 2 X 3 EM1 MARKETING DRAWING		SCALE: FULL DRAWING NO.: 36897-1264 DWG SIZE: C	
				01	11/29/11	LEF	MKBE	CHANGE .09 THICKNESS TO .10														
00	4/27/11	LEF	MDA	DRAWING RELEASED																		
REV	DATE	BY	CHK	DESCRIPTION																		
DRAWN BY: LEF DATE: 4/27/11 CHECKED BY: MKBE		MAT'L: PVC																				