



Chipsmall Limited consists of a professional team with an average of over 10 year of expertise in the distribution of electronic components. Based in Hongkong, we have already established firm and mutual-benefit business relationships with customers from,Europe,America and south Asia,supplying obsolete and hard-to-find components to meet their specific needs.

With the principle of "Quality Parts,Customers Priority,Honest Operation,and Considerate Service",our business mainly focus on the distribution of electronic components. Line cards we deal with include Microchip,ALPS,ROHM,Xilinx,Pulse,ON,Everlight and Freescale. Main products comprise IC,Modules,Potentiometer,IC Socket,Relay,Connector.Our parts cover such applications as commercial,industrial, and automotives areas.

We are looking forward to setting up business relationship with you and hope to provide you with the best service and solution. Let us make a better world for our industry!



Contact us

Tel: +86-755-8981 8866 Fax: +86-755-8427 6832

Email & Skype: info@chipsmall.com Web: www.chipsmall.com

Address: A1208, Overseas Decoration Building, #122 Zhenhua RD., Futian, Shenzhen, China



EC centrifugal fan

forward curved, single inlet

with housing (flange)

ebm-papst Mulfingen GmbH & Co. KG

Bachmühle 2 · D-74673 Mulfingen

Phone +49 7938 81-0

Fax +49 7938 81-110

info1@de.ebmpapst.com

www.ebmpapst.com

Limited partnership · Headquarters Mulfingen

County court Stuttgart · HRA 590344

General partner Elektrobau Mulfingen GmbH · Headquarters Mulfingen

County court Stuttgart · HRB 590142

Nominal data

| | | |
|--------------------------|-----------------------|---------|
| Type | G3G120-BB13-02 | |
| Motor | M3G055-BD | |
| Phase | | 1~ |
| Nominal voltage | VAC | 115 |
| Frequency | Hz | 50/60 |
| Type of data definition | | ml |
| State | | prelim. |
| Speed | min ⁻¹ | 2320 |
| Power input | W | 46 |
| Current draw | A | 0.70 |
| Min. back pressure | Pa | 0 |
| Min. ambient temperature | °C | -25 |
| Max. ambient temperature | °C | 60 |

ml = max. load · me = max. efficiency · fa = running at free air · cs = customer specs · cu = customer unit
Subject to alterations



EC centrifugal fan

forward curved, single inlet
with housing (flange)

Technical features

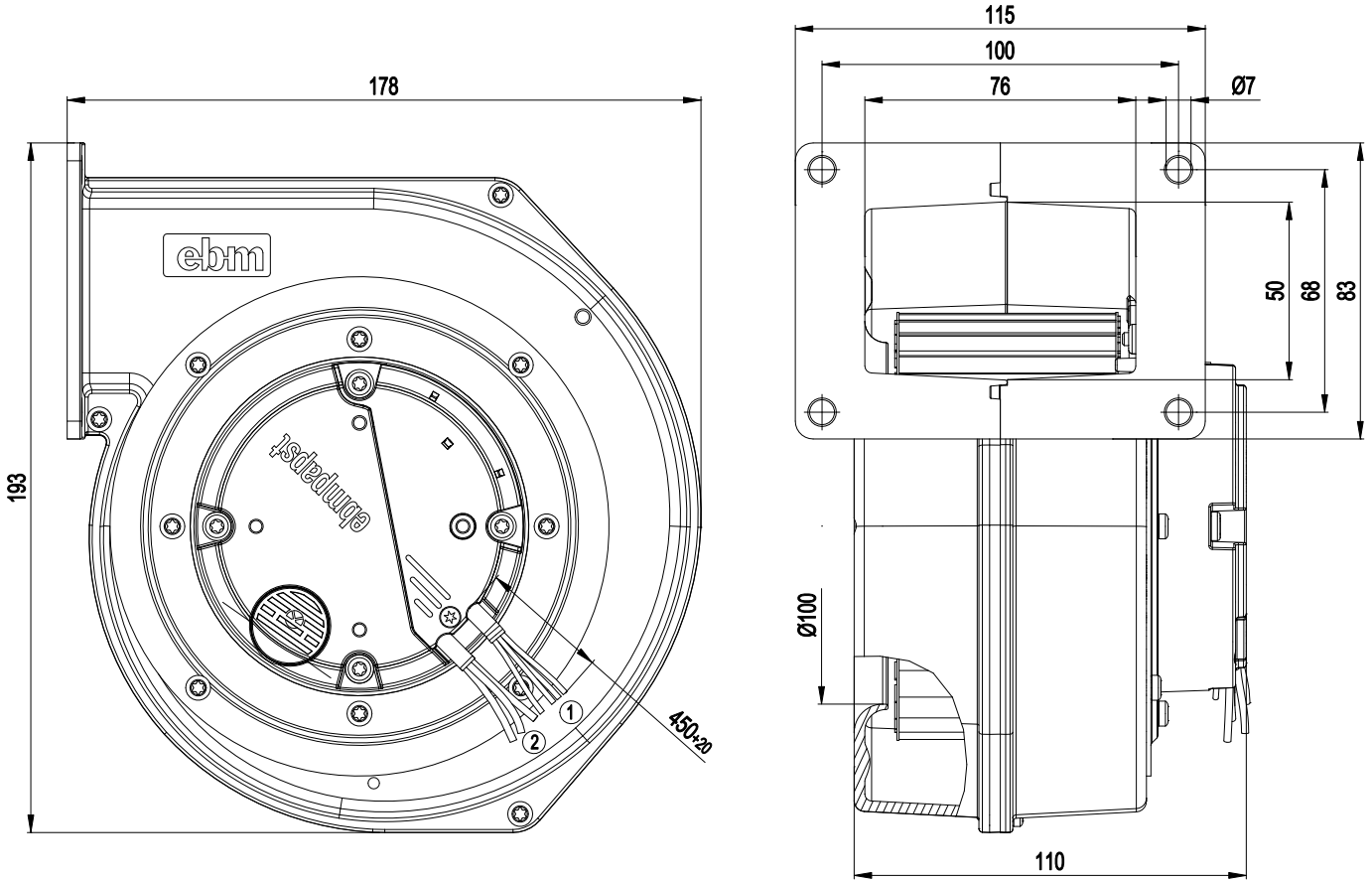
| | |
|---|---|
| Mass | 1.8 kg |
| Size | 120 mm |
| Surface of rotor | Galvanised |
| Material of electronics housing | Die-cast aluminium |
| Material of impeller | Hot-dip galvanized sheet steel |
| Housing material | Die-cast aluminium |
| Direction of rotation | Clockwise, seen on rotor |
| Type of protection | IP 44 |
| Insulation class | "B" |
| Humidity class | F3-1 |
| Max. permissible ambient motor temp. (transp./ storage) | + 80 °C |
| Min. permissible ambient motor temp. (transp./storage) | - 40 °C |
| Mounting position | Shaft horizontal or rotor on bottom; rotor on top on request |
| Condensate discharge holes | Rotor-side |
| Operation mode | S1 |
| Motor bearing | Ball bearing |
| Technical features | Control input 0-10 VDC / PWM, output 10 VDC max. 1.1 mA, tach output, locked rotor protection |
| EMC interference immunity | Acc. to EN 61000-6-2 |
| EMC interference emission | Acc. to EN 61000-6-3 (household environment) |
| Touch current acc. IEC 60990 (measuring network Fig. 4, TN system) | <= 3.5 mA |
| Motor protection | Thermal overload protector (TOP) wired internally |
| Cable exit | Variable |
| Protection class | I (if protective earth is connected by customer) |
| Product conforming to standard | EN 60335-1 |
| Approval | GOST; UL 2111 |



EC centrifugal fan

forward curved, single inlet
with housing (flange)

Product drawing



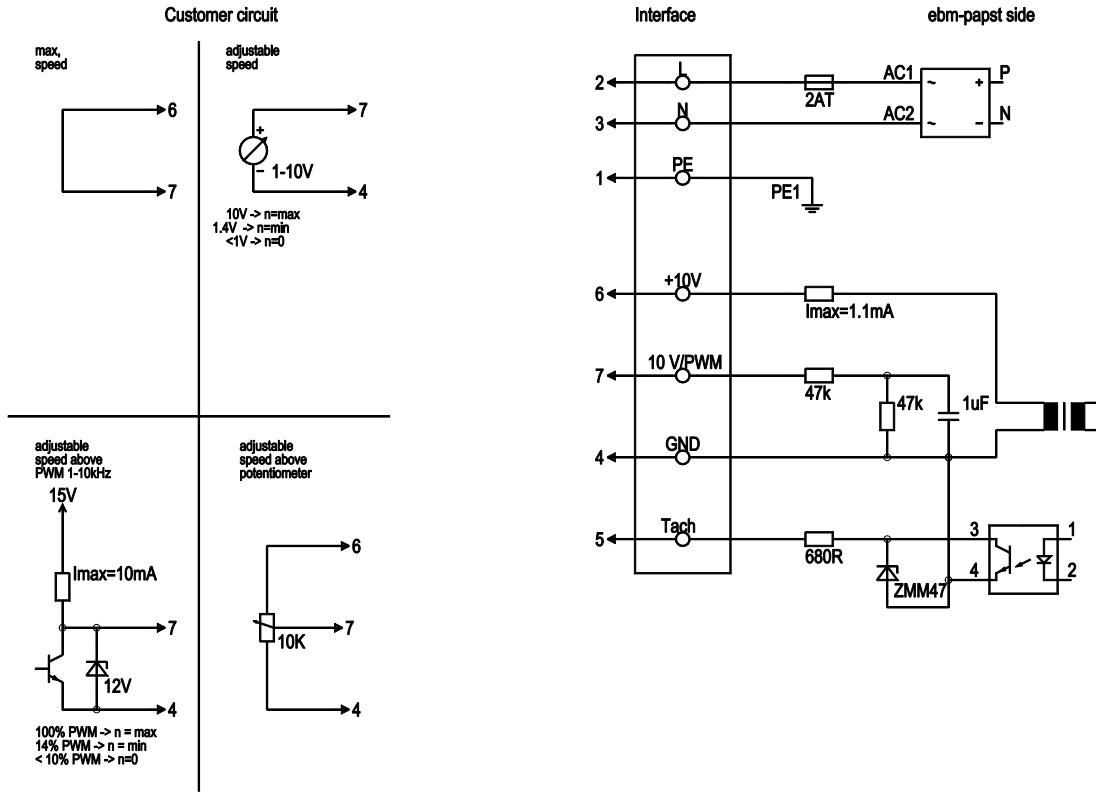
- | | |
|---|---|
| 1 | Connection line, special arrangement, 4x receptacle crimped |
| 2 | Connection line, special arrangement, 3x receptacle crimped |



EC centrifugal fan

forward curved, single inlet
with housing (flange)

Connection screen



| Line | No. | Signal | Colour | Function / assignment |
|------|-----|-----------------|--------------|--|
| | 1 | PE | green/yellow | Protective earth |
| | 2 | L | brown | Power supply 115 VAC, 50-60 Hz, see type plate for voltage range |
| | 3 | N | blue | Neutral conductor |
| | 4 | GND | blue | GND - Connection for control interface |
| | 5 | Tach | white | Tach output: open collector, 1 pulse per revolution, electrically isolated |
| | 6 | 10V/ max. 1.1mA | red | Voltage output 10 V/ 1.1 mA, electrically isolated |
| | 7 | 0-10V PWM | yellow | Control input 0 - 10 V or PWM, electrically isolated |

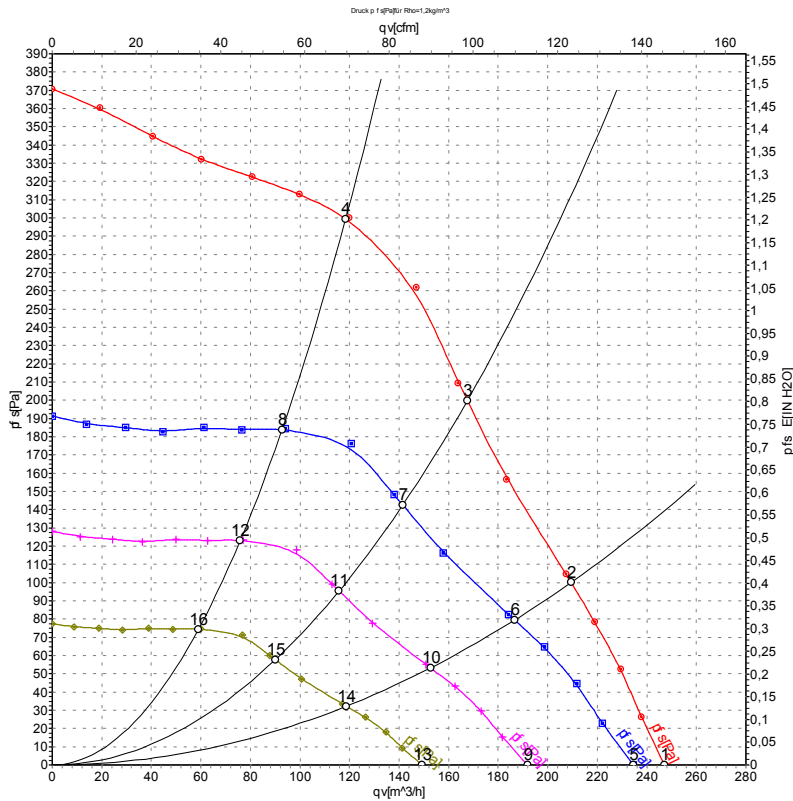


EC centrifugal fan

forward curved, single inlet

with housing (flange)

Charts: Air flow 50 Hz



Measurement: LU-73162

Air performance measured as per ISO 5801 Installation category A. For detailed information on the measuring set-up, please contact ebm-papst. Suction-side noise levels: LwA measured as per ISO 13347 / LpA measured with 1m distance to fan axis. The values given are valid under the measuring conditions mentioned above and may vary according to the actual installation situation. With any deviation from the standard set-up, the specific values have to be checked and reviewed with the unit installed.

Measured values

| | U | f | n | P _{ed} | I | qv | P _{fs} |
|----|-----|----|-------------------|-----------------|------|-------------------|-----------------|
| | V | Hz | min ⁻¹ | W | A | m ³ /h | Pa |
| 1 | 115 | 50 | 2320 | 46 | 0.70 | 245 | 0 |
| 2 | 115 | 50 | 2470 | 41 | 0.60 | 210 | 100 |
| 3 | 115 | 50 | 2605 | 35 | 0.52 | 170 | 200 |
| 4 | 115 | 50 | 2810 | 28 | 0.42 | 120 | 300 |
| 5 | 115 | 50 | 2200 | 39 | 0.57 | 235 | 0 |
| 6 | 115 | 50 | 2200 | 29 | 0.43 | 185 | 79 |
| 7 | 115 | 50 | 2200 | 21 | 0.31 | 140 | 142 |
| 8 | 115 | 50 | 2200 | 13 | 0.20 | 95 | 184 |
| 9 | 115 | 50 | 1800 | 21 | 0.31 | 190 | 0 |
| 10 | 115 | 50 | 1800 | 16 | 0.23 | 155 | 53 |
| 11 | 115 | 50 | 1800 | 11 | 0.17 | 115 | 95 |
| 12 | 115 | 50 | 1800 | 7.3 | 0.11 | 75 | 124 |
| 13 | 115 | 50 | 1400 | 10 | 0.15 | 150 | 0 |
| 14 | 115 | 50 | 1400 | 7.4 | 0.11 | 120 | 32 |
| 15 | 115 | 50 | 1400 | 5.4 | 0.08 | 90 | 58 |
| 16 | 115 | 50 | 1400 | 3.4 | 0.05 | 60 | 75 |

U = Supply voltage · f = Frequency · n = Speed · P_{ed} = Power input · I = Current draw · qv = Air flow · p_{fs} = Pressure increase

