



Chipsmall Limited consists of a professional team with an average of over 10 year of expertise in the distribution of electronic components. Based in Hongkong, we have already established firm and mutual-benefit business relationships with customers from,Europe,America and south Asia,supplying obsolete and hard-to-find components to meet their specific needs.

With the principle of "Quality Parts,Customers Priority,Honest Operation,and Considerate Service",our business mainly focus on the distribution of electronic components. Line cards we deal with include Microchip,ALPS,ROHM,Xilinx,Pulse,ON,Everlight and Freescale. Main products comprise IC,Modules,Potentiometer,IC Socket,Relay,Connector.Our parts cover such applications as commercial,industrial, and automotives areas.

We are looking forward to setting up business relationship with you and hope to provide you with the best service and solution. Let us make a better world for our industry!



## Contact us

Tel: +86-755-8981 8866 Fax: +86-755-8427 6832

Email & Skype: info@chipsmall.com Web: www.chipsmall.com

Address: A1208, Overseas Decoration Building, #122 Zhenhua RD., Futian, Shenzhen, China



### Ideal for Microwave Oven Magnetrons and Heater Switching

- Conforms to IEC 255 (TÜV approval), UL508, CSA22.2.
- Slim relay with high switching power: 16 A.
- Dual #187 tab/PCB terminals.
- High impulse withstand voltage: 10 kV.



RCE

## Ordering Information

Enclosure ratings	Contact form	Standard Relays
Flux protection	SPST-NO	G5G-1A

**Note:** When ordering, add the rated coil voltage to the model number.  
Example: G5G-1A 12 VDC Rated coil voltage

### Model Number Legend

G5G-          VDC  
          1 2 3

- Number of Poles**  
1: 1 pole
- Contact Form**  
A: SPST-NO
- Rated Coil Voltage**  
12, 18, 24 VDC

## Specifications

### ■ Coil Ratings

Rated voltage	12 VDC	18 VDC	24 VDC
Rated current	41.7 mA	27.8 mA	20.8 mA
Coil resistance	288 Ω	648 Ω	1,152 Ω
Must operate voltage	70% max. of rated voltage		
Must release voltage	5% min. of rated voltage		
Max. voltage	110% of rated voltage		
Power consumption	Approx. 500 mW		

### ■ Contact Ratings

Rated load	16 A at 250 VAC
Rated carry current	16 A
Max. switching power	4,000 VA

## ■ Characteristics

Contact resistance	100 mΩ max.
Operate time	20 ms max.
Release time	5 ms max.
Insulation resistance	1,000 MΩ min. (at 500 VDC)
Dielectric strength	5,000 VAC between coil and contacts (1 min.) 1,000 VAC between contacts of same polarity (1 min.)
Impulse withstand voltage	10,000 V (1.2 × 50 μs) between coil and contacts
Vibration resistance	Destruction: 10 to 55 Hz, 1.5-mm double amplitude Malfunction: 10 to 55 Hz, 1.5-mm double amplitude
Shock resistance	Destruction: 1,000 m/s <sup>2</sup> Malfunction: 150 m/s <sup>2</sup>
Life expectancy	Mechanical: 2,000,000 operations min. (18,000 operations/hr) Electrical: 100,000 operations min. (18,000 operations/hr)
Ambient temperature	Operating: -40°C to 70°C (with no icing) Storage: -40°C to 70°C (with no icing)
Ambient humidity	35% to 85%
Weight	Approx. 16 g

## ■ Approved Standards

### UL508 (File No. E41515)

Model	Coil ratings	Contact ratings	Number of test operations
G5G-1A	12 VDC 18 VDC 24 VDC	16 A, 250 VAC	6,000

### CSA C22.2 (No. 14) (File No. LR31928)

Model	Coil ratings	Contact ratings	Number of test operations
G5G-1A	12 VDC 18 VDC 24 VDC	16 A, 250 VAC	6,000

### TÜV (IEC 255, File No. R9650783)

Model	Coil ratings	Contact ratings	Number of test operations
G5G-1A	12 VDC 18 VDC 24 VDC	16 A, 250 VAC	100,000

## Reference Data

### Heater Load

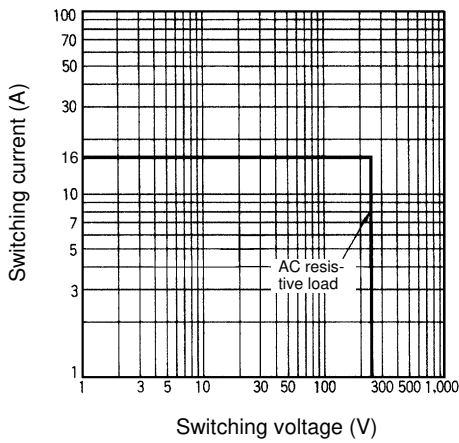
Load	Condition	Operations
250 VAC, 16 A (Rated Load)	1 s ON/OFF, at room temp.	100,000
220 VAC, 1.7 kW	3 s ON/OFF, at 80°C	380,000
120 VAC, 1.42 kW	3 s ON/OFF, at 80°C	500,000
121 VAC, 10.4 A	1.5 s ON/OFF, at 80°C	580,000
100 VAC, 12 A	1.5 s ON/OFF, at 80°C	200,000
100 VAC, 1.3 kW	3 s ON/OFF, at 80°C	290,000

### Simulative Load

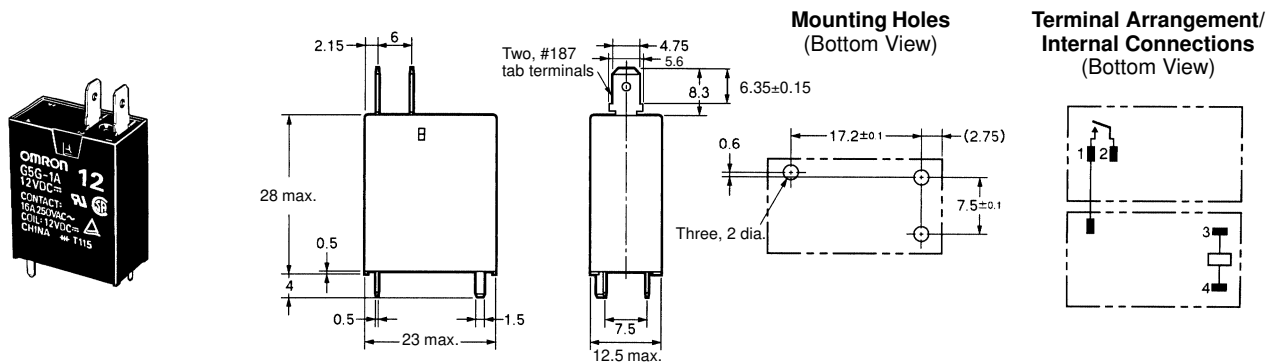
Load	Condition	Operations
125 VAC, Inrush current 16.5 A Steady current 5.5 A	2 s ON (Inrush: 0.5 s /Steady: 1.5 s) 3 s OFF, at 45°C	250,000

# Engineering Data

## Maximum Switching Power



## Dimensions



**ALL DIMENSIONS SHOWN ARE IN MILLIMETERS.**  
 To convert millimeters into inches, multiply by 0.03937. To convert grams into ounces, multiply by 0.03527.