



Chipsmall Limited consists of a professional team with an average of over 10 year of expertise in the distribution of electronic components. Based in Hongkong, we have already established firm and mutual-benefit business relationships with customers from,Europe,America and south Asia,supplying obsolete and hard-to-find components to meet their specific needs.

With the principle of “Quality Parts,Customers Priority,Honest Operation,and Considerate Service”,our business mainly focus on the distribution of electronic components. Line cards we deal with include Microchip,ALPS,ROHM,Xilinx,Pulse,ON,Everlight and Freescale. Main products comprise IC,Modules,Potentiometer,IC Socket,Relay,Connector.Our parts cover such applications as commercial,industrial, and automotives areas.

We are looking forward to setting up business relationship with you and hope to provide you with the best service and solution. Let us make a better world for our industry!



Contact us

Tel: +86-755-8981 8866 Fax: +86-755-8427 6832

Email & Skype: info@chipsmall.com Web: www.chipsmall.com

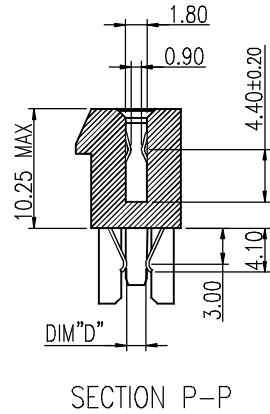
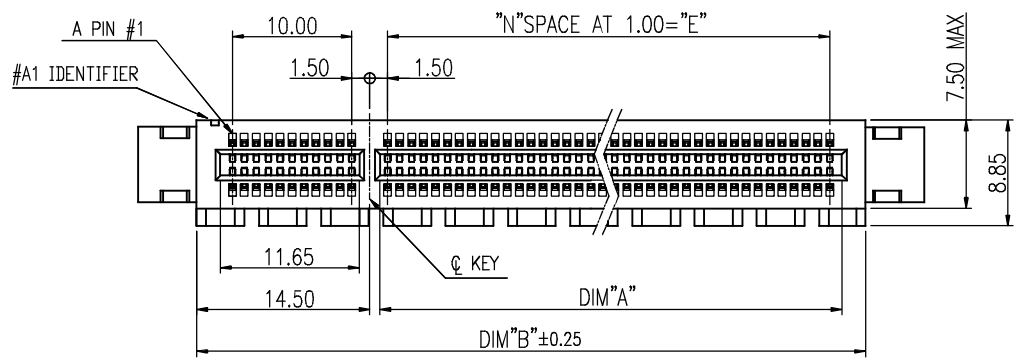
Address: A1208, Overseas Decoration Building, #122 Zhenhua RD., Futian, Shenzhen, China



This document is the property of Amphenol Corporation and is delivered on the express condition that it is not to be disclosed, reproduced or used, in whole or in part, for manufacture or sale by anyone other than Amphenol Corporation without its prior consent, and that no right is granted to disclose or to use any information in this document.

The marking on this product doesn't contain environmental hazardous materials per Material Specification SS-00259 for Sony GP compliant or per directive 2002/95/EC for RoHS compliant.

REVISIONS				
SYM	ECN No.	DESCRIPTION	DATE	APPROVED
A		RELEASE TO PRODUCTION	09/06/2011	Roger Tsai
B	NE-13041	REMOVED NYLON46/WITHOUT CAP OPTION	03/26/2013	Roger Tsai
C	NE-13180	ADDED PCB OPTION & LOGO NOTE	11/05/2013	Roger Tsai
D	NE-14011	MODIFIED 164 POS. PACKAGING	01/16/2014	Roger Tsai
EX1		ADDED PCB OPTION	12/05/2014	Roger Tsai
EX2		ADDED DIM J & DIM K OPTION	12/10/2014	Roger Tsai
EX3	EDSR#5565	ADDED 1.83 PCB THICKNESS	05/14/2015	Arron Lin
EX4		ADDED DIM	05/22/2015	Arron Lin
EX5		UPDATE TO MATTE TIN	06/02/2015	Arron Lin



- NOTES:
- MATERIAL:
HOUSING: HIGH TEMPERATURE THERMAL PLASTIC, UL94V-0, COLOR: BLACK.
TERMINAL: COPPER ALLOY.
 - FINISH:
TERMINAL:
CONTACT AREA: SELECTED GOLD PLATING;
SOLDERING AREA: MATTE TIN PLATING 100 μ" THICKNESS MIN.;
UNDER PLATING: NICKEL PLATING 50 μ" THICKNESS MIN. OVERALL.
 - PRODUCT SPECIFICATION REFER TO : PS-7482.
 - TEST SUMMARY REFER TO : TS-7482-001.
 - PACKING IS PER AMTA PACKING SPECIFICATION PKS-0001.
 - THIS PRODUCT IS LEAD-FREE & RoHS COMPLIANT PRODUCT.

PART NO. G630HXXX2XXXEU

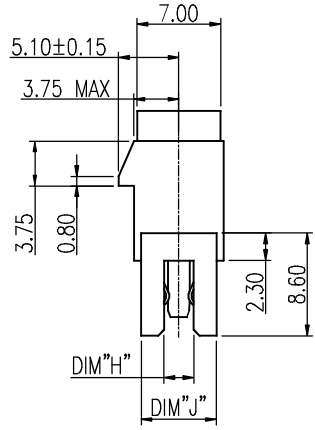
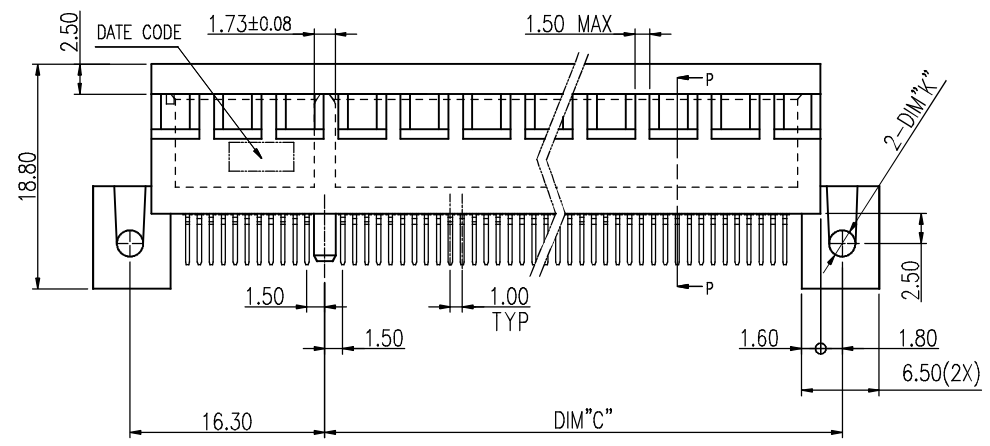
NO. OF POSITION —
 36: 36 POSITIONS
 64: 64 POSITIONS
 98: 98 POSITIONS
 AA: 164 POSITIONS

CONTACT FINISH —
 0: GOLD FLASH
 1: 15 μ" GOLD
 2: 30 μ" GOLD
 3: 10 μ" GOLD

INSULATOR MATERIAL —
 2: NYLON 9T

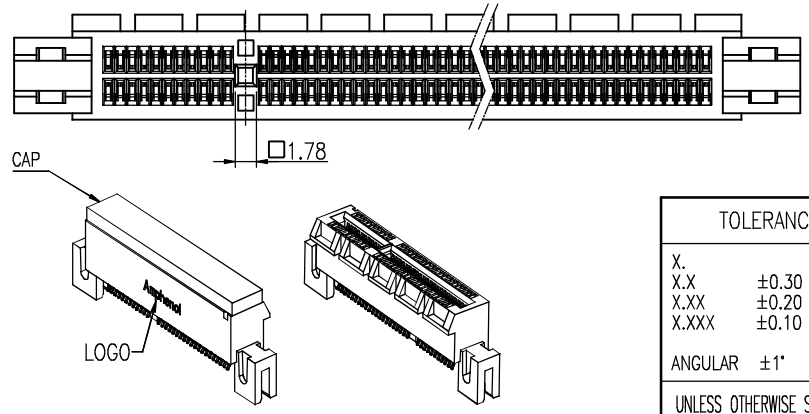
PCB THICKNESS/DIM D / DIM H
 6: 2.08 MM / 1.60MM / 2.50MM
 7: 2.30 MM / 1.90MM / 2.50MM
 8: 1.57 MM / 1.20MM / 2.50MM
 A: 2.36 MM / 1.90MM / 2.80MM
 B: 2.36 MM / 2.10MM / 2.80MM
 D: 1.57 MM / 1.20MM / 1.70MM
 E: 1.83 MM / 1.60MM / 2.50MM

CAP OPTION
 4: CAP



POSITION	N	DIM "A"	DIM "B"	DIM "C"	DIM "E"
36	6	7.65	25.00	12.30	6.00
64	20	21.65	39.00	26.30	20.00
98	37	38.65	56.00	43.30	37.00
164	70	71.65	89.00	76.30	70.00

DIM "K"	DIM "J"	DIM "H"	DIM "D"	PCB THICKNESS
Ø2.20	6.30	2.50	1.60	2.08 MM
Ø2.20	6.30	2.50	1.90	2.30 MM
Ø2.20	6.30	2.50	1.20	1.57 MM
Ø2.20	6.30	2.80	1.90	2.36±0.24 MM
Ø2.20	6.30	2.80	2.10	2.36 MM
Ø2.00	5.00	1.70	1.20	1.57 MM
Ø2.20	6.30	2.50	1.60	1.83 MM



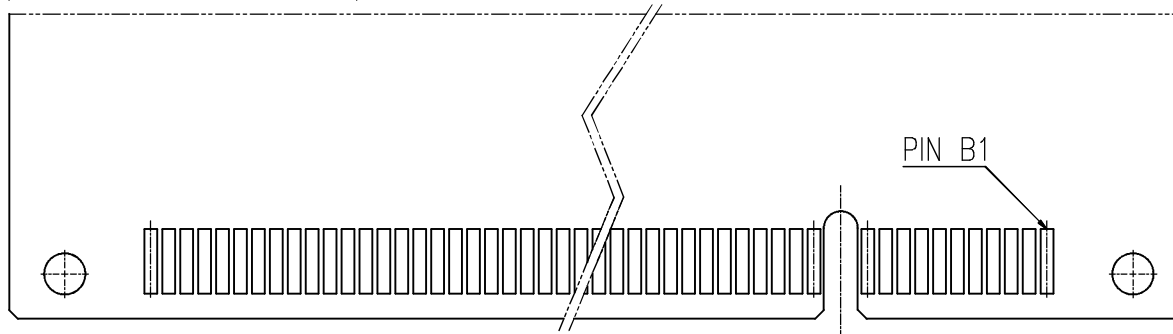
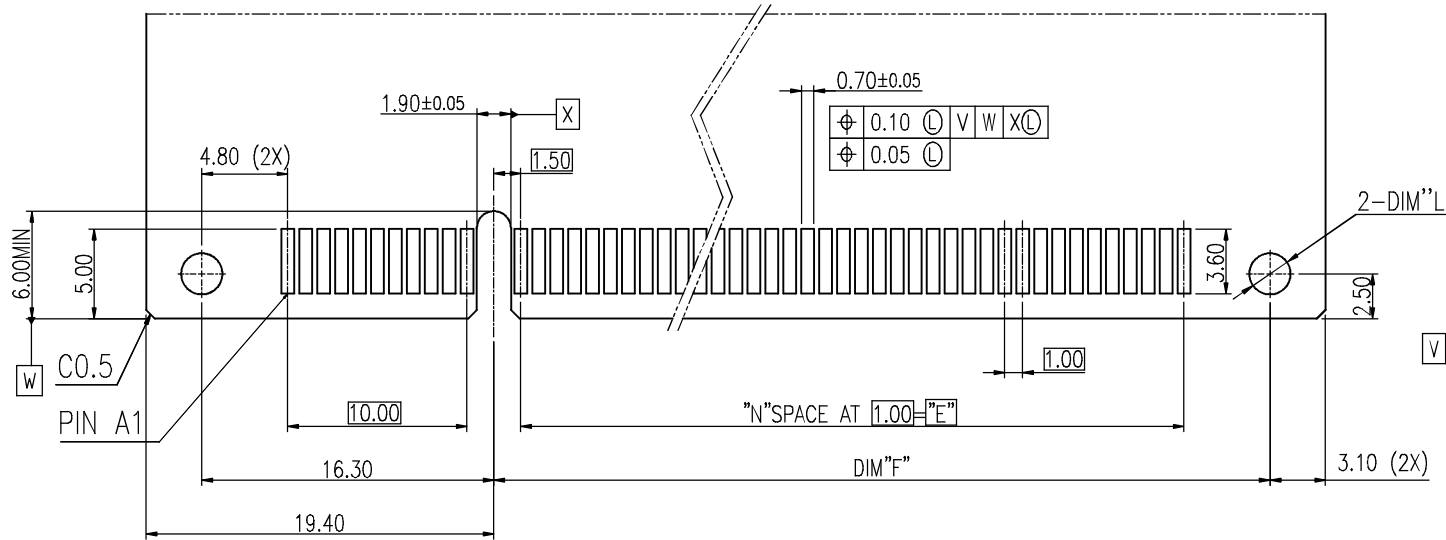
TOLERANCE X. ±0.30 X.X ±0.20 X.XX ±0.10 X.XXX ±0.10 ANGULAR ±1° UNLESS OTHERWISE SPECIFIED	APPROVALS DRAWN Debby Hung CHECKED Roger Tsai APPROVED Arron Lin	DATE 06/02/2015 06/02/2015 06/02/2015	TITLE G630H SERIES, PCI EXPRESS 3.0 STRAIGHT, STRADDLE TYPE	UNIT mm	SIZE A3	PART No. G630HXXX2XXXEU
	DWG TYPE CUST DWG	PROJECT CODE SLOT	SCALE NA	SHEET 1 OF 5	DWG No. G630HXXX2XXXEU	REV. EX5

Amphenol®
Amphenol Corporation
Amphenol Taiwan Corporation

This document is the property of Amphenol Corporation and is delivered on the express condition that it is not to be disclosed, reproduced or used in whole or in part, for manufacture or sale by anyone other than Amphenol Corporation without its prior consent, and that no right is granted to disclose or to use any information in this document.

The marking on this product doesn't contain environmental hazardous materials per Material Specification SS-00259 for Sony GP compliant or per directive 2002/95/EC for RoHS compliant.

REVISIONS				
SYM	ECN No.	DESCRIPTION	DATE	APPROVED
A		RELEASE TO PRODUCTION	09/06/2011	Roger Tsai
B	NE-13041	REMOVED NYLON46/WITHOUT CAP OPTION	03/26/2013	Roger Tsai
C	NE-13180	ADDED PCB OPTION & LOGO NOTE	11/05/2013	Roger Tsai
D	NE-14011	MODIFIED 164 POS. PACKAGING	01/16/2014	Roger Tsai
EX1		ADDED PCB OPTION	12/05/2014	Roger Tsai
EX2		ADDED DIM J & DIM K OPTION	12/10/2014	Roger Tsai
EX3	EDSR#5565	ADDED 1.83 PCB THICKNESS	05/14/2015	Arron Lin
EX4		ADDED DIM	05/22/2015	Arron Lin
EX5		UPDATE TO MATTE TIN	06/02/2015	Arron Lin



POSITION	N	DIM "F"
36	6	12.30
64	20	26.30
98	37	43.30
164	70	76.30

DIM "K"	DIM "L"
ø2.20 MM	ø2.30 MM
ø2.00 MM	ø2.10 MM

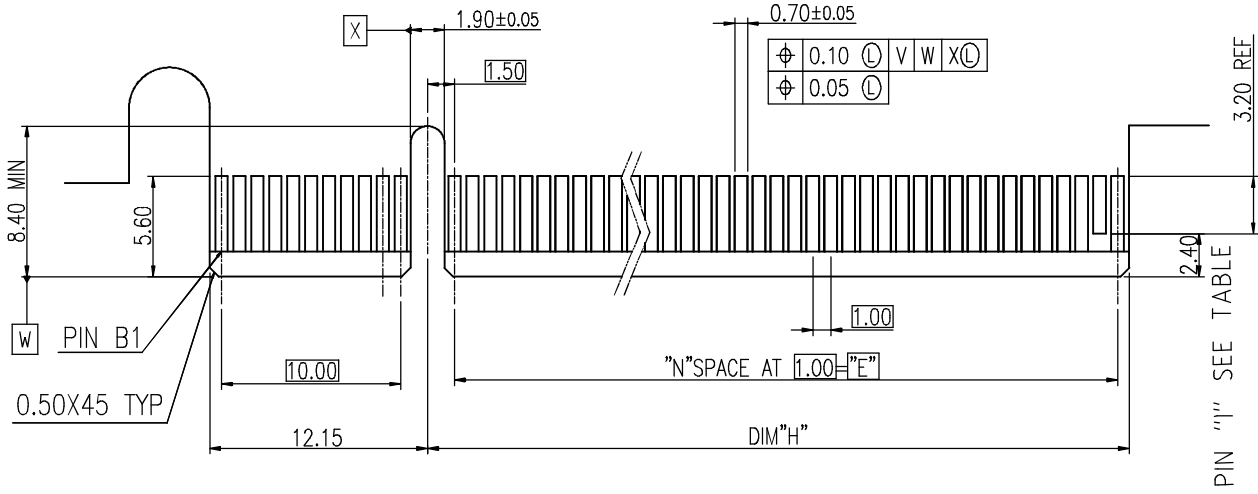
RECOMMEND OF PCB DIMENSIONS

TOLERANCE	APPROVALS	DATE	TITLE			PART No.		
X. ±0.30	DRAWN Debby Hung	06/02/2015	G630H SERIES, PCI EXPRESS 3.0 STRAIGHT, STRADDLE TYPE			Amphenol® Amphenol Corporation Amphenol Taiwan Corporation		
X.X ±0.20	CHECKED Roger Tsai	06/02/2015						
X.XXX ±0.10	APPROVED Arron Lin	06/02/2015						
ANGULAR ±1°	DWG TYPE CUST DWG	PROJECT CODE SLOT	UNIT mm	SIZE A3	G630HXXX2XXXEU			
UNLESS OTHERWISE SPECIFIED			SCALE NA	SHEET 2 OF 5	DWG No. G630HXXX2XXXEU	REV. EX5		

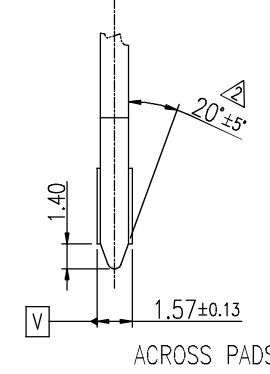
This document is the property of Amphenol Corporation and is delivered on the express condition that it is not to be disclosed, reproduced or used, in whole or in part, for manufacture or sale by anyone other than Amphenol Corporation without its prior consent, and that no right is granted to disclose or to use any information in this document.

The marking on this product doesn't contain environmental hazardous materials per Material Specification SS-00259 for Sony GP compliant or per directive 2002/95/EC for RoHS compliant.

REVISIONS				
SYM	ECN No.	DESCRIPTION	DATE	APPROVED
A		RELEASE TO PRODUCTION	09/06/2011	Roger Tsai
B	NE-13041	REMOVED NYLON46/WITHOUT CAP OPTION	03/26/2013	Roger Tsai
C	NE-13180	ADDED PCB OPTION & LOGO NOTE	11/05/2013	Roger Tsai
D	NE-14011	MODIFIED 164 POS. PACKAGING	01/16/2014	Roger Tsai
EX1		ADDED PCB OPTION	12/05/2014	Roger Tsai
EX2		ADDED DIM J & DIM K OPTION	12/10/2014	Roger Tsai
EX3	EDSR#5565	ADDED 1.83 PCB THICKNESS	05/14/2015	Arron Lin
EX4		ADDED DIM	05/22/2015	Arron Lin
EX5		UPDATE TO MATTE TIN	06/02/2015	Arron Lin



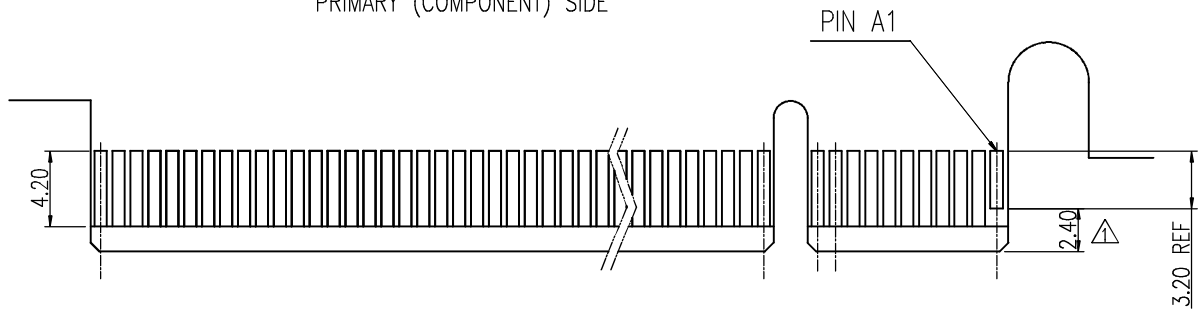
I/O PANEL DIRECTION
PRIMARY (COMPONENT) SIDE



ACROSS PADS

- △ NO TIE BAR PERMITTED FROM CARD EDGE TO LEADING EDGE OF PAD FOR PINS A1 AND PIN "I"
- △ CHAMFER EDGES MUST BE FREE OF CUTTING BURRS.

3 TOLERANCE: .XX±.13



I/O PANEL DIRECTION
SECONDARY (SOLDER) SIDE

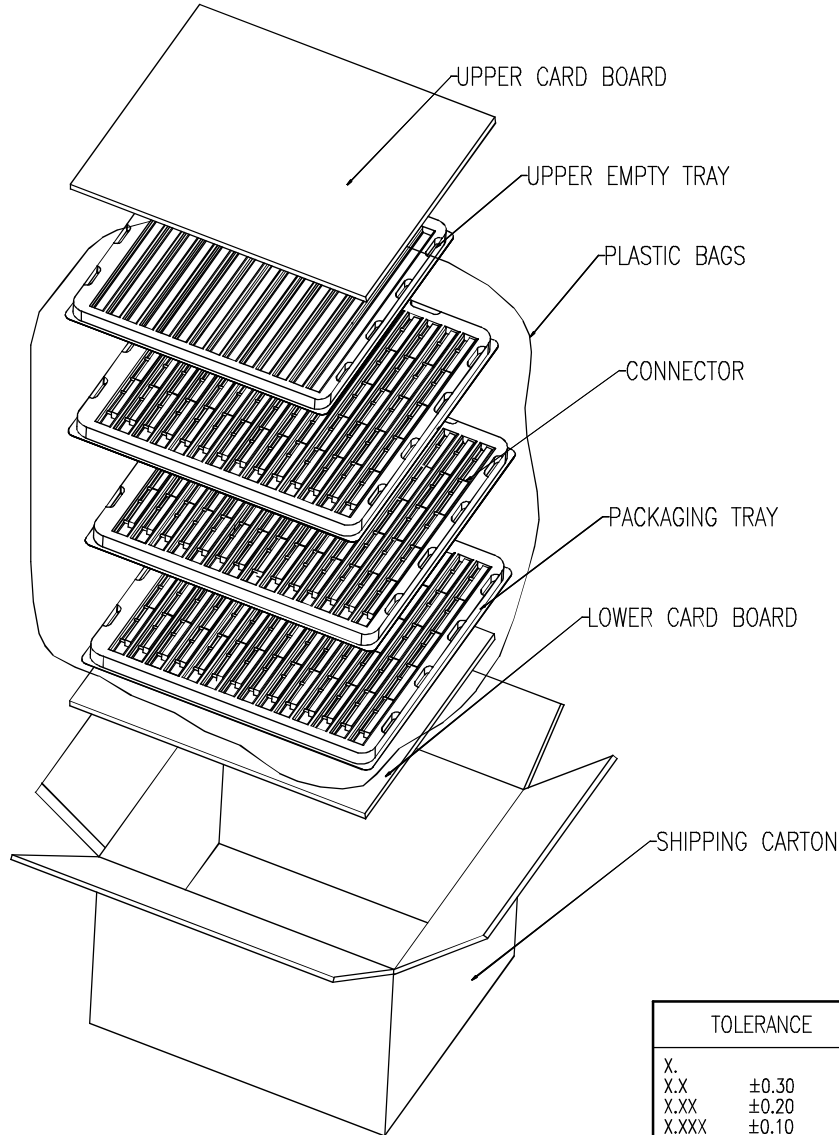
POSITION	N	DIM"H"	PIN "I"
36	6	8.15	B17
64	20	22.15	B31
98	37	39.15	B48
164	70	72.15	B81

TOLERANCE	APPROVALS	DATE	TITLE			PART No.		
X. ±0.30	DRAWN Debby Hung	06/02/2015	G630H SERIES, PCI EXPRESS 3.0 STRAIGHT, STRADDLE TYPE			Amphenol® Amphenol Corporation Amphenol Taiwan Corporation		
X.X ±0.20	CHECKED Roger Tsai	06/02/2015						
X.XX ±0.20	APPROVED Arron Lin	06/02/2015	UNIT mm	SIZE A3	G630HXXX2XXXEU			
X.XXX ±0.10	DWG TYPE CUST DWG	PROJECT CODE SLOT	SCALE NA	SHEET 3 OF 5	DWG No.	G630HXXX2XXXEU		REV. EX5
ANGULAR ±1°								
UNLESS OTHERWISE SPECIFIED								

This document is the property of Amphenol Corporation and is delivered on the express condition that it is not to be disclosed, reproduced or used in whole or in part, for manufacture or sale by anyone other than Amphenol Corporation without its prior consent, and that no right is granted to disclose or to use any information in this document.

The marking on this product doesn't contain environmental hazardous materials per Material Specification SS-00259 for Sony GP compliant or per directive 2002/95/EC for RoHS compliant.

REVISIONS				
SYM	ECN No.	DESCRIPTION	DATE	APPROVED
A		RELEASE TO PRODUCTION	09/06/2011	Roger Tsai
B	NE-13041	REMOVED NYLON46/WITHOUT CAP OPTION	03/26/2013	Roger Tsai
C	NE-13180	ADDED PCB OPTION & LOGO NOTE	11/05/2013	Roger Tsai
D	NE-14011	MODIFIED 164 POS. PACKAGING	01/16/2014	Roger Tsai
EX1		ADDED PCB OPTION	12/05/2014	Roger Tsai
EX2		ADDED DIM J & DIM K OPTION	12/10/2014	Roger Tsai
EX3	EDSR#5565	ADDED 1.83 PCB THICKNESS	05/14/2015	Arron Lin
EX4		ADDED DIM	05/22/2015	Arron Lin
EX5		UPDATE TO MATTE TIN	06/02/2015	Arron Lin



CIRCUIT SIZE	36	64	98
PARTS PER CARTON<S.P.Q>	1755	1170	975
PARTS PER TRAY	117	78	65
TOTEL TRAY PER CARTON	16	16	16

NOTES:

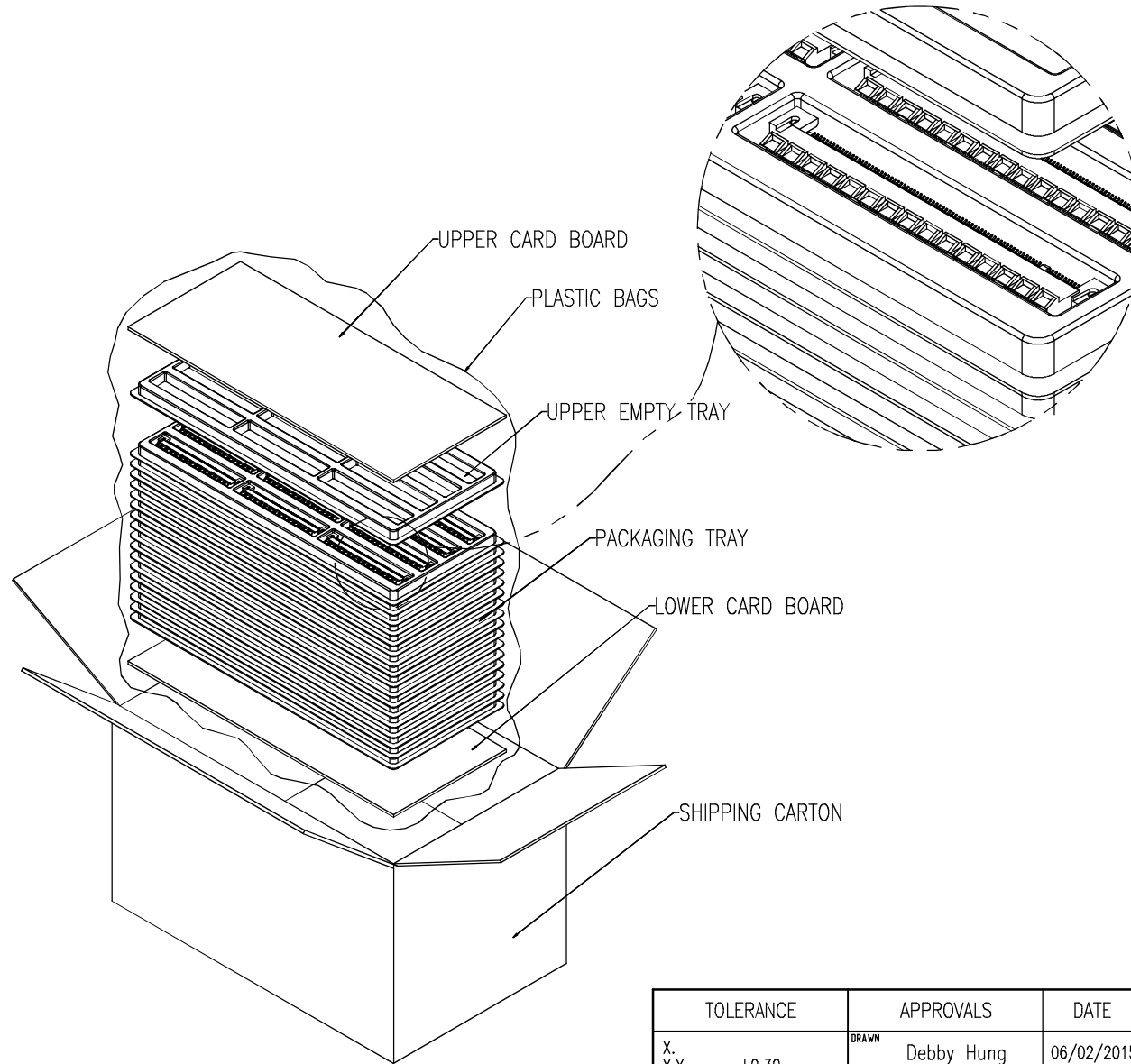
1. STAPLES SHOULD ONLY BE USED TO SET UP CARTON. ALL CARTON CLOSURES MUST BE DONE WITH TAPE.
2. FILL PACKAGING TRAYS WITH THE QUANTITIES AS INDICATED IN THE CHART.
3. IN THE 16 PLASTIC TRAYS ,THE TOP PLASTIC TRAY IS TO COVER THE CONNECTORS ,THE OTHERS ARE FILLED WITH CONNECTORS.

TOLERANCE	APPROVALS	DATE	TITLE			Amphenol®		
X. ±0.30	DRAWN Debby Hung	06/02/2015	G630H SERIES, PCI EXPRESS 3.0 STRAIGHT, STRADDLE TYPE			Amphenol Corporation Amphenol Taiwan Corporation		
X.X ±0.20	CHECKED Roger Tsai	06/02/2015						
X.XXX ±0.10	APPROVED Arron Lin	06/02/2015	UNIT mm SIZE A3			PART No. G630HXXX2XXXEU		
ANGULAR ±1°	DWG TYPE CUST DWG	PROJECT CODE SLOT	SCALE NA SHEET 4 OF 5			DWG No. G630HXXX2XXXEU REV. EX5		
UNLESS OTHERWISE SPECIFIED								

This document is the property of Amphenol Corporation and is delivered on the express condition that it is not to be disclosed, reproduced or used in whole or in part, for manufacture or sale by anyone other than Amphenol Corporation without its prior consent, and that no right is granted to disclose or to use any information in this document.

The marking on this product doesn't contain environmental hazardous materials per Material Specification SS-00259 for Sony GP compliant or per directive 2002/95/EC for RoHS compliant.

REVISIONS				
SYM	ECN No.	DESCRIPTION	DATE	APPROVED
A		RELEASE TO PRODUCTION	09/06/2011	Roger Tsai
B	NE-13041	REMOVED NYLON46/WITHOUT CAP OPTION	03/26/2013	Roger Tsai
C	NE-13180	ADDED PCB OPTION & LOGO NOTE	11/05/2013	Roger Tsai
D	NE-14011	MODIFIED 164 POS. PACKAGING	01/16/2014	Roger Tsai
EX1		ADDED PCB OPTION	12/05/2014	Roger Tsai
EX2		ADDED DIM J & DIM K OPTION	12/10/2014	Roger Tsai
EX3	EDSR#5565	ADDED 1.83 PCB THICKNESS	05/14/2015	Arron Lin
EX4		ADDED DIM	05/22/2015	Arron Lin
EX5		UPDATE TO MATTE TIN	06/02/2015	Arron Lin



CIRCUIT SIZE	164
PARTS PER CARTON<S.P.Q>	204
PARTS PER TRAY	12
TOTEL TRAY PER CARTON	18

3

NOTES:

1. STAPLES SHOULD ONLY BE USED TO SET UP CARTON. ALL CARTON CLOSURES MUST BE DONE WITH TAPE.
 2. FILL PACKAGING TRAYS WITH THE QUANTITIES AS INDICATED IN THE CHART.
- 3 IN THE 18 PLASTIC TRAYS ,THE TOP PLASTIC TRAY IS TO COVER THE CONNECTORS ,THE OTHERS ARE FILLED WITH CONNECTORS.

TOLERANCE	APPROVALS	DATE	TITLE			PART No.			
X. ±0.30	DRAWN Debby Hung	06/02/2015	G630H SERIES, PCI EXPRESS 3.0 STRAIGHT, STRADDLE TYPE			Amphenol® Amphenol Corporation Amphenol Taiwan Corporation			
X.X ±0.20	CHECKED Roger Tsai	06/02/2015							
X.XX ±0.20	APPROVED Arron Lin	06/02/2015	UNIT mm	SIZE A3	G630HXXX2XXXEU				
X.XXX ±0.10			SCALE NA	SHEET 5 OF 5	DWG No.		G630HXXX2XXXEU		REV. EX5
ANGULAR ±1°	DWG TYPE CUST DWG	PROJECT CODE SLOT							
UNLESS OTHERWISE SPECIFIED									