



Chipsmall Limited consists of a professional team with an average of over 10 year of expertise in the distribution of electronic components. Based in Hongkong, we have already established firm and mutual-benefit business relationships with customers from,Europe,America and south Asia,supplying obsolete and hard-to-find components to meet their specific needs.

With the principle of “Quality Parts,Customers Priority,Honest Operation,and Considerate Service”,our business mainly focus on the distribution of electronic components. Line cards we deal with include Microchip,ALPS,ROHM,Xilinx,Pulse,ON,Everlight and Freescale. Main products comprise IC,Modules,Potentiometer,IC Socket,Relay,Connector.Our parts cover such applications as commercial,industrial, and automotives areas.

We are looking forward to setting up business relationship with you and hope to provide you with the best service and solution. Let us make a better world for our industry!



Contact us

Tel: +86-755-8981 8866 Fax: +86-755-8427 6832

Email & Skype: info@chipsmall.com Web: www.chipsmall.com

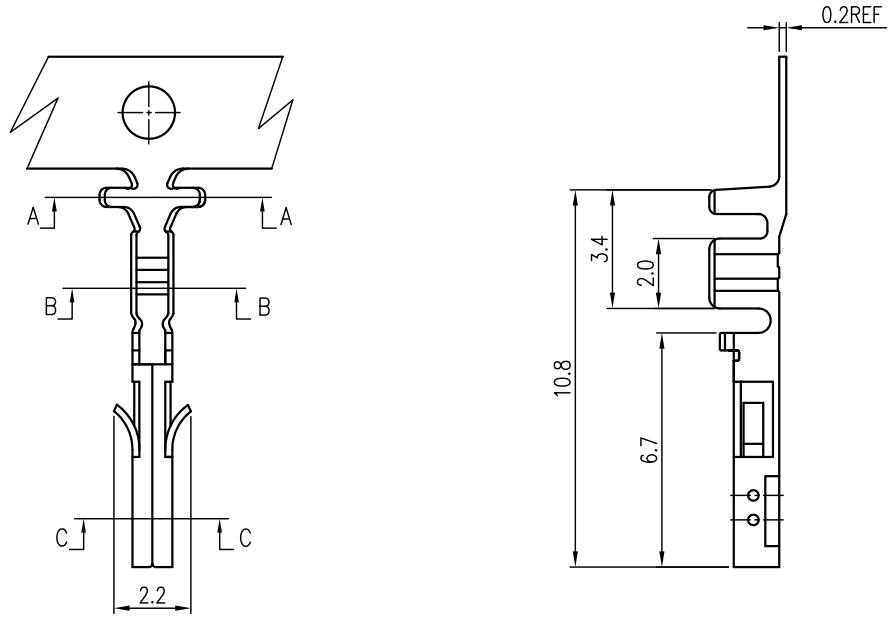
Address: A1208, Overseas Decoration Building, #122 Zhenhua RD., Futian, Shenzhen, China



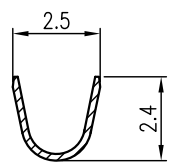
This document is the property of Amphenol Corporation and is delivered on the express condition that is not to be disclosed, reproduced or used, in whole or in part, for manufacture or sale by anyone other than Amphenol Corporation without its prior consent, and that no right is granted to disclose or to use any information in this document.
The marking on this product doesn't contain environmental hazardous materials per Material Specification 55-00259 for Sony GP compliant or per directive 2011/65/EC for RoHS compliant.

**PRELIMINARY RELEASE
SUBJECT TO CHANGE**

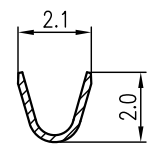
REVISIONS				
SYM	ECN No.	DESCRIPTION	DATE	APPROVED
AX1		NON-RELEASE TO PRODUCTION	07/18/2013	Arron Lin



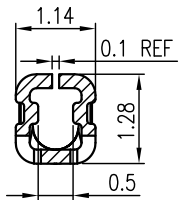
- NOTES:**
- MATERIAL:
TERMINAL: PHOSPHOR BRONZE.
 - FINISH:
TERMINAL:
TIN PLATING 100 μ" THICKNESS MIN. OVERALL.
UNDER PLATING: NICKEL PLATING 50 μ" THICKNESS MIN. OVERALL.
 - PACKING IS PER AMTA PACKING SPECIFICATION PKS-0001.
 - THIS PRODUCT DOESN'T CONTAIN ENVIRONMENTAL HAZARDOUS PER DIRECTIVE 2011/65/EC FOR RoHS COMPLIANT.
 - TERMINAL Q'ty/REEL: 10,000PCS.
 - APPLICABLE WIRES: AWG#22~#28, INSULATOR O.D: 1.2~1.7mm.
 - RECOMMENDED HOUSING P/N: G881HXX22CEU



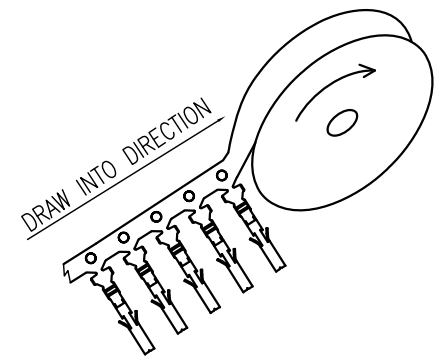
SEC A-A



SEC B-B



SEC C-C
SCALE 2:1



TOLERANCE		APPROVALS		DATE	TITLE		Amphenol®		
X.		DRAWN Debby Hung		07/18/2013	TERMINAL FOR MICRO-FIT CONNECTOR 3.0MM PITCH		Amphenol Corporation		
X.X	±0.30	CHECKED Roger Tsai		07/18/2013			Amphenol Taiwan Corporation		
X.XX	±0.20	APPROVED Arron Lin		07/18/2013			PART No. G881C0232CEU		
X.XXX	±0.10	DWG TYPE CUST DWG		PROJECT CODE SKT		UNIT mm	SIZE A3	PART No. G881C0232CEU	
ANGULAR	±1°	UNLESS OTHERWISE SPECIFIED				SCALE NA	SHEET 1 OF 1	DWG No. G881C0232CEU	REV. AX1