



Chipsmall Limited consists of a professional team with an average of over 10 year of expertise in the distribution of electronic components. Based in Hongkong, we have already established firm and mutual-benefit business relationships with customers from,Europe,America and south Asia,supplying obsolete and hard-to-find components to meet their specific needs.

With the principle of “Quality Parts,Customers Priority,Honest Operation,and Considerate Service”,our business mainly focus on the distribution of electronic components. Line cards we deal with include Microchip,ALPS,ROHM,Xilinx,Pulse,ON,Everlight and Freescale. Main products comprise IC,Modules,Potentiometer,IC Socket,Relay,Connector.Our parts cover such applications as commercial,industrial, and automotives areas.

We are looking forward to setting up business relationship with you and hope to provide you with the best service and solution. Let us make a better world for our industry!



## Contact us

Tel: +86-755-8981 8866 Fax: +86-755-8427 6832

Email & Skype: info@chipsmall.com Web: www.chipsmall.com

Address: A1208, Overseas Decoration Building, #122 Zhenhua RD., Futian, Shenzhen, China



# Ares



- PCB Mounted Pressure Transducers
- Amplified Output
- Differential and Gage
- Temperature Compensated

## DESCRIPTION

The Ares is a small, low cost pressure transducer, which is able to measure pressures as low as 0-5 inches of water and as high as 0-1 psi. Sensitivity to extremely low pressures combined with the small physical size make this device ideally suited for application such as HVAC, medical equipment, and flow monitoring. The GA100 series has a 4V span from 0.50V to 4.50V and the GA200 series has a 3.75V span from 0.25-4.00 V.

The plastic housing design for the Ares Series makes the device very user friendly. The housing is designed to be printed circuit board mountable, requiring no additional hardware. Built into the housing are self locking pins which insure a secure fit between the housing and the PCB. The pressure ports are 3/16" barbed ports which mate with industry standard 1/8" or 3/16" ID tubing. These ports are mounted 90° to the printed circuit board to allow other boards to be located above the sensor.

The Ares utilizes a unique sensor circuit design to provide ASIC digital error correction and signal amplification while maintaining an analog signal path. This technique delivers the high level of error correction associated with microprocessor-based circuits, while maintaining a typical bandwidth of >1 kHz generally found only in analog circuits. The result is a pressure sensor that offers the ultimate in low cost and high accuracy, while preserving the fast response and smooth output inherent to silicon sensors.

Due to its small size, barbed pressure ports, and solder re-flow capability, the Ares pressure transducer is ideally suited for a wide range of applications.

## FEATURES

- In H<sub>2</sub>O Pressure Ranges
- PCB Mountable
- Solder Reflow Capability
- Barbed Pressure Ports
- Dry/Dry Differential Transducer

## APPLICATIONS

- Respirators/Ventilators
- CPAP/Sleep Apnea Instruments
- Medical Instruments
- HVAC/Air Flow Management
- Leak Detection

## STANDARD RANGES

Range	In H <sub>2</sub> O	psi
0 to 5	•	
0 to 10	•	
0 to 15	•	
0 to 1		•

## PERFORMANCE SPECIFICATIONS

**Supply Voltage: 5V**

**Ambient Temperature: 25°C (unless otherwise specified)**

**Pressure applied to Port A**

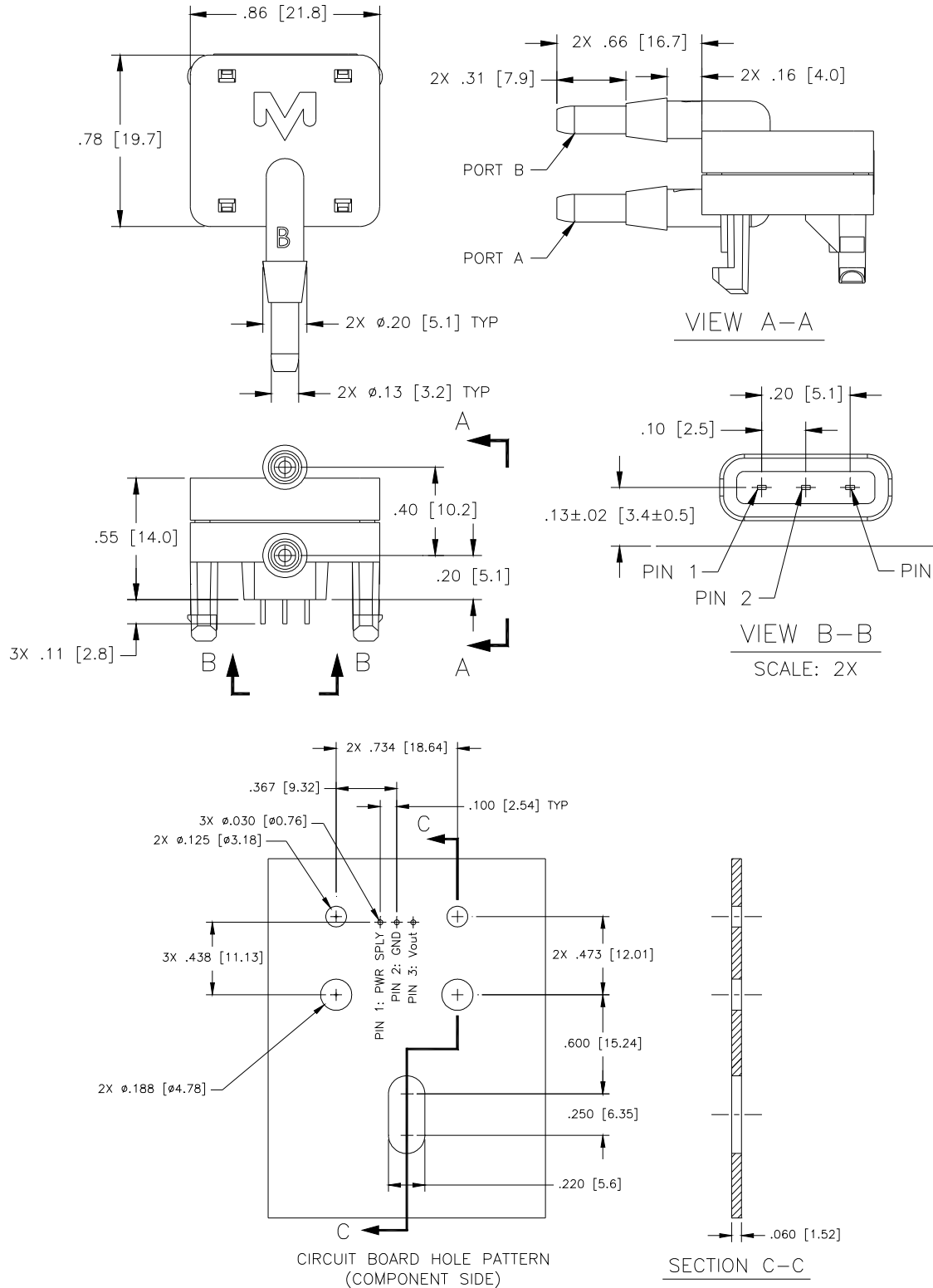
PARAMETERS	MIN	TYP	MAX	UNITS	NOTES
Span (GA100 Series)	3.975	4.000	4.025	V	1,5
Span (GA200 Series)	3.725	3.750	3.775	V	1,5
Zero Offset (GA100 Series)	0.450	0.500	0.550	V	1
Zero Offset (GA200 Series)	0.200	0.250	0.300	V	1
Pressure Non Linearity (0-5 in H <sub>2</sub> O)	-0.25		0.25	%Span	2
Pressure Non Linearity (0-10 and 0-15 in H <sub>2</sub> O)	-0.5		0.5	%Span	2
Pressure Non Linearity (0-1 psi)	-1.5		1.5	%Span	2
Output Impedance		5		Ω	
Temperature Error – Span			1.5	%Span	3
Temperature Error – Zero			1.5	%Span	3
Input Voltage Range	4.75	5.00	5.25	V	
Quiescent Current		3		mA	
Burst Pressure	10			psi	
Common Mode Pressure			10	psi	
Long Term Stability (Offset & Span)		±0.5		%Span	4
Compensated Temperature	0		60	°C	
Operating Temperature	-25		+80	°C	
Storage Temperature	-25		+80	°C	
Humidity	0		95	RH	
Weight			3	grams	
Solder Temperature	240°C Max 5 Sec.				
Media	Non-Corrosive Dry Gases				

### Notes

1. Ratiometric to supply voltage.
2. Best fit straight line.
3. Maximum temperature error between 0°C and 60°C with respect to 25°C.
4. Long term stability over a one year period with constant voltage and temperature.
5. For differential applications, the input pressure to Port A must be higher than Port B.

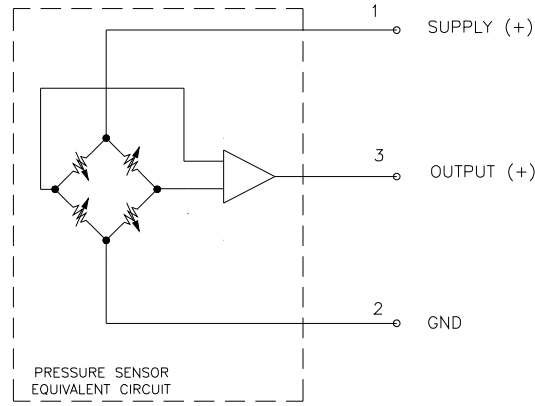
**DIMENSIONS**

UNITS IN INCHES [mm]



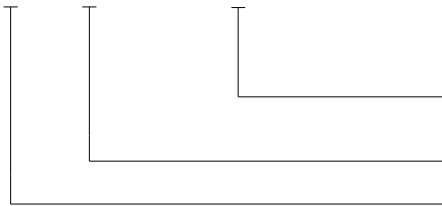
# Ares

## CONNECTIONS



## ORDERING INFORMATION

GA 100 - 005WD



Pressure Range (005WD = 5 in H<sub>2</sub>O, 010WD = 10 in H<sub>2</sub>O, 015WD = 15 in H<sub>2</sub>O, 001PD = 1psi)

Output Configuration (100 = 0.5 to 4.5V, 200 = 0.250 to 4V)

Model

### NORTH AMERICA

Measurement Specialties  
45738 Northport Loop West  
Fremont, CA 94538  
Tel: 1-800-767-1888  
Fax: 1-510-498-1578  
Sales: [pfg.cs.amer@meas-spec.com](mailto:pfg.cs.amer@meas-spec.com)

### EUROPE

Measurement Specialties  
(Europe), Ltd.  
26 Rue des Dames  
78340 Les Clayes-sous-Bois, France  
Tel: +33 (0) 130 79 33 00  
Fax: +33 (0) 134 81 03 59  
Sales: [pfg.cs.emea@meas-spec.com](mailto:pfg.cs.emea@meas-spec.com)

### ASIA

Measurement Specialties  
(China), Ltd.  
F1.6-4D, Tian An Development  
Compound  
Shenzhen, China 518048  
Tel: +86 755 8330 1004  
Fax: +86 755 8330 6797  
Sales: [pfg.cs.asia@meas-spec.com](mailto:pfg.cs.asia@meas-spec.com)

The information in this sheet has been carefully reviewed and is believed to be accurate; however, no responsibility is assumed for inaccuracies. Furthermore, this information does not convey to the purchaser of such devices any license under the patent rights to the manufacturer. Measurement Specialties, Inc. reserves the right to make changes without further notice to any product herein. Measurement Specialties, Inc. makes no warranty, representation or guarantee regarding the suitability of its product for any particular purpose, nor does Measurement Specialties, Inc. assume any liability arising out of the application or use of any product or circuit and specifically disclaims any and all liability, including without limitation consequential or incidental damages. Typical parameters can and do vary in different applications. All operating parameters must be validated for each customer application by customer's technical experts. Measurement Specialties, Inc. does not convey any license under its patent rights nor the rights of others.