



Chipsmall Limited consists of a professional team with an average of over 10 year of expertise in the distribution of electronic components. Based in Hongkong, we have already established firm and mutual-benefit business relationships with customers from,Europe,America and south Asia,supplying obsolete and hard-to-find components to meet their specific needs.

With the principle of “Quality Parts,Customers Priority,Honest Operation,and Considerate Service”,our business mainly focus on the distribution of electronic components. Line cards we deal with include Microchip,ALPS,ROHM,Xilinx,Pulse,ON,Everlight and Freescale. Main products comprise IC,Modules,Potentiometer,IC Socket,Relay,Connector.Our parts cover such applications as commercial,industrial, and automotives areas.

We are looking forward to setting up business relationship with you and hope to provide you with the best service and solution. Let us make a better world for our industry!



Contact us

Tel: +86-755-8981 8866 Fax: +86-755-8427 6832

Email & Skype: info@chipsmall.com Web: www.chipsmall.com

Address: A1208, Overseas Decoration Building, #122 Zhenhua RD., Futian, Shenzhen, China



AIRTRIM® AIR DIELECTRIC MULTITURN TRIMMER CAPACITORS

APPLICATIONS

Designed for VHF, UHF and microwave applications: amplifiers, oscillators, filters, radar, cable TV, mobile radios and RF appliances. Suitable for military and aerospace environments.

FEATURES

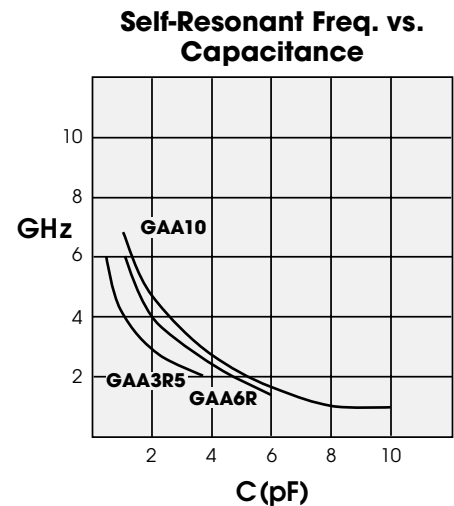
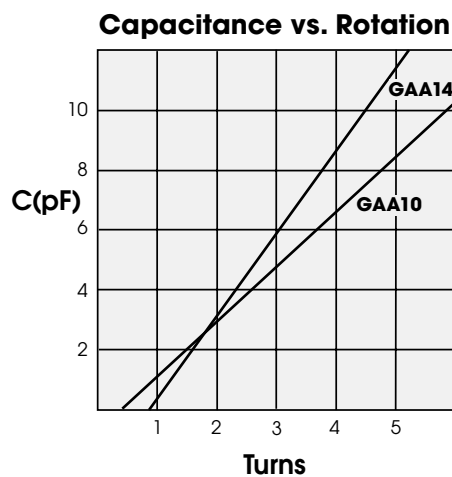
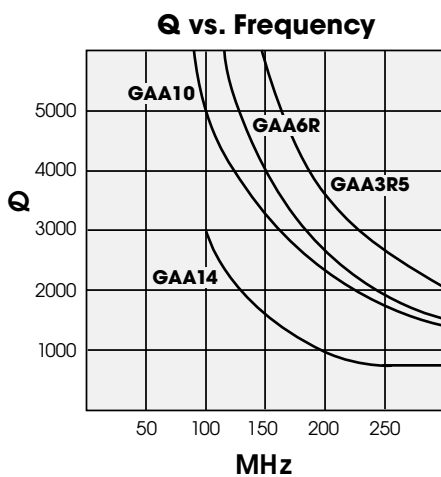
- High Q
- Fourteen standard mounting styles, including surface mount
- Excellent stability
- Designed to meet MIL-C-14409D
- Multiturn resolution

SPECIFICATIONS

Operating Temperature Range: -65° to $+125^{\circ}\text{C}$
 Working Voltage: 250 VDC
 Test Voltage: 500 VDC
 Insulation Resistance: $>10^9$ Megohms
 Contact Resistance: <0.01 Ohms



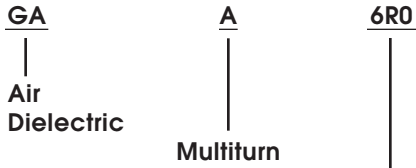
Q: >5000 at 100 MHz
 Vibration: 60 g, 10 to 2000Hz
 Shock: 1500 g, 0.5 ms
 Constructed with 300°C solder



Sprague-Goodman Electronics, Inc.

1700 SHAMES DRIVE, WESTBURY, NY 11590
 TEL: 516-334-8700 • FAX: 516-334-8771
 E-MAIL: info@spraguegoodman.com

PART NUMBERING SYSTEM



Maximum Rated Capacitance — expressed in pF by three digits. The first two are significant figures; the last specifies the number of zeros that follow. The letter R indicates a decimal point.

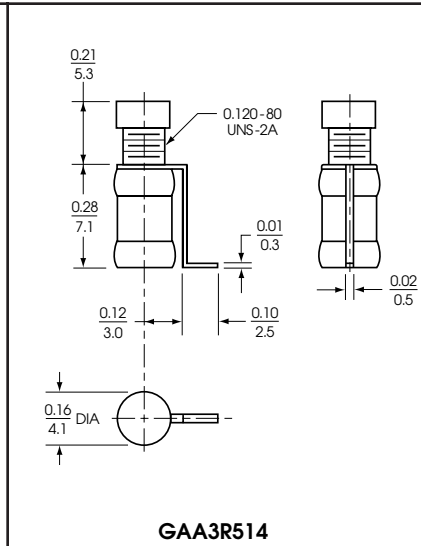
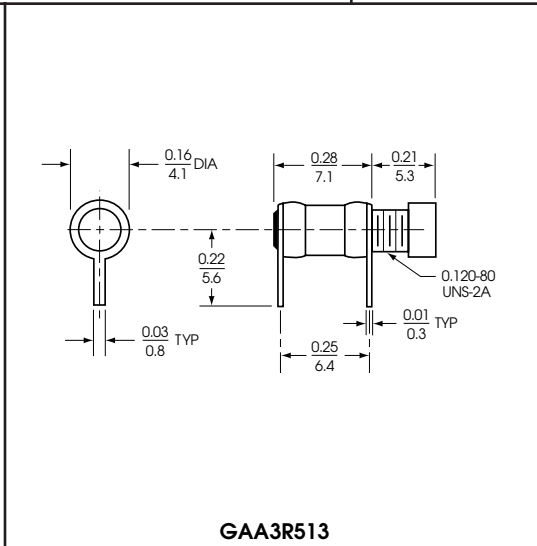
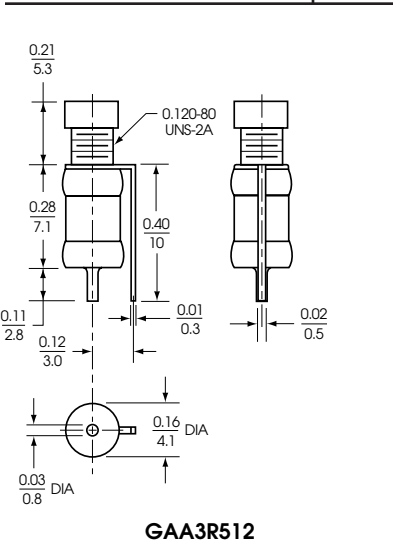
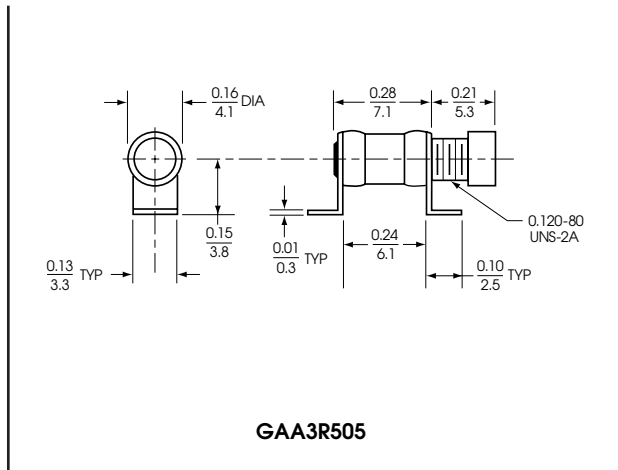
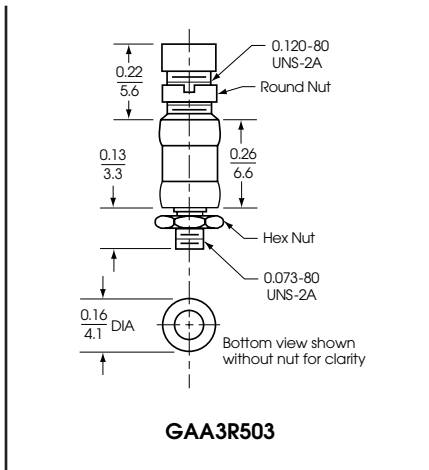
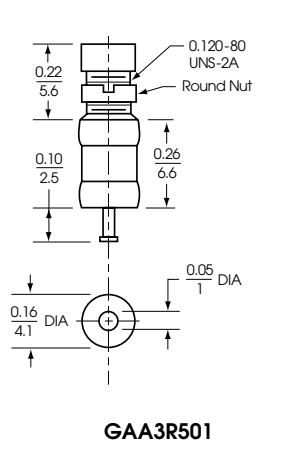
01 Mounting Modifications

- 01 — Panel mount, turret
- 02 — Panel mount, lug
- 03 — Panel mount, threaded stud
- 04 — PC mount, 3 lugs (1 stator, 2 rotor)
- 05 — Horizontal surface mount
- 06 — Vertical mount, turret and lug (wide single)
- 07 — Vertical mount, stud and lug (wide single)
- 08 — Vertical mount, through board
- 09 — Vertical surface mount (wide lead)
- 10 — Vertical turret and lugs (wide double)
- 11 — Vertical turret and lugs (narrow double)
- 12 — Vertical turret and lug (narrow single)
- 13 — PC mount, 2 lugs
- 14 — Vertical surface mount (narrow lead)

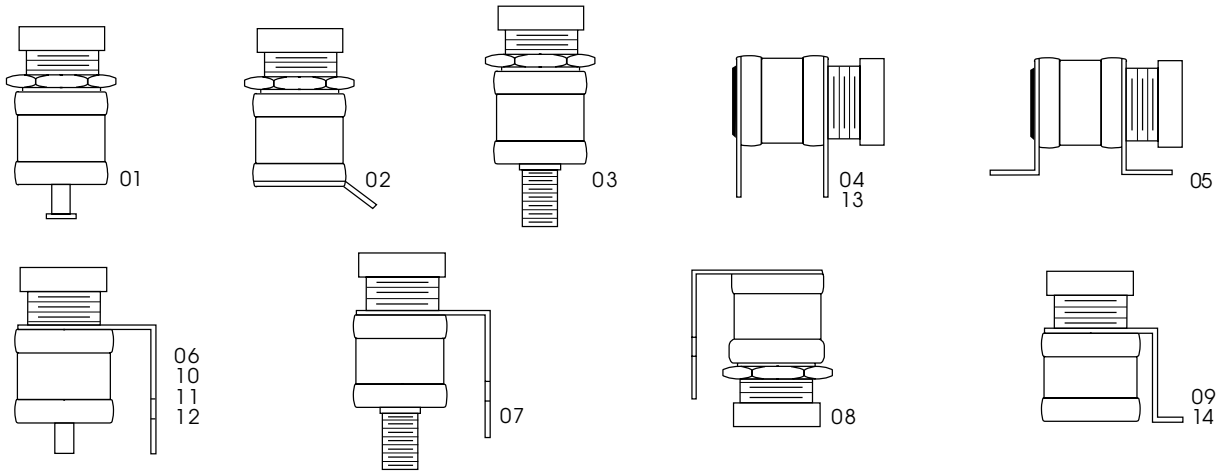
0.35–3.5 pF CAPACITANCE RANGE

- Torque: 0.3 to 3.0 oz-in (22 to 216 g-cm)
- Temperature Coefficient: ±30 ppm/°C
- Self-Resonant Frequency: >6 GHz at min capacitance

Dimensions are in/mm
Adjust screw slot: 0.060/1.5 x 0.016/0.41



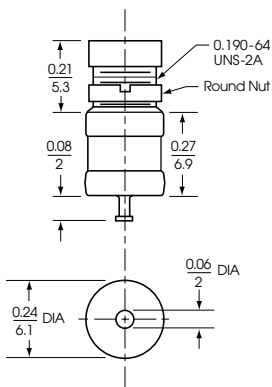
Not to scale.



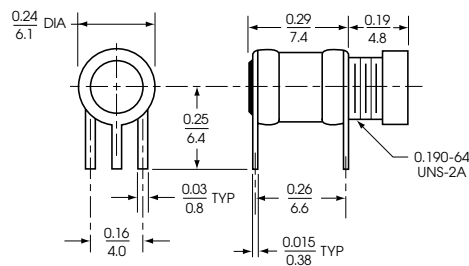
0.6-6.0 pF CAPACITANCE RANGE

- Torque: 0.4 to 4.0 oz-in (29 to 288 g-cm)
- Temperature Coefficient: ± 15 ppm/ $^{\circ}$ C
- Self-Resonant Frequency: > 6 GHz at min capacitance

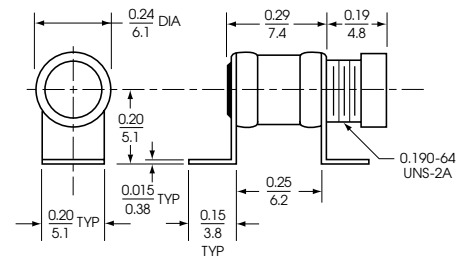
Dimensions are in/mm
Adjust screw slot: 0.13/3.3 x 0.020/0.51



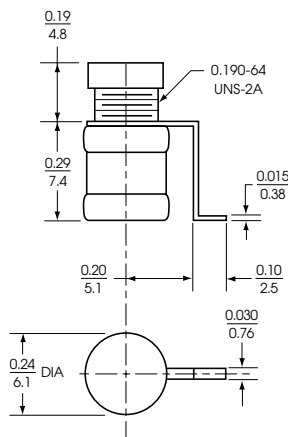
GAA6R001



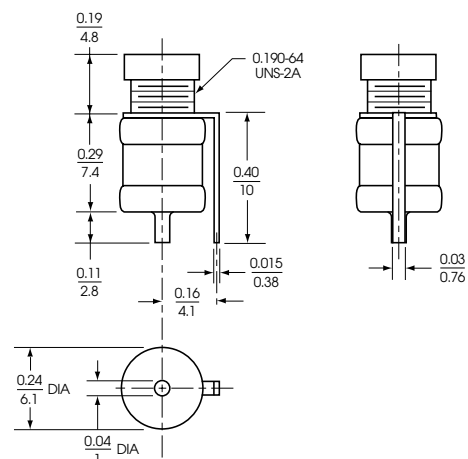
GAA6R004



GAA6R005



GAA6R014

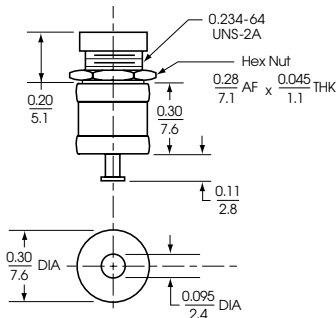


GAA6R012

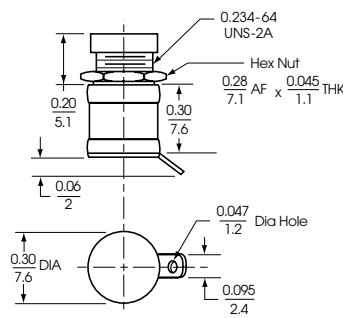
1.0 - 10.0 pF, 1.0 - 14.0 pF and 2.0 - 16.0 pF CAPACITANCE RANGES

- Torque: 0.5 to 5.0 oz-in (36 to 360 g-cm)
- Temperature Coefficient: ± 15 ppm/°C
- Self-Resonant Frequency: > 5 GHz at min capacitance

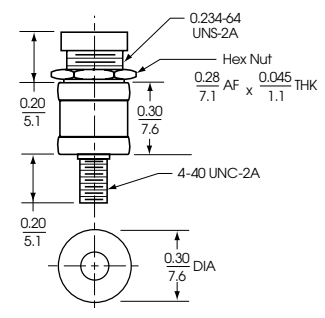
Dimensions are in/mm
Adjust screw slot: 0.16/4.0 x 0.020/0.51



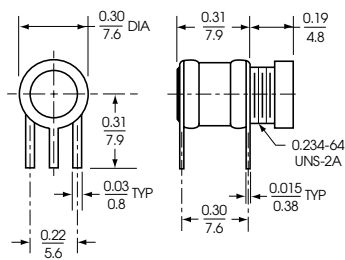
GAA10001, GAA14001 & GAA16001



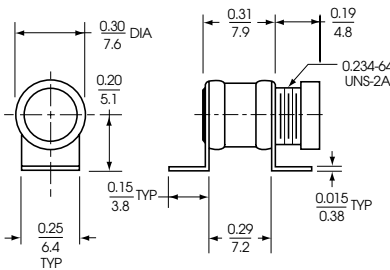
GAA10002, GAA14002 & GAA16002



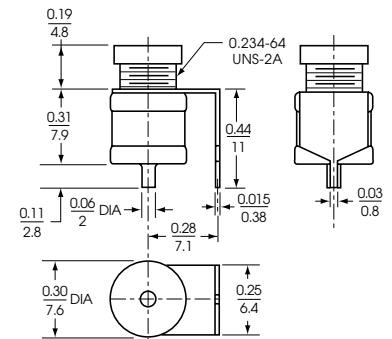
GAA10003, GAA14003 & GAA16003



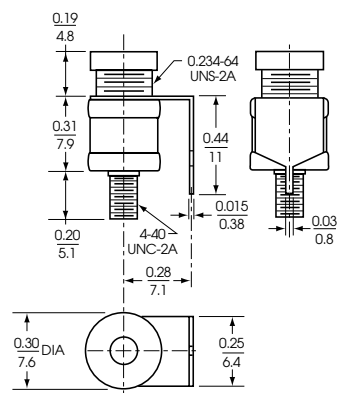
GAA10004, GAA14004 & GAA16004



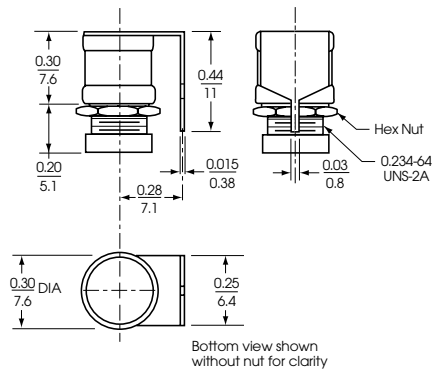
GAA10005, GAA14005 & GAA16005



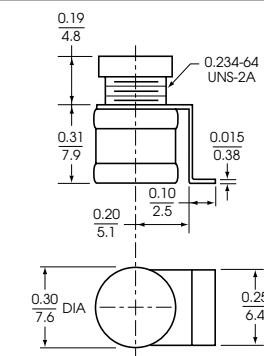
GAA10006, GAA14006 & GAA16006



GAA10007, GAA14007 & GAA16007



GAA10008, GAA14008 & GAA16008



GAA10009, GAA14009 & GAA16009

RECOMMENDED HANDLING PROCEDURE

Tuning

The rotor should not be torqued once maximum capacitance is reached.

Soldering

Maximum recommended solder temperature: 275°C.

Washing

Sealing Caps should be secured when washing board assemblies to prevent infusion of cleaning solvents

Sprague-Goodman Electronics, Inc.

1700 SHAMES DRIVE, WESTBURY, NY 11590
TEL: 516-334-8700 • FAX: 516-334-8771

E-MAIL: info@spraguegoodman.com • WEBSITE: <http://www.spraguegoodman.com>