



Chipsmall Limited consists of a professional team with an average of over 10 year of expertise in the distribution of electronic components. Based in Hongkong, we have already established firm and mutual-benefit business relationships with customers from,Europe,America and south Asia,supplying obsolete and hard-to-find components to meet their specific needs.

With the principle of “Quality Parts,Customers Priority,Honest Operation,and Considerate Service”,our business mainly focus on the distribution of electronic components. Line cards we deal with include Microchip,ALPS,ROHM,Xilinx,Pulse,ON,Everlight and Freescale. Main products comprise IC,Modules,Potentiometer,IC Socket,Relay,Connector.Our parts cover such applications as commercial,industrial, and automotives areas.

We are looking forward to setting up business relationship with you and hope to provide you with the best service and solution. Let us make a better world for our industry!



## Contact us

Tel: +86-755-8981 8866 Fax: +86-755-8427 6832

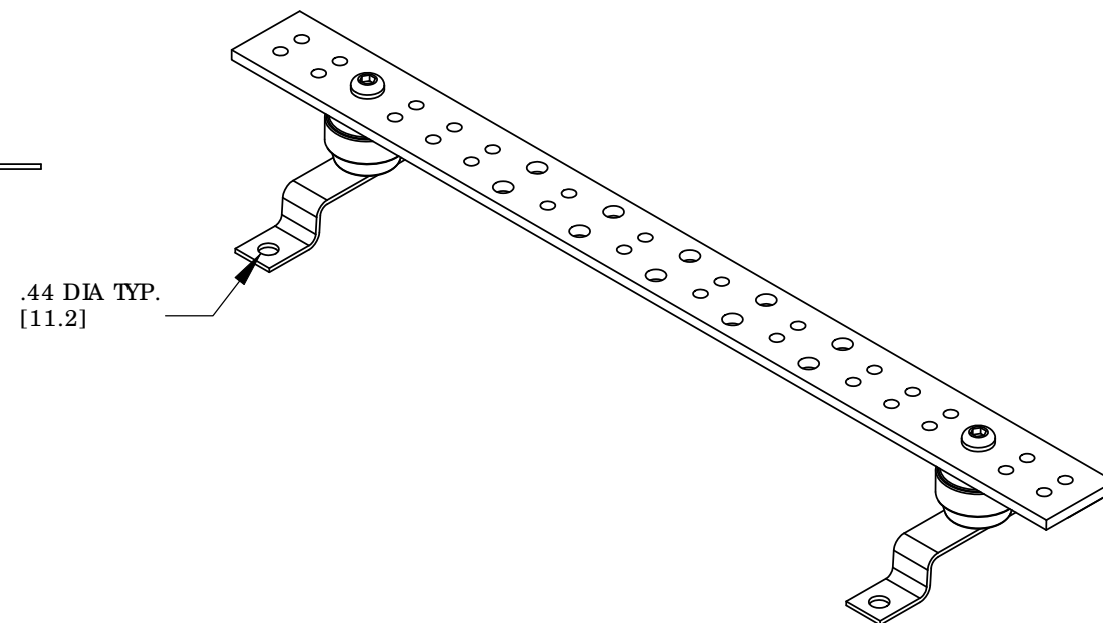
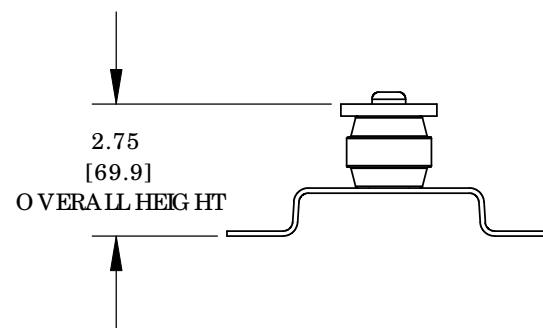
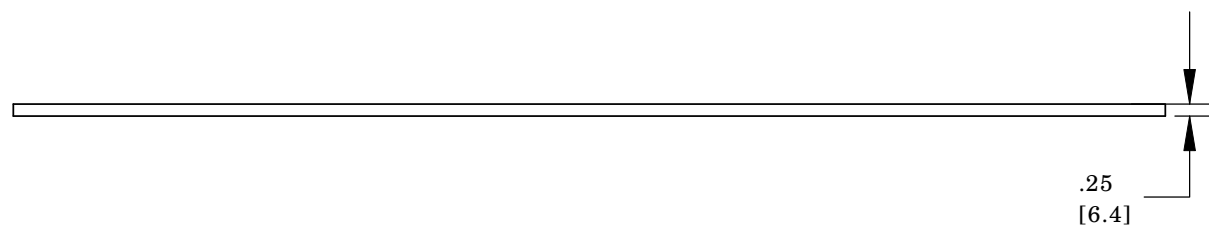
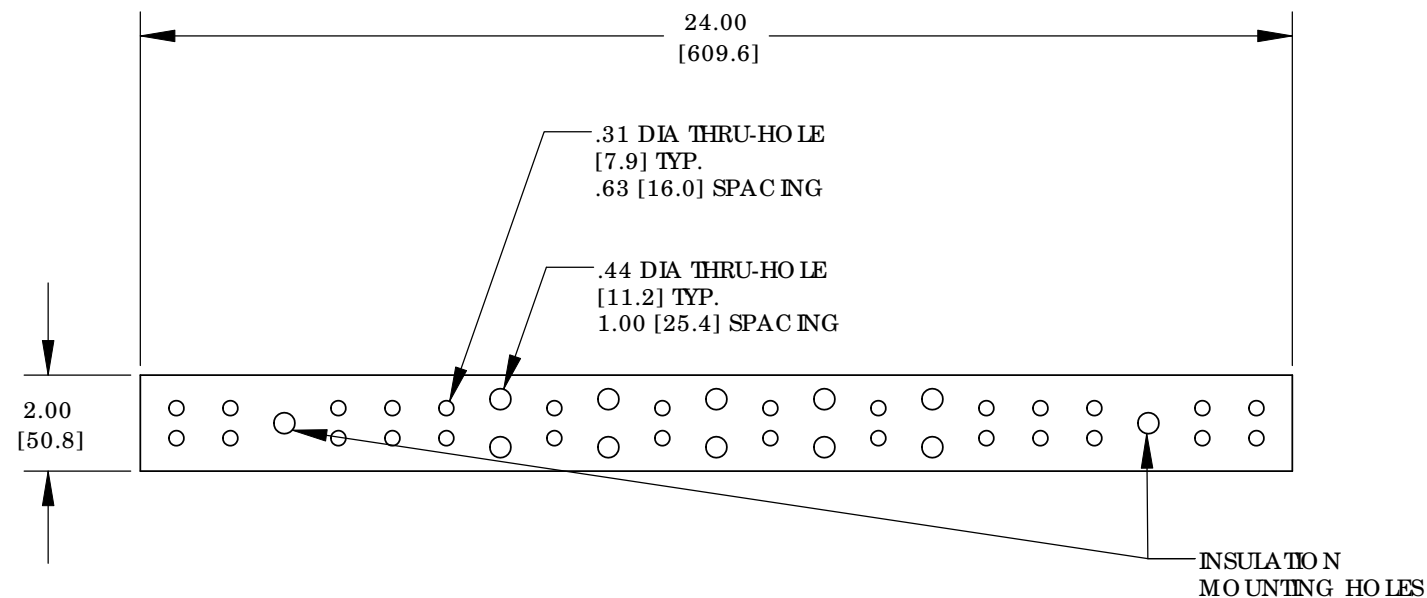
Email & Skype: info@chipsmall.com Web: www.chipsmall.com

Address: A1208, Overseas Decoration Building, #122 Zhenhua RD., Futian, Shenzhen, China



NOTES:

1. KIT COMES FULLY ASSEMBLED
2. KIT INCLUDES BUSBAR, MOUNTING BRACKETS, INSULATORS, AND MOUNTING HARDWARE.
3. MEETS BICSI J-STD-607-A
4. DIMENSIONS IN PARENTHESIS ARE MILLIMETERS.



ASSEMBLED AS SHOWN

REV	DATE	BY	CHK	DESCRIPTION	ECN	-R	SUP	CHK'D
05	12/10	JHNU	JHNU	REVISED AGENCY LOGO	N41741BC-C41741	FLD	FLD	
04	11/09	JHNU	JHNU	REVISED PART NUMBER: G B2B0514TPI WAS G B2B0314TPI				
03	12/08	JHNU	JHNU	REVISED PART NUMBER: G B2B0314TPI WAS G B2B0314-TPI-1				
02	11/08	JHNU	JHNU	REVISED DRAWING LAYOUT, REMOVED BRACKET VIEWS				
01	11/08	JHNU	DWA	REVISED BUSBAR BRACKET GEOMETRY				
00	5/08	JHNU	DWA	DRAWING RELEASED				

<b>PANDUIT CORP.</b> TINLEY PARK, ILLINOIS TG B BC SIG GROUNDED BUSBAR (G B2B0514TPI) CUSTOMER DRAWING		UNLESS OTHERWISE SPECIFIED DIMENSIONAL TOLERANCES ARE: (.X) ±                      (.XXX) ± (.XX) ±                     ANGLES ±		UNLESS OTHERWISE SPECIFIED, ALL DIMENSIONS ARE GIVEN IN INCHES, THIRD ANGLE PROJECTION
		DRAWN BY JHNU	MAT'L:	SCALE NONE
DATE 1/08	DRAWING NO / CAD FILE C41741_05	DWG B SIZE		