



Chipsmall Limited consists of a professional team with an average of over 10 year of expertise in the distribution of electronic components. Based in Hongkong, we have already established firm and mutual-benefit business relationships with customers from,Europe,America and south Asia,supplying obsolete and hard-to-find components to meet their specific needs.

With the principle of “Quality Parts,Customers Priority,Honest Operation,and Considerate Service”,our business mainly focus on the distribution of electronic components. Line cards we deal with include Microchip,ALPS,ROHM,Xilinx,Pulse,ON,Everlight and Freescale. Main products comprise IC,Modules,Potentiometer,IC Socket,Relay,Connector.Our parts cover such applications as commercial,industrial, and automotives areas.

We are looking forward to setting up business relationship with you and hope to provide you with the best service and solution. Let us make a better world for our industry!



Contact us

Tel: +86-755-8981 8866 Fax: +86-755-8427 6832

Email & Skype: info@chipsmall.com Web: www.chipsmall.com

Address: A1208, Overseas Decoration Building, #122 Zhenhua RD., Futian, Shenzhen, China

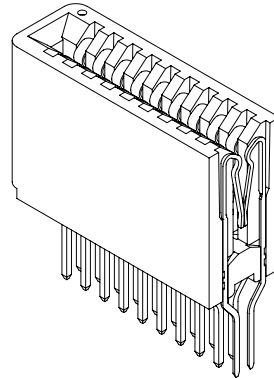




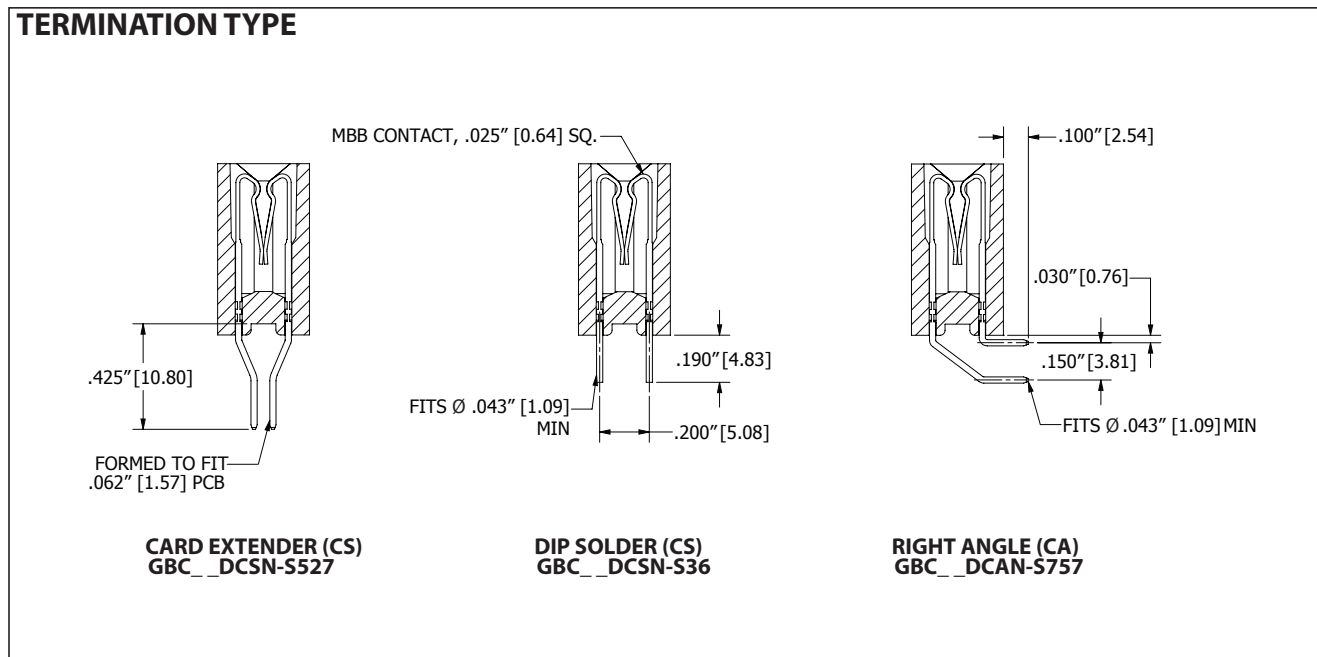
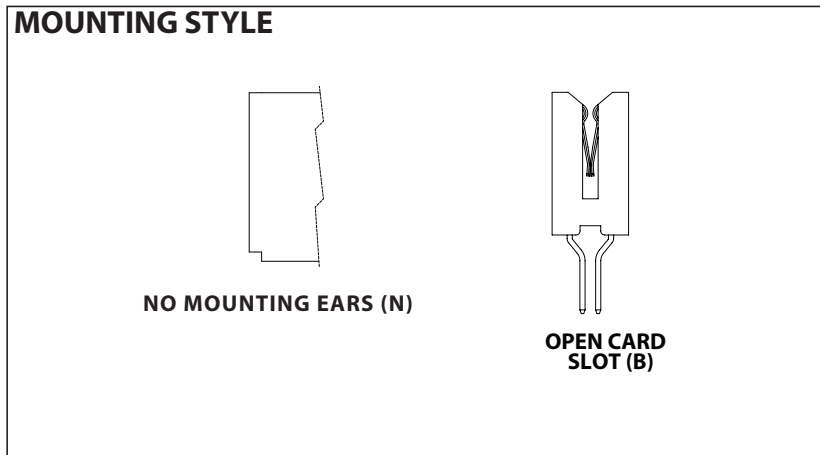
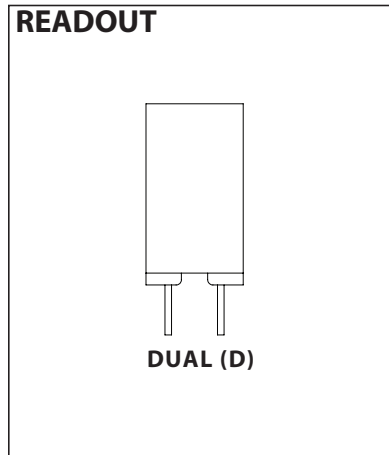
.100" [2.54 mm] Contact Centers, .690" [17.52 mm] Insulator Height, Make Before Break Dip Solder/Card Extender/Right Angle

SPECIFICATIONS

- Accommodates .062" ± .008" [1.57 mm ± 0.20 mm] PC board
- PA9T insulator
- Molded-in key available
- 3 Amps current rating for one contact energized
- 30 milli Ohms maximum at rated current
- UL Flammability Rating: 94V-0



Female Card Edge





.100" [2.54 mm] Contact Centers, .690" [17.52 mm] Insulator Height, Make Before Break Dip Solder/Card Extender/Right Angle

PART NUMBER OPTIONS

MATERIALS (INSULATOR/CONTACT)

G = PA9T/Phosphor Bronze
(Consult factory for other materials.)
Refer to Page 7 for Operating/Processing Temperatures

CONTACT FINISH - RoHS Compliant

All platings are Lead Free and have .000050" Nickel underplate

Contact Surface	Termination
B = .000010" Gold	.000100" Pure Tin, Matte
C = .000030" Gold	.000100" Pure Tin, Matte

CONTACT CENTERS

C = .100" [2.54 mm]

NUMBER OF CONTACT POSITIONS

See Chart Below

G B C 10 D CS N - S36

MODIFICATION CODE (Consult Factory)

-S757 = MBB, .150" [3.81] Row to Row on Right Angle
-S527 = MBB, Card Extender Accepts .062" [1.57 mm] PCB
-S36 = MBB, Straight Dip-Solder

MOUNTING STYLE

N = No Mounting
B = Open Card Slot Available for 50 position only

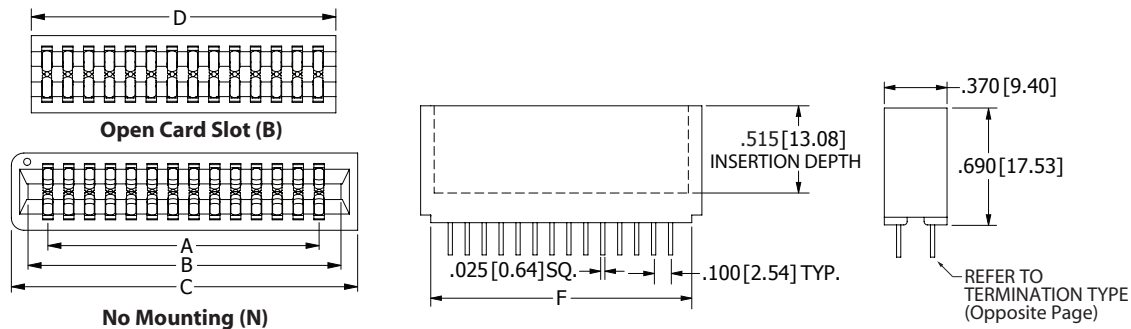
TERMINATION TYPE (Opposite Page)

Hairpin Bellows
CS = .025" [0.64 mm] Square Dip Solder/Card Extender
CA = .025" [0.64 mm] Square Right Angle

READOUT (Opposite Page)

D = Dual

DIMENSIONS Dimensions in [] are in millimeters, all others are in inches.



POSITIONS/ CONTACTS	A±.008 [0.20]		B±.008 [0.20]		C±.015 [0.38]		D±.020 [0.51]		F±.020 [0.51]	
	in	mm	in	mm	in	mm	in	mm	in	mm
02/04*	0.100	2.54	0.300	7.62	0.460	11.68	0.250	6.35	0.340	8.64
04/08*	0.300	7.62	0.500	12.70	0.660	16.76	0.450	11.43	0.540	13.72
06/12*	0.500	12.70	0.700	17.78	0.860	21.84	0.650	16.51	0.740	18.80
08/16*	0.700	17.78	0.900	22.86	1.060	26.92	0.850	21.59	0.940	23.88
10/20*	0.900	22.86	1.100	27.94	1.260	32.00	1.050	26.67	1.140	28.96
12/24*	1.100	27.94	1.300	33.02	1.460	37.08	1.250	31.75	1.340	34.04
14/28	1.300	33.02	1.500	38.10	1.660	42.16	1.450	36.83	1.540	39.12
16/32*	1.500	38.10	1.700	43.18	1.860	47.24	1.650	41.91	1.740	44.20
18/36*	1.700	43.18	1.900	48.26	2.060	52.32	1.850	46.99	1.940	49.28
20/40*	1.900	48.26	2.100	53.34	2.260	57.40	2.050	52.07	2.140	54.36
22/44*	2.100	53.34	2.300	58.42	2.460	62.48	2.250	57.15	2.340	59.44
24/48*	2.300	58.42	2.500	63.50	2.660	67.56	2.450	62.23	2.540	64.52
26/52*	2.500	63.50	2.700	68.58	2.860	72.64	2.650	67.31	2.740	69.60
28/56*	2.700	68.58	2.900	73.66	3.060	77.72	2.850	72.39	2.940	74.68
30/60*	2.900	73.66	3.100	78.74	3.260	82.80	3.050	77.47	3.140	79.76
32/64*	3.100	78.74	3.300	83.82	3.460	87.88	3.250	82.55	3.340	84.84
34/68*	3.300	83.82	3.500	88.90	3.660	92.96	3.450	87.63	3.540	89.92
36/72*	3.500	88.90	3.700	93.98	3.860	98.04	3.650	92.71	3.740	95.00
38/76*	3.700	93.98	3.900	99.06	4.060	103.12	3.850	97.79	3.940	100.08
40/80*	3.900	99.06	4.100	104.14	4.260	108.20	4.050	102.87	4.140	105.16
42/84*	4.100	104.14	4.300	109.22	4.460	113.28	4.250	107.95	4.340	110.24
44/88*	4.300	109.22	4.500	114.30	4.660	118.36	4.450	113.03	4.540	115.32
46/92*	4.500	114.30	4.700	119.38	4.860	123.44	4.650	118.11	4.740	120.40
48/96*	4.700	119.38	4.900	124.46	5.060	128.52	4.850	123.19	4.940	125.48
50/100	4.900	124.46	5.100	129.54	5.260	133.60	5.050	128.27	5.140	130.56

* Consult factory for availability.