



Chipsmall Limited consists of a professional team with an average of over 10 year of expertise in the distribution of electronic components. Based in Hongkong, we have already established firm and mutual-benefit business relationships with customers from,Europe,America and south Asia,supplying obsolete and hard-to-find components to meet their specific needs.

With the principle of “Quality Parts,Customers Priority,Honest Operation,and Considerate Service”,our business mainly focus on the distribution of electronic components. Line cards we deal with include Microchip,ALPS,ROHM,Xilinx,Pulse,ON,Everlight and Freescale. Main products comprise IC,Modules,Potentiometer,IC Socket,Relay,Connector.Our parts cover such applications as commercial,industrial, and automotives areas.

We are looking forward to setting up business relationship with you and hope to provide you with the best service and solution. Let us make a better world for our industry!



## Contact us

Tel: +86-755-8981 8866 Fax: +86-755-8427 6832

Email & Skype: info@chipsmall.com Web: www.chipsmall.com

Address: A1208, Overseas Decoration Building, #122 Zhenhua RD., Futian, Shenzhen, China



## Glass Passivated Bridge Rectifiers

### FEATURES

- Glass passivated junction
- Integrally molded heatsink provide very low thermal resistance for maximum heat dissipation
- Typical  $I_R$  less than 0.2 $\mu$ A
- High surge current capability
- UL Recognized File # E-326243
- Compliant to RoHS Directive 2011/65/EU and in accordance to WEEE 2002/96/EC



**GBPC**



**GBPC-W**



**GBPC-M**



### MECHANICAL DATA

**Case:** GBPC

GBPC-W: Wire structure

GBPC-M: Terminal cathode parallel to anode

Molding compound, UL flammability classification rating 94V-0

**Terminal:** Matte tin plated leads, solderable per JESD22-B102  
Meet JESD 201 class 1A whisker test

**Polarity:** Polarity as marked on the body

**Mounting torque:** 20 in-lbs maximum

**Weight:** 16.95 g (approximately)

MAXIMUM RATINGS AND ELECTRICAL CHARACTERISTICS ( $T_A=25^\circ\text{C}$ unless otherwise noted)									
PARAMETER	SYMBOL	005	01	02	04	06	08	10	UNIT
Maximum repetitive peak reverse voltage	$V_{RRM}$	50	100	200	400	600	800	1000	V
Maximum RMS voltage	$V_{RMS}$	35	70	140	280	420	560	700	V
Maximum DC blocking voltage	$V_{DC}$	50	100	200	400	600	800	1000	V
Maximum average forward rectified current GBPC15 GBPC25 GBPC35	$I_{F(AV)}$				15 25 35				A
Peak forward surge current, 8.3 ms single half sine-wave superimposed on rated load (JEDEC method)	$I_{FSM}$				300 300 400				A
Maximum instantaneous forward voltage drop per element at specified current (Note 1)	$V_F$	GBPC15 7.5A GBPC25 12.5A GBPC35 17.5A			1.1				V
Maximum reverse current @ Rated VR @ $T_J=25^\circ\text{C}$	$I_R$				5				$\mu$ A
Typical thermal resistance	$R_{\theta JC}$				1.5				$^\circ\text{C/W}$
Operating junction temperature range	$T_J$				- 55 to +150				$^\circ\text{C}$
Storage temperature range	$T_{STG}$				- 55 to +150				$^\circ\text{C}$

Note 1: Pulse test with PW=300 $\mu$ s, 1% duty cycle

**ORDERING INFORMATION**

PART NO.	PACKING CODE	PACKAGE	PACKING
GBPC*5xx (Note 1)	T0	GBPC	Tray

Note 1: "\*" defines current from 15A (GBPC15xx) to 35A (GBPC35xx),  
"xx" defines voltage from 50V (GBPC\*5005) to 1000V (GBPC\*510)

**EXAMPLE**

PREFERRED P/N	PART NO.	PACKING CODE	DESCRIPTION
GBPC1510 T0	GBPC1510	T0	

**RATINGS AND CHARACTERISTICS CURVES**

( $T_A=25^{\circ}\text{C}$  unless otherwise noted)

FIG. 1 FORWARD CURRENT DERATING CURVE

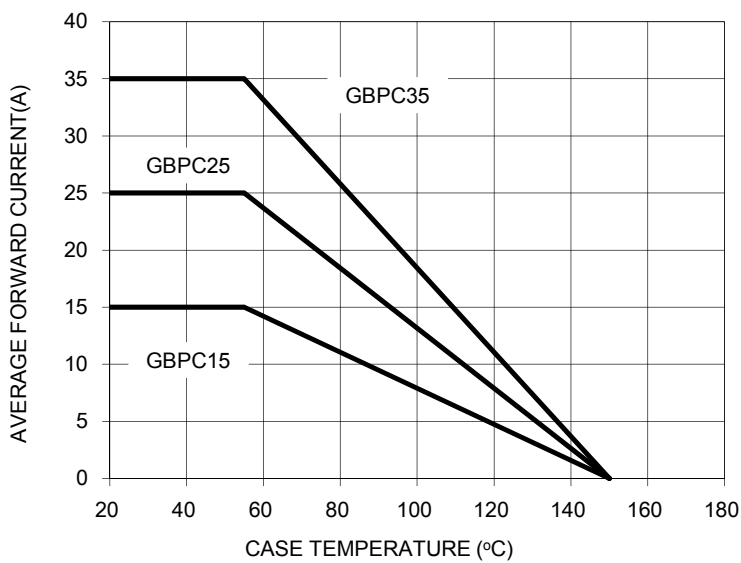


FIG. 2 TYPICAL REVERSE CHARACTERISTICS

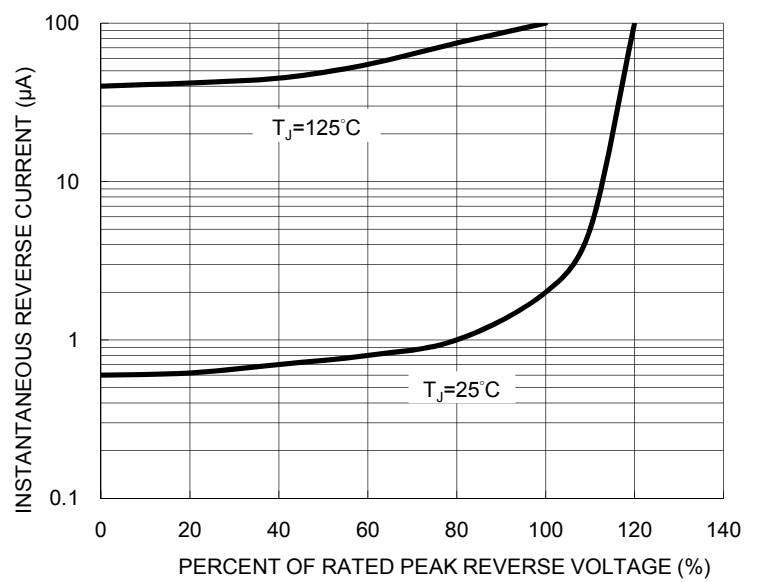


FIG. 3 MAXIMUM NON-REPETITIVE FORWARD SURGE CURRENT

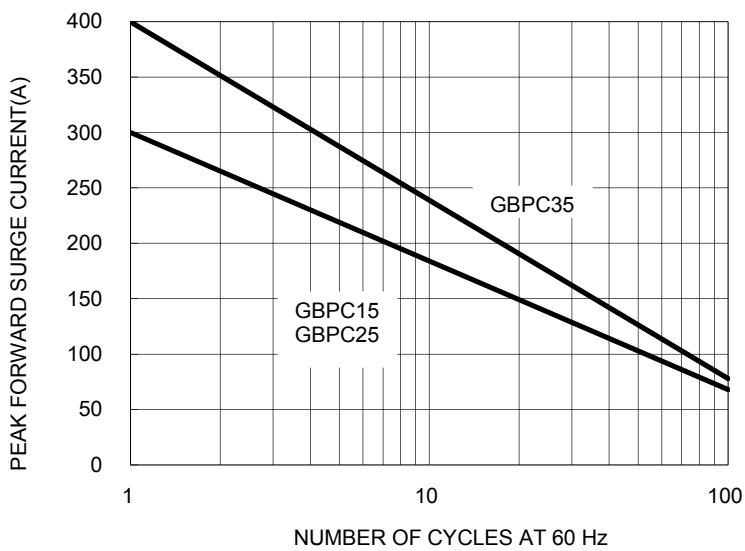


FIG. 4 TYPICAL FORWARD CHARACTERISTICS

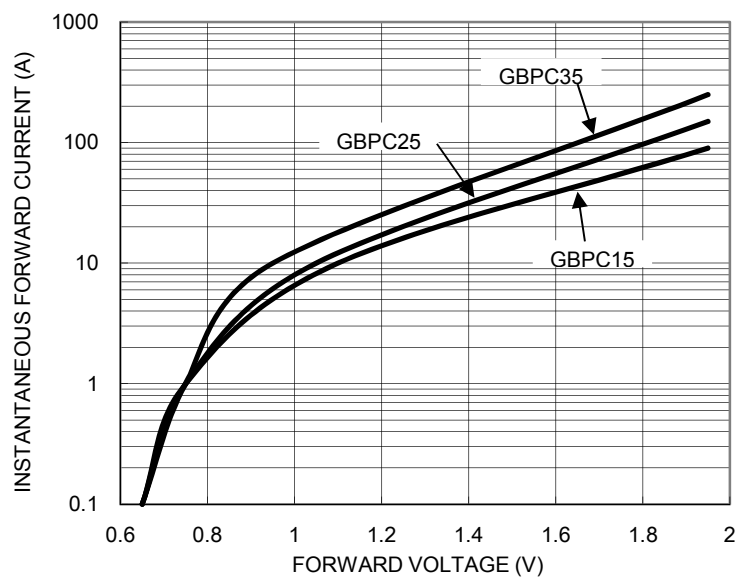
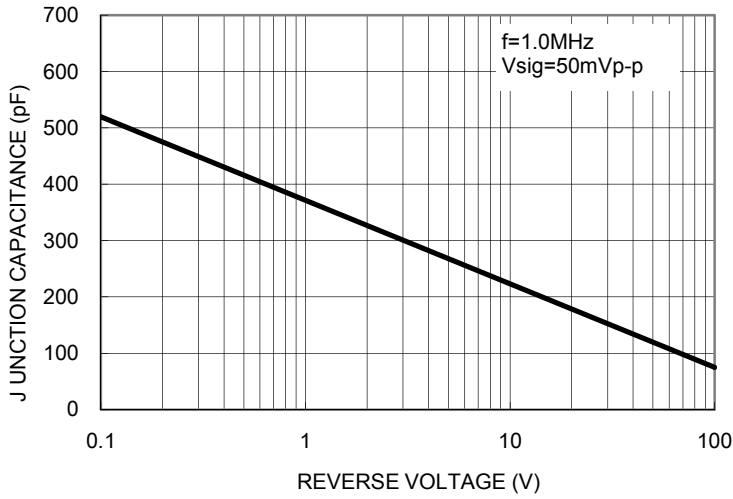
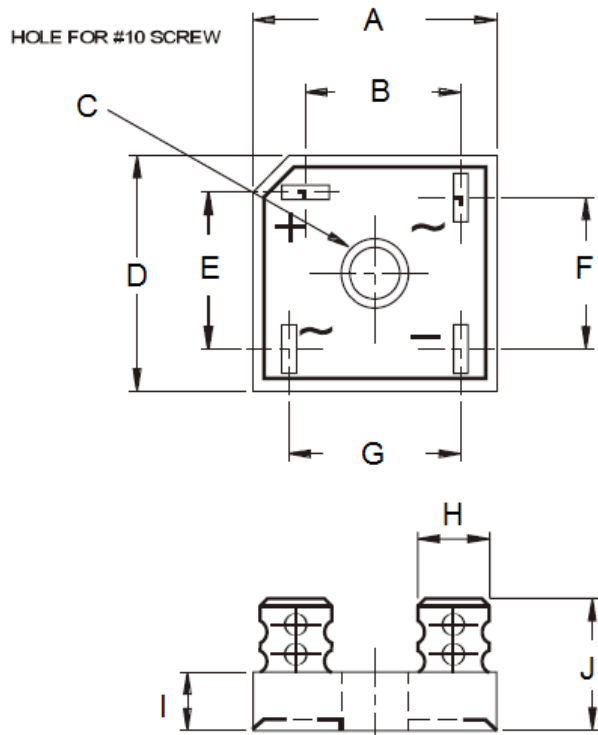




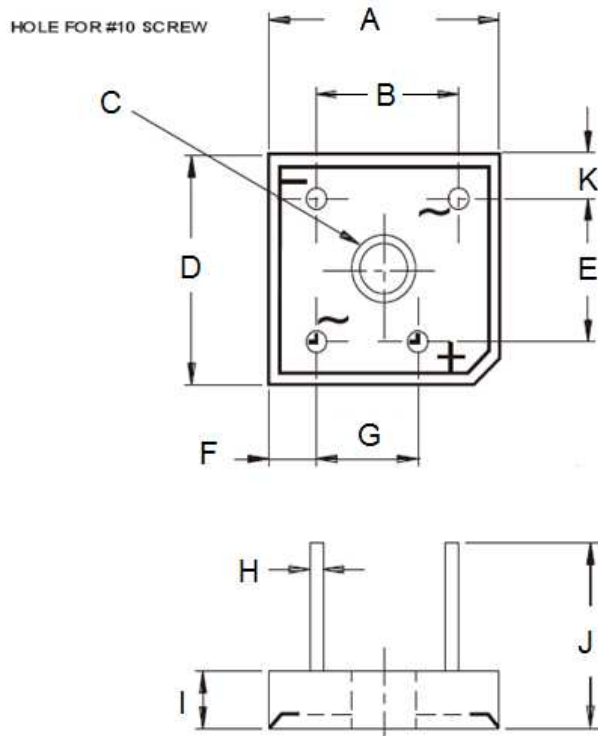
FIG. 5 TYPICAL JUNCTION CAPACITANCE



**PACKAGE OUTLINE DIMENSIONS**

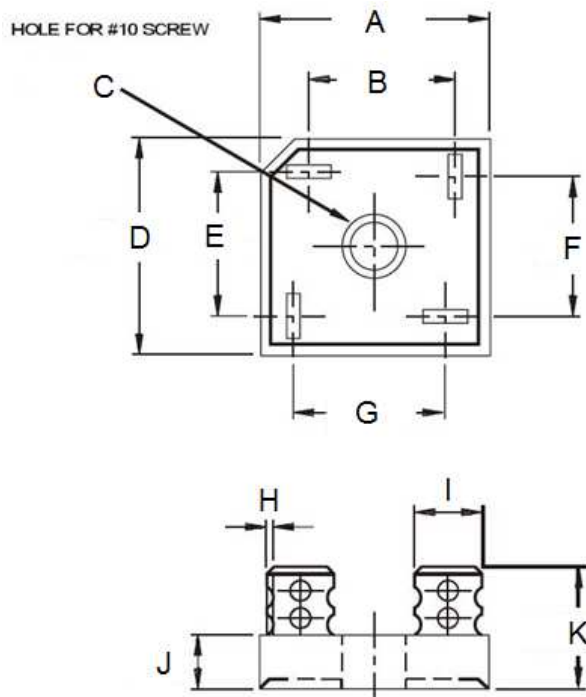


GBPC				
DIM.	Unit (mm)		Unit (inch)	
	Min	Max	Min	Max
A	28.50	29.00	1.122	1.142
B	15.50	17.60	0.610	0.693
C	5.08	5.59	0.200	0.220
D	28.50	29.00	1.122	1.142
E	15.50	17.60	0.610	0.693
F	13.30	15.30	0.524	0.602
G	17.10	19.10	0.673	0.752
H	6.35 (TYP)		0.25 (TYP)	
I	10.97	11.23	0.432	0.442
J	21.50	24.50	0.846	0.965



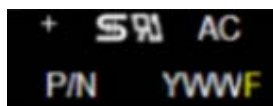
GBPC-W				
DIM.	Unit (mm)		Unit (inch)	
	Min	Max	Min	Max
A	28.50	29.00	1.122	1.142
B	17.10	19.10	0.673	0.752
C	5.08	5.59	0.200	0.220
D	28.50	29.00	1.122	1.142
E	17.10	19.10	0.673	0.752
F	4.40	6.20	0.173	0.244
G	10.40	12.40	0.409	0.488
H	0.97	1.07	0.038	0.042
I	10.97	11.23	0.432	0.442
J	30.50	-	1.201	-
K	4.40	6.20	0.173	0.244

**PACKAGE OUTLINE DIMENSIONS**



GBPC-M				
DIM.	Unit (mm)		Unit (inch)	
	Min	Max	Min	Max
A	28.50	29.00	1.122	1.142
B	15.50	17.60	0.610	0.693
C	5.08	5.59	0.200	0.220
D	28.50	29.00	1.122	1.142
E	15.50	17.60	0.610	0.693
F	15.50	17.60	0.610	0.693
G	15.50	17.60	0.610	0.693
H	0.76	0.86	0.030	0.034
I	6.6 (TYP)		0.26 (TYP)	
J	10.97	11.23	0.432	0.442
K	21.26	24.57	0.837	0.967

**MARKING DIAGRAM**



P/N = Specific Device Code  
YWW = Date Code  
F = Factory Code

### **Notice**

Specifications of the products displayed herein are subject to change without notice. TSC or anyone on its behalf, assumes no responsibility or liability for any errors or inaccuracies.

Information contained herein is intended to provide a product description only. No license, express or implied, to any intellectual property rights is granted by this document. Except as provided in TSC's terms and conditions of sale for such products, TSC assumes no liability whatsoever, and disclaims any express or implied warranty, relating to sale and/or use of TSC products including liability or warranties relating to fitness for a particular purpose, merchantability, or infringement of any patent, copyright, or other intellectual property right.

The products shown herein are not designed for use in medical, life-saving, or life-sustaining applications. Customers using or selling these products for use in such applications do so at their own risk and agree to fully indemnify TSC for any damages resulting from such improper use or sale.