



Chipsmall Limited consists of a professional team with an average of over 10 year of expertise in the distribution of electronic components. Based in Hongkong, we have already established firm and mutual-benefit business relationships with customers from,Europe,America and south Asia,supplying obsolete and hard-to-find components to meet their specific needs.

With the principle of “Quality Parts,Customers Priority,Honest Operation,and Considerate Service”,our business mainly focus on the distribution of electronic components. Line cards we deal with include Microchip,ALPS,ROHM,Xilinx,Pulse,ON,Everlight and Freescale. Main products comprise IC,Modules,Potentiometer,IC Socket,Relay,Connector.Our parts cover such applications as commercial,industrial, and automotives areas.

We are looking forward to setting up business relationship with you and hope to provide you with the best service and solution. Let us make a better world for our industry!



## Contact us

Tel: +86-755-8981 8866 Fax: +86-755-8427 6832

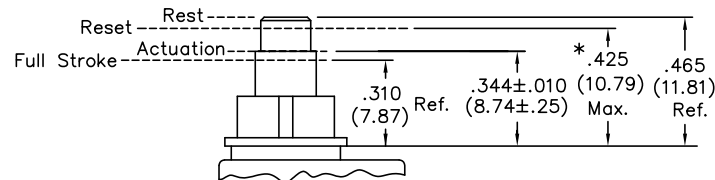
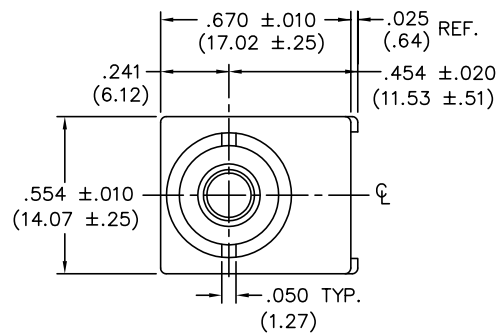
Email & Skype: info@chipsmall.com Web: www.chipsmall.com

Address: A1208, Overseas Decoration Building, #122 Zhenhua RD., Futian, Shenzhen, China



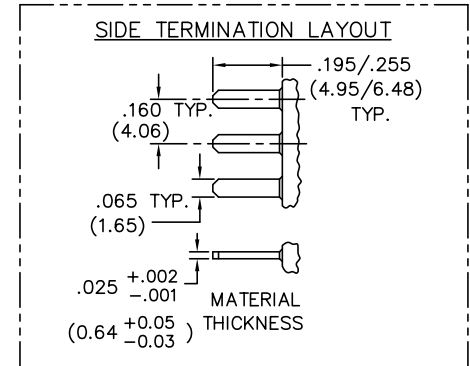
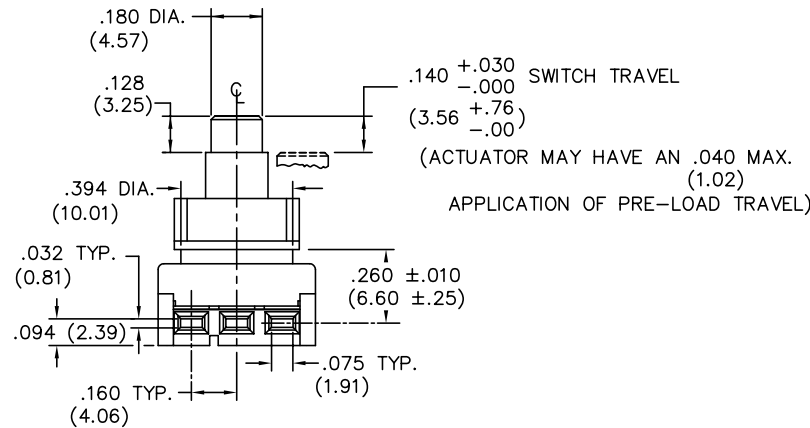
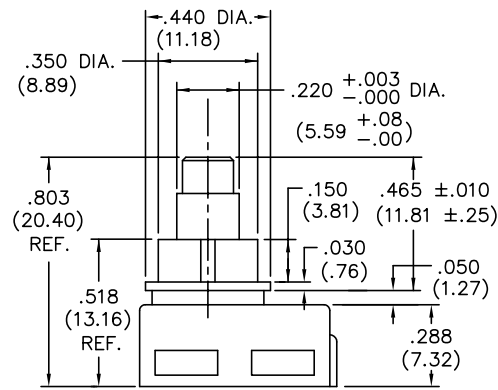
DIMENSIONS IN INCHES (MILLIMETERS)  
DO NOT SCALE DRAWING .....

Dwg. No.  
GC-536B-0108



SWITCH TRAVEL SPECIFICATIONS

\* Mating Part can Pre-Load Actuator down to .425 (10.79) max..




TERMINATION - Insert male tabs into switch housing using side termination. Refer to side termination layout for dimensions."

1 2 3 4 5 6 7 8 9 10

FORM-B3 REVISIONS

THIS INFORMATION IS CONFIDENTIAL AND PROPRIETARY TO CW INDUSTRIES INCORPORATED AND ITS AFFILIATES. IT MAY NOT BE DISCLOSED TO ANYONE, OTHER THAN CW INDUSTRIES PERSONNEL, WITHOUT WRITTEN AUTHORIZATION FROM CW INDUSTRIES INCORPORATED, SOUTHAMPTON, PENNSYLVANIA USA.

 <b>CW INDUSTRIES</b> Southampton, Pa. 18966		Title: SWITCH ASSEMBLY PUSH ON-PUSH OFF S.P.D.T. W/RIBS DAMPER SPRING VERSION
TOLERANCES UNLESS OTHERWISE SPECIFIED		
2 Place Decimal ±.010 3 Place Decimal ±.005 Angles ..... ±1°	METRIC 1 Place Dec. ±.25mm 2 Place Dec. ±.13mm	
Made for: CW IND.	Drawn by: DGW 11-17-2010	Division: SWITCH
Checked by: G. Guld 11-18-10	Approval: EJP 11/19/10	Dwg. No. GC-536B-0108