



Chipsmall Limited consists of a professional team with an average of over 10 year of expertise in the distribution of electronic components. Based in Hongkong, we have already established firm and mutual-benefit business relationships with customers from,Europe,America and south Asia,supplying obsolete and hard-to-find components to meet their specific needs.

With the principle of “Quality Parts,Customers Priority,Honest Operation,and Considerate Service”,our business mainly focus on the distribution of electronic components. Line cards we deal with include Microchip,ALPS,ROHM,Xilinx,Pulse,ON,Everlight and Freescale. Main products comprise IC,Modules,Potentiometer,IC Socket,Relay,Connector.Our parts cover such applications as commercial,industrial, and automotives areas.

We are looking forward to setting up business relationship with you and hope to provide you with the best service and solution. Let us make a better world for our industry!



Contact us

Tel: +86-755-8981 8866 Fax: +86-755-8427 6832

Email & Skype: info@chipsmall.com Web: www.chipsmall.com

Address: A1208, Overseas Decoration Building, #122 Zhenhua RD., Futian, Shenzhen, China



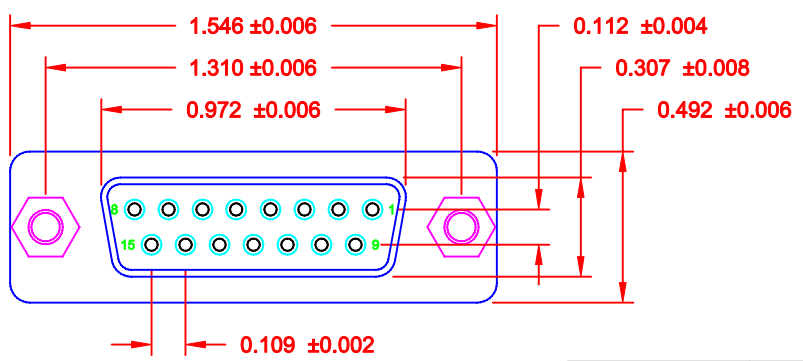
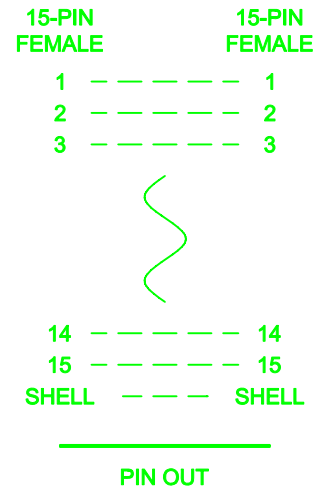
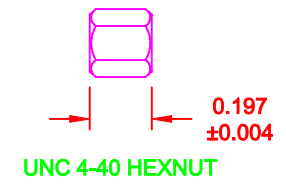
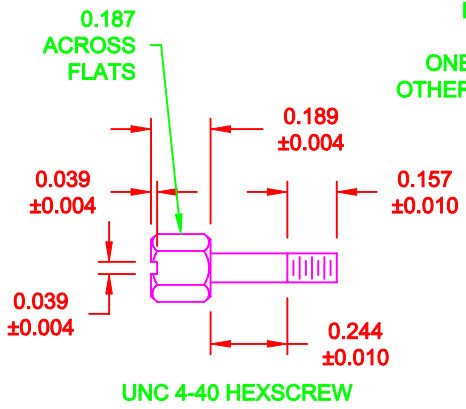
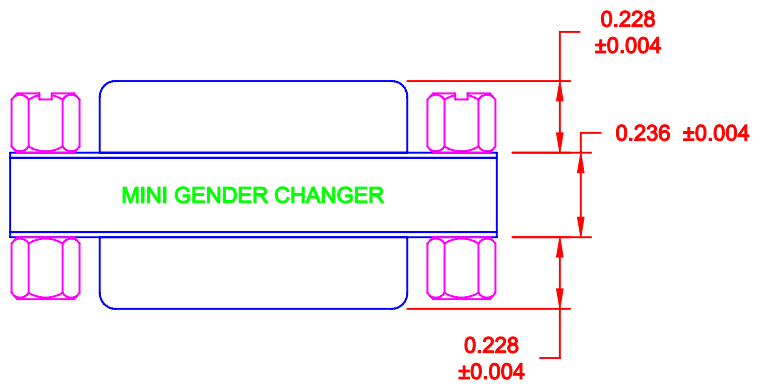
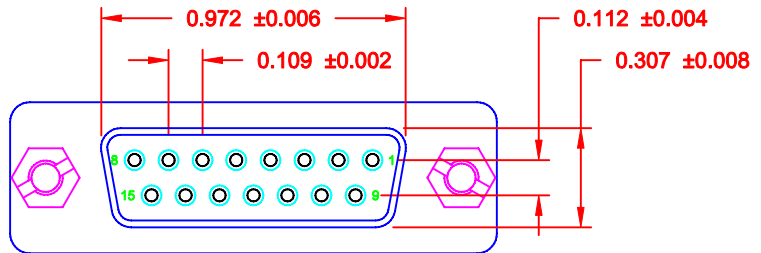
DESCRIPTION: -PIN FEMALE / FEMALE GENDER CHANGER

SPECIFICATION:

INSULATOR: PBT GLASS FIBER REINFORCED UL 94VO
 CONTACT: BRASS
 CONTACT PLATING: GOLD PLATED OVER NICKEL
 SHELL: TIN PLATED SHELL
 CURRENT RATING: 5 AMP
 DIELECTRIC STRENGTH: 1,000VAC FOR 1 MINUTE
 INSULATION RESISTANCE: 1,000 MegOHMS MIN @500 VDC
 TEMPERATURE: -55° C - +105° C

NOTE:

LABEL: YELLOW COLOR WITH BLACK CHARACTORS
 ONE SIDE: MINI GENDER CHANGER
 OTHER SIDE: U.S.A. PATENT 5199906



DO NOT SCALE FROM DRAWING

	THESE DRAWINGS AND SPECIFICATIONS ARE THE PROPERTY OF NorComp AND SHALL NOT BE REPRODUCED, COPIED OR USED AS THE BASIS FOR THE MANUFACTURE OF SALE OF APPARATUS WITHOUT WRITTEN PERMISSION.		DRAWN: C. SMITH	DATE: 10-15-07
			CHECKED:	DATE:
NorComp	SCALE: 1.5 : 1	SHEET 1	OF 1	REV 1
	DWG NO. GCLP15F15F			

RoHS COMPLIANT