



Chipsmall Limited consists of a professional team with an average of over 10 year of expertise in the distribution of electronic components. Based in Hongkong, we have already established firm and mutual-benefit business relationships with customers from,Europe,America and south Asia,supplying obsolete and hard-to-find components to meet their specific needs.

With the principle of “Quality Parts,Customers Priority,Honest Operation,and Considerate Service”,our business mainly focus on the distribution of electronic components. Line cards we deal with include Microchip,ALPS,ROHM,Xilinx,Pulse,ON,Everlight and Freescale. Main products comprise IC,Modules,Potentiometer,IC Socket,Relay,Connector.Our parts cover such applications as commercial,industrial, and automotives areas.

We are looking forward to setting up business relationship with you and hope to provide you with the best service and solution. Let us make a better world for our industry!



## Contact us

Tel: +86-755-8981 8866 Fax: +86-755-8427 6832

Email & Skype: info@chipsmall.com Web: www.chipsmall.com

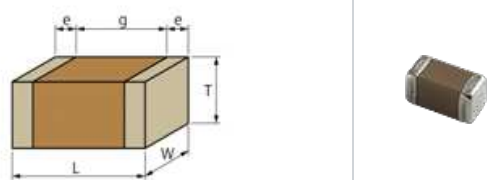
Address: A1208, Overseas Decoration Building, #122 Zhenhua RD., Futian, Shenzhen, China





< List of part numbers with package codes >  
GCM188R91H103KA37D , GCM188R91H103KA37J

**Shape**



|                                       |              |
|---------------------------------------|--------------|
| L size                                | 1.6 ±0.1mm   |
| W size                                | 0.8 ±0.1mm   |
| T size                                | 0.8 ±0.1mm   |
| External terminal width e             | 0.2 to 0.5mm |
| Distance between external terminals g | 0.5mm min.   |
| Size code in inch(mm)                 | 0603 (1608M) |

**References**

| Packaging | Specifications      | Minimum quantity |
|-----------|---------------------|------------------|
| D         | φ180mm Paper taping | 4000             |
| J         | φ330mm Paper taping | 10000            |

| Mass (typ.) |       |
|-------------|-------|
| 1 piece     | 6.3mg |
| φ180mm Reel | 144g  |

**Specifications**

|  |              |
|--|--------------|
| Capacitance                                      | 10000pF ±10% |
| Rated voltage                                    | 50Vdc        |
| Temperature characteristics (complied standard)  | X8R(EIA)     |
| Capacitance change rate                          | ±15.0%       |
| Temperature range of temperature characteristics | -55 to 150°C |
| Operating temperature range                      | -55 to 150°C |

**Attention**

- 1.This datasheet is downloaded from the website of Murata Manufacturing Co., Ltd. Therefore, it's specifications are subject to change or our products in it may be discontinued without advance notice. Please check with our sales representatives or product engineers before ordering.
- 2.This datasheet has only typical specifications because there is no space for detailed specifications. Therefore, please review our product specifications or consult the approval sheet for product specifications before ordering.