



Chipsmall Limited consists of a professional team with an average of over 10 year of expertise in the distribution of electronic components. Based in Hongkong, we have already established firm and mutual-benefit business relationships with customers from,Europe,America and south Asia,supplying obsolete and hard-to-find components to meet their specific needs.

With the principle of "Quality Parts,Customers Priority,Honest Operation,and Considerate Service",our business mainly focus on the distribution of electronic components. Line cards we deal with include Microchip,ALPS,ROHM,Xilinx,Pulse,ON,Everlight and Freescale. Main products comprise IC,Modules,Potentiometer,IC Socket,Relay,Connector.Our parts cover such applications as commercial,industrial, and automotives areas.

We are looking forward to setting up business relationship with you and hope to provide you with the best service and solution. Let us make a better world for our industry!



## Contact us

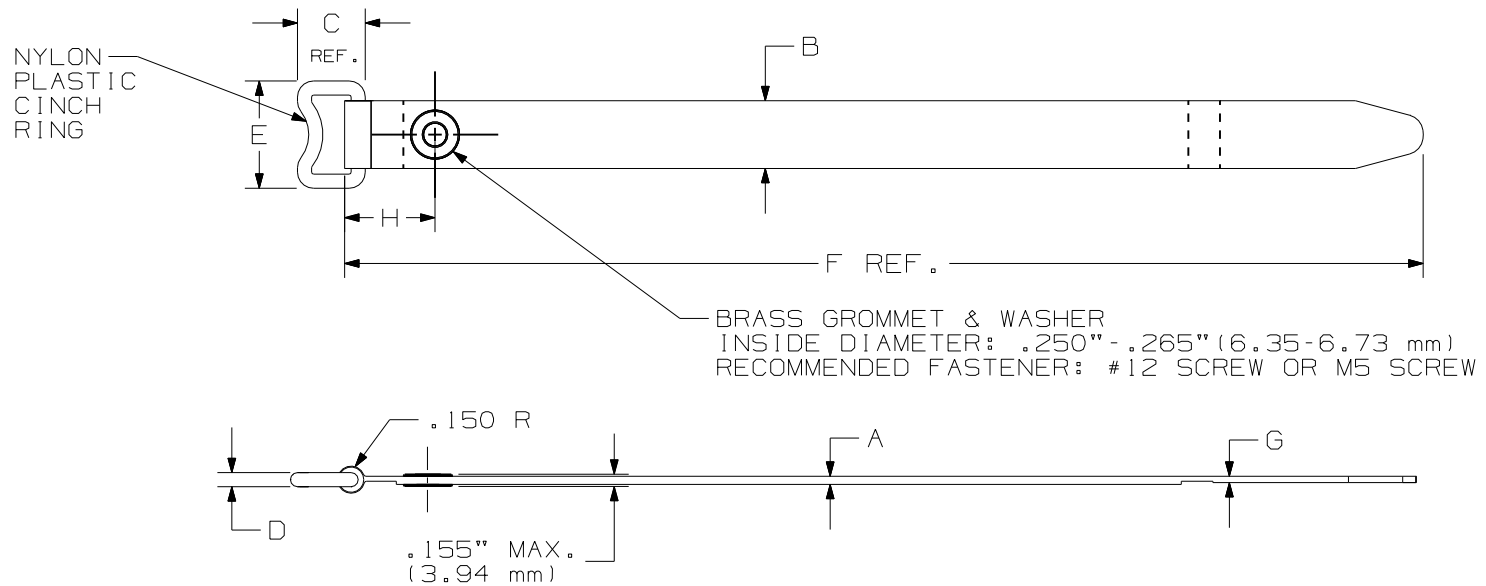
Tel: +86-755-8981 8866 Fax: +86-755-8427 6832

Email & Skype: info@chipsmall.com Web: www.chipsmall.com

Address: A1208, Overseas Decoration Building, #122 Zhenhua RD., Futian, Shenzhen, China



THIS COPY IS PROVIDED ON A RESTRICTED BASIS AND IS NOT TO BE USED IN ANY WAY DETRIMENTAL TO THE INTERESTS OF PANDUIT CORP.



PANDUIT PART NO.	BUNDLE DIA.		A in (mm)	B in (mm)	C in (mm)	D in (mm)	E in (mm)	F in (mm)	G in (mm)	H in (mm)	MIN. LOOP TENSILE lbs. (N)	CROSS SECTION	APPROXIMATE WEIGHT lbs/100 PIECES (g)
	MIN. in (mm)	MAX. in (mm)											
GCTC3S	2.25 (57.1)	3.0 (76.2)	.100 (2.5)	.75 (19.1)	.750 (19.1)	.156 (4.0)	1.10 (27.9)	12.0 (305)	.100 (2.5)	1.00 (25.4)	30 (133)	STANDARD	.93 (420)
GCTC5S	3.25 (82.5)	5.0 (127)	.100 (2.5)	.75 (19.1)	.750 (19.1)	.156 (4.0)	1.10 (27.9)	18.0 (457)	.100 (2.5)	1.00 (25.4)	50 (222)	STANDARD	1.05 (478)

NOTES:

- 1) SEE CURRENT PRICE SHEET FOR PART NUMBER SUFFIX DESIGNATION FOR PACKAGE SIZE AND COLOR.
- 2) MINIMUM 2" OVERLAP REQUIRED TO ACHIEVE LOOP TENSILE RATING.

DIMENSIONS IN PARENTHESIS ARE IN METRIC UNITS.

SS\_27301\_00.prt

PANDUIT CORP. TINLEY PARK, ILLINOIS

TAK-TY HOOK & LOOP CABLE TIES  
GROMMET CINCH TIE CENTER MOUNT

UNLESS OTHERWISE SPECIFIED,  
DIMENSIONAL TOLERANCES ARE:  
(.X) ± .25 (.XXX) ± .030  
(.XX) ± .125 ANGLES ±

UNLESS OTHERWISE SPECIFIED,  
ALL DIMENSIONS ARE GIVEN  
IN INCHES, THIRD ANGLE PROJECTION.

DRAWN BY  
MIR

MAT'L:

SCALE  
NONE

DATE  
3/1/01

WOVEN NYLON  
HOOK/LOOP  
COLOR: BLACK  
EXCEPT GROMMET

DRAWING NO.

SS-27301

DWG  
A  
SIZE

7	6/5/06	FAB	DW	ADDED PART WEIGHTS TO DRAWING	27301	7		
REV	DATE	BY	CHK	DESCRIPTION	ECN	R	CUST	SUP