



Chipsmall Limited consists of a professional team with an average of over 10 year of expertise in the distribution of electronic components. Based in Hongkong, we have already established firm and mutual-benefit business relationships with customers from,Europe,America and south Asia,supplying obsolete and hard-to-find components to meet their specific needs.

With the principle of "Quality Parts,Customers Priority,Honest Operation,and Considerate Service",our business mainly focus on the distribution of electronic components. Line cards we deal with include Microchip,ALPS,ROHM,Xilinx,Pulse,ON,Everlight and Freescale. Main products comprise IC,Modules,Potentiometer,IC Socket,Relay,Connector.Our parts cover such applications as commercial,industrial, and automotives areas.

We are looking forward to setting up business relationship with you and hope to provide you with the best service and solution. Let us make a better world for our industry!



Contact us

Tel: +86-755-8981 8866 Fax: +86-755-8427 6832

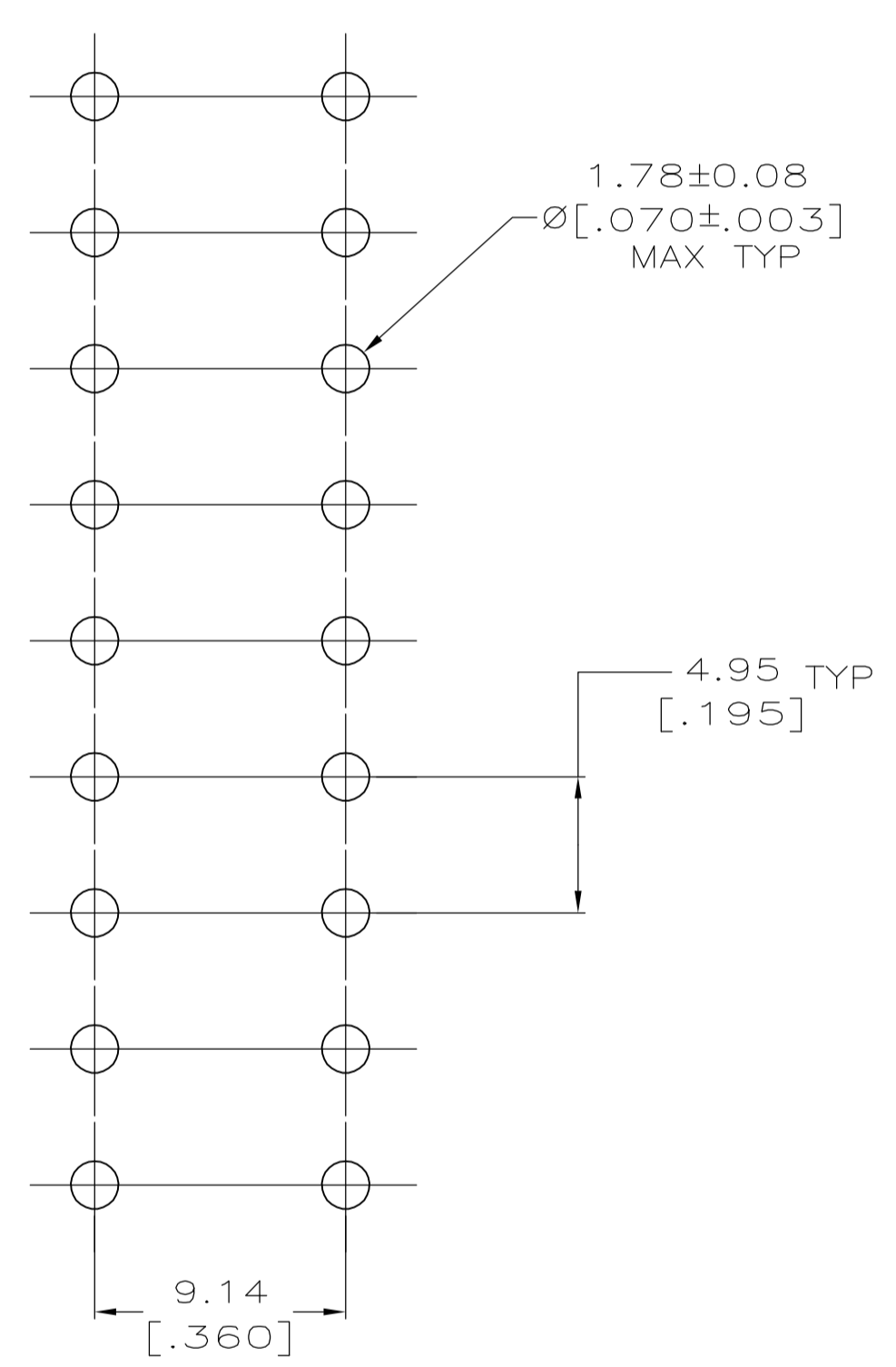
Email & Skype: info@chipsmall.com Web: www.chipsmall.com

Address: A1208, Overseas Decoration Building, #122 Zhenhua RD., Futian, Shenzhen, China

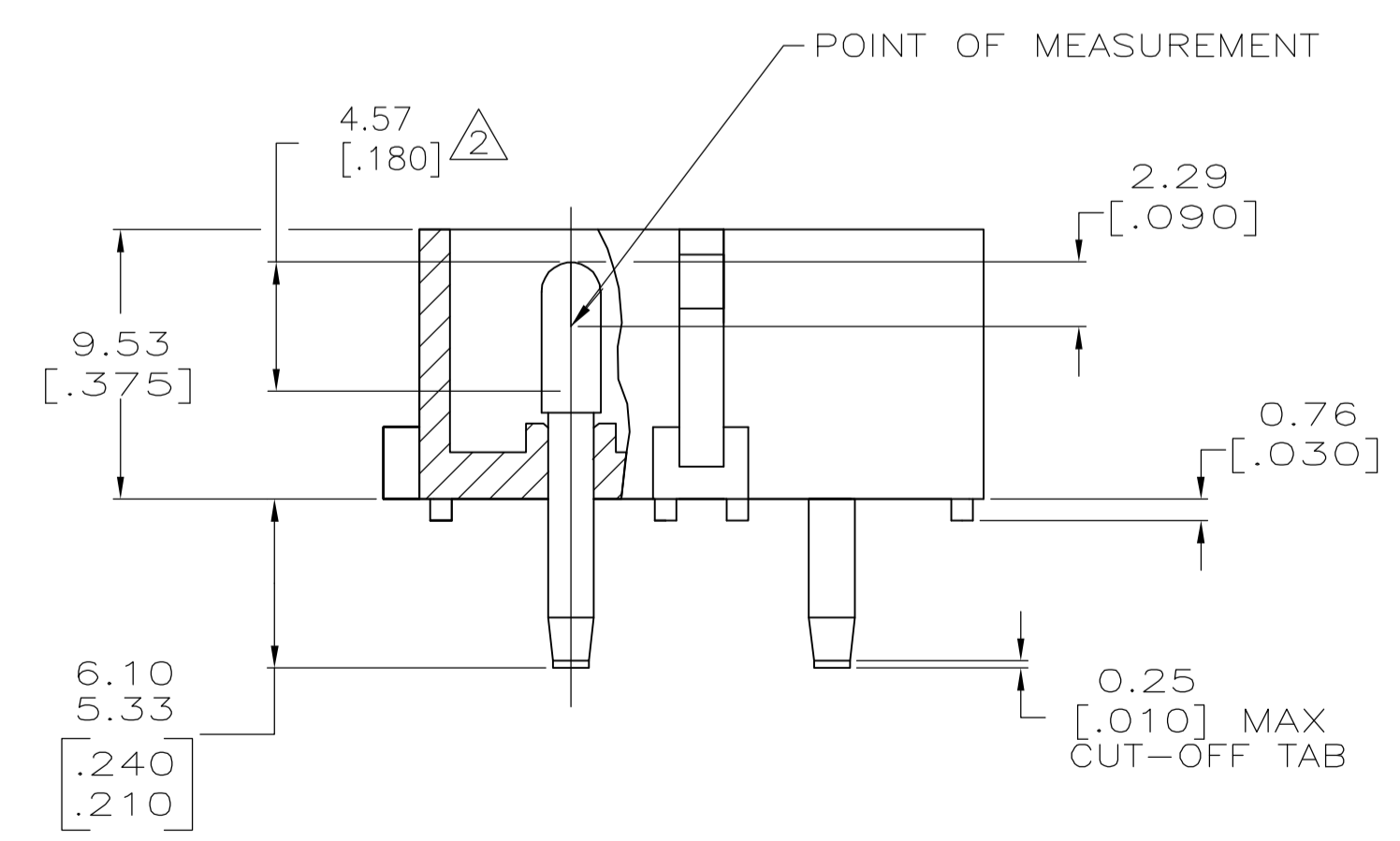
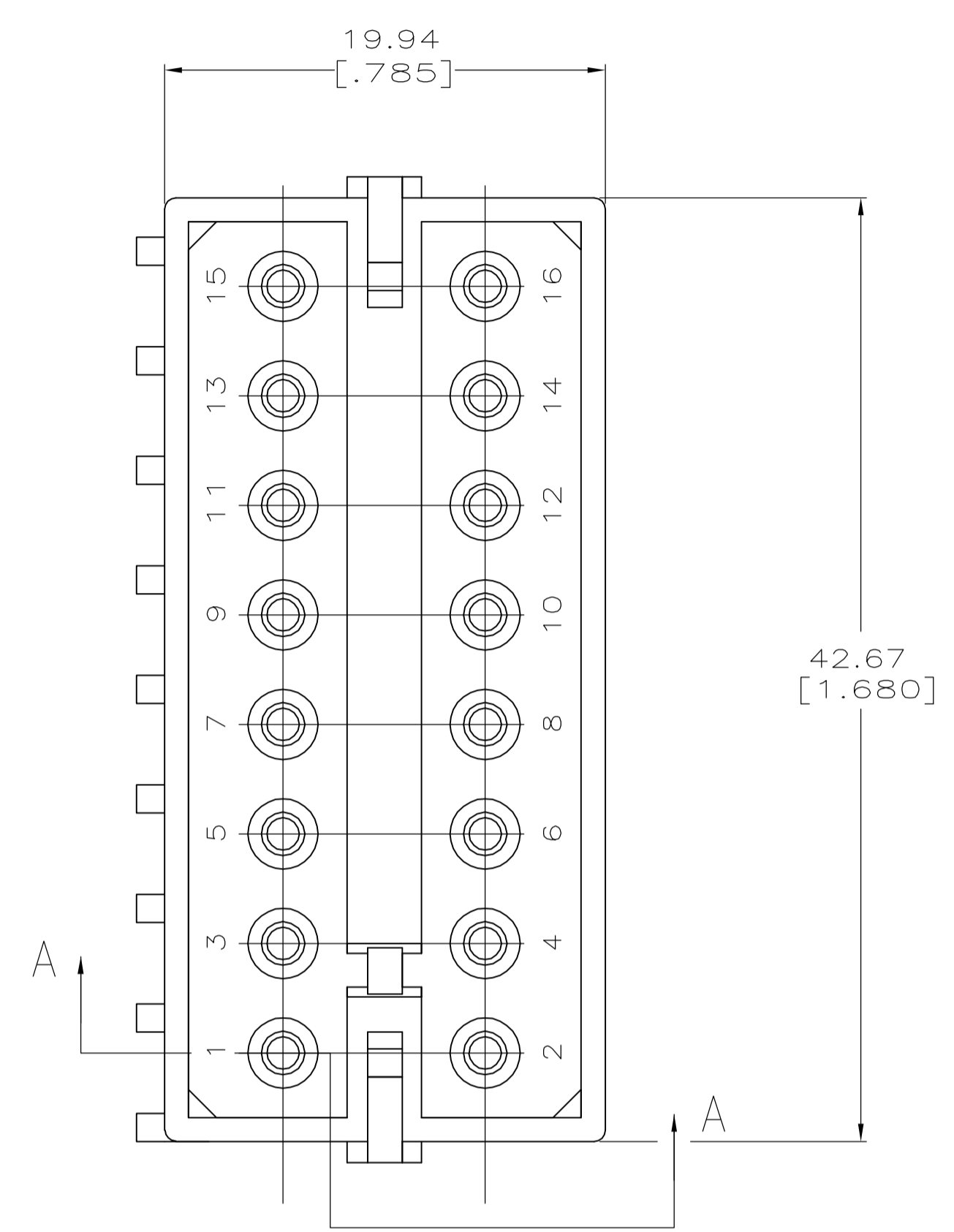


LOC		DIST		REVISIONS			
P	LTR	DESCRIPTION	DATE	DWN	APVD	SS	DC
0		REVISED PER 063B-1133-04	7/28/05	SS	DC		

- PARTS MUST COMPLY WITH AMP SOLDERABILITY SPECIFICATION 109-11-3.
- CONTACT IS PLATED OVERALL WITH 0.00127 [.000050] NICKEL, THEN 0.00076 [.00030] GOLD OVER CONTACT LENGTH INDICATED AND MATTE TIN ON SOLDER TAIL END.
- DIMENSIONS IN BRACKETS ARE IN INCHES.



RECOMMENDED MOUNTING HOLE PATTERN FOR 3.18 [.125] THICK P.C. BOARD



SECTION A-A

COPPER ALLOY, GOLD FINISH		NYLON, 6/6, NATURAL MATERIAL	1586529-2 PART NUMBER
THIS DRAWING IS A CONTROLLED DOCUMENT.		DIN S SCHLEGEL 7/28/05	Tyco Electronics Corporation
DIMENSIONS: mm [INCHES]		CHK D COLEY 7/28/05	Harrisburg, Pa 17105-3608
TOLERANCES UNLESS OTHERWISE SPECIFIED:		APVD D COLEY 7/28/05	NAME
0 PLC	± -	PRODUCT SPEC	HEADER ASSEMBLY, 16 CIRCUIT, COMMERCIAL MATE-N-LOK
1 PLC	± -	APPLICATION SPEC	
2 PLC	± 0.13 [.005]		
3 PLC	± -		
4 PLC	± -		
ANGLES	± -		
MATERIAL SEE TABLE	FINISH SEE TABLE	WEIGHT -	SIZE A1 00779 C=1586529
CUSTOMER DRAWING		SCALE 4:1	SHEET 1 OF 1 REV 0