



Chipsmall Limited consists of a professional team with an average of over 10 year of expertise in the distribution of electronic components. Based in Hongkong, we have already established firm and mutual-benefit business relationships with customers from,Europe,America and south Asia,supplying obsolete and hard-to-find components to meet their specific needs.

With the principle of “Quality Parts,Customers Priority,Honest Operation,and Considerate Service”,our business mainly focus on the distribution of electronic components. Line cards we deal with include Microchip,ALPS,ROHM,Xilinx,Pulse,ON,Everlight and Freescale. Main products comprise IC,Modules,Potentiometer,IC Socket,Relay,Connector.Our parts cover such applications as commercial,industrial, and automotives areas.

We are looking forward to setting up business relationship with you and hope to provide you with the best service and solution. Let us make a better world for our industry!



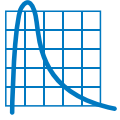
Contact us

Tel: +86-755-8981 8866 Fax: +86-755-8427 6832

Email & Skype: info@chipsmall.com Web: www.chipsmall.com

Address: A1208, Overseas Decoration Building, #122 Zhenhua RD., Futian, Shenzhen, China





T H E R M O M E T R I C S
A C O M M I T M E N T T O E X C E L L E N C E

Outside Air Temperature Sensor (OAT)



This sensor measures the temperature outside the passenger compartment and is usually mounted inside or near the front bumper or in the side mirror. The sensor relays the outside air temperature to the controller of the automatic HVAC systems. The controller uses this temperature to help control the interior temperature of the vehicle. The sensor also provides the vehicle occupants with temperature readings from outside the car. This information is particularly useful when driving under near freezing or freezing conditions.

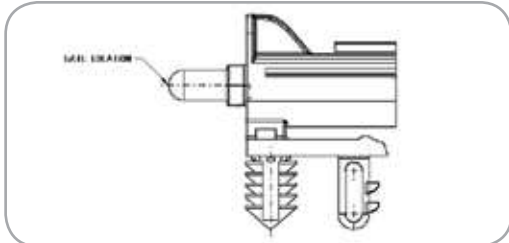
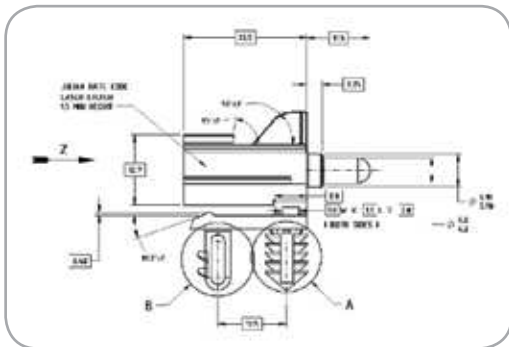
Applications

- Outside Air Temperature measurement
- Under hood or outside temperature

Features

- Low Price
- High sensitivity
- Wide application
- Compact design
- Integral sealed connector
- Small size
- Single hand installation with no tools
- Alternate RvT curves available
- Other resistance and beta values available
- Different geometries to meet package requirements

Amphenol
Advanced Sensors



Resistance vs. Temperature Data

Resistance = 10000 Ohms at 25.00 °C Rtol. @ 25°C 1.50%

Temp. (°C)	Rnominal (ohms)	Res. Tol. ±%	Rmin. (Ohms)	Rmax. (Ohms)	Temp. Coef. (%/°C)	Temp. Accy. (± °C)
-40	332776	5.95	312976	352577	6.63	0.90
-35	240264	5.50	227050	253479	6.40	0.86
-30	175427	5.07	166533	184321	6.18	0.82
-25	129449	4.65	123430	135468	5.98	0.78
-20	96481	4.24	92390	100572	5.78	0.73
-15	72592	3.84	69805	75380	5.60	0.69
-10	55109	3.46	53203	57016	5.43	0.64
-5	42193	2.71	41050	43337	5.26	0.52
0	32566	2.71	32683	33448	5.10	0.53
5	25338	2.44	24720	25956	4.94	0.49
10	19869	2.19	19433	20304	4.79	0.46
15	15695	1.95	15389	16001	4.65	0.42
20	12486	1.72	12271	12701	4.51	0.38
25	10000	1.50	9850	10150	4.38	0.34
30	8060	1.71	7922	8198	4.25	0.40
35	6536	1.91	6411	6661	4.13	0.46
40	5331	2.11	5219	5444	4.02	0.52
45	4373	2.29	4273	4473	3.91	0.59
50	3606	2.47	3517	3695	3.81	0.65
55	2989	2.66	2909	3068	3.70	0.72
60	2490	2.84	2419	2561	3.60	0.79
65	2085	3.00	2022	2147	3.51	0.86
70	1754	3.16	1698	1809	3.42	0.93
75	1482	3.31	1433	1531	3.33	0.99
80	1257	3.45	1214	1301	3.24	1.06
85	1071	3.58	1033	1110	3.16	1.13
90	916.4	3.80	881.6	951.2	3.09	1.23
95	786.9	4.00	755.4	818.3	3.01	1.33
100	678.1	4.19	649.7	706.6	2.94	1.43
105	586.5	4.29	561.4	611.7	2.87	1.49
110	509.1	4.38	486.8	531.4	2.80	1.57
115	443.3	4.48	423.5	463.2	2.73	1.64
120	387.3	4.59	369.6	405.1	2.67	1.72
125	339.5	4.69	323.6	355.4	2.61	1.80
130	298.4	4.79	284.1	312.7	2.55	1.88
135	263.1	4.89	250.2	275.9	2.49	1.96
140	232.6	5.00	220.9	244.2	2.44	2.05
145	206.1	5.11	195.6	216.7	2.39	2.14
150	183.2	5.21	173.7	192.8	2.33	2.23

Specifications

R @ 77°C (25°C)

10 KΩ ± 1.5%

B (25/85)°C

3957 – 3990

Operating Temperature

-30°C to 80°C

Storage Temperature

-40°C to 90°C

Temperature Accuracy

±0.34 @ 25°C

NTC Part Number

NDUS 7897

Response time

Maximum 30 seconds (in air)

Housing Material

Polyamide 6/6

Weight

2.85 grams

Connector

064-S-002-1-B02

Mating Connector

Molex Part No. 31402 2500

Amphenol
Advanced Sensors

www.amphenol-sensors.com

© 2014 Amphenol Corporation. All Rights Reserved. Specifications are subject to change without notice. Other company names and product names used in this document are the registered trademarks or trademarks of their respective owners.