



Chipsmall Limited consists of a professional team with an average of over 10 year of expertise in the distribution of electronic components. Based in Hongkong, we have already established firm and mutual-benefit business relationships with customers from,Europe,America and south Asia,supplying obsolete and hard-to-find components to meet their specific needs.

With the principle of “Quality Parts,Customers Priority,Honest Operation,and Considerate Service”,our business mainly focus on the distribution of electronic components. Line cards we deal with include Microchip,ALPS,ROHM,Xilinx,Pulse,ON,Everlight and Freescale. Main products comprise IC,Modules,Potentiometer,IC Socket,Relay,Connector.Our parts cover such applications as commercial,industrial, and automotives areas.

We are looking forward to setting up business relationship with you and hope to provide you with the best service and solution. Let us make a better world for our industry!



Contact us

Tel: +86-755-8981 8866 Fax: +86-755-8427 6832

Email & Skype: info@chipsmall.com Web: www.chipsmall.com

Address: A1208, Overseas Decoration Building, #122 Zhenhua RD., Futian, Shenzhen, China

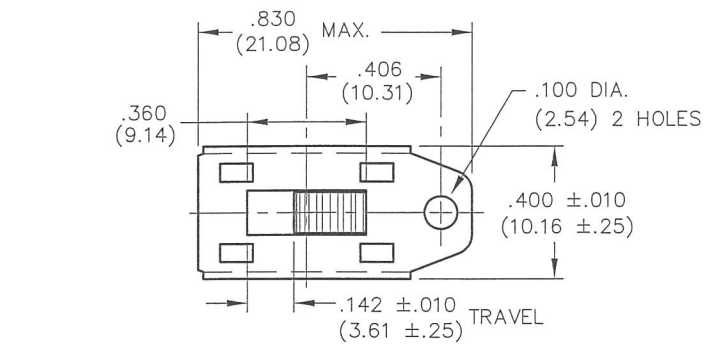


F
 D
 C
 B
 A

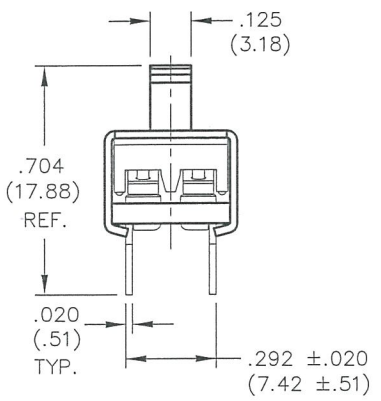
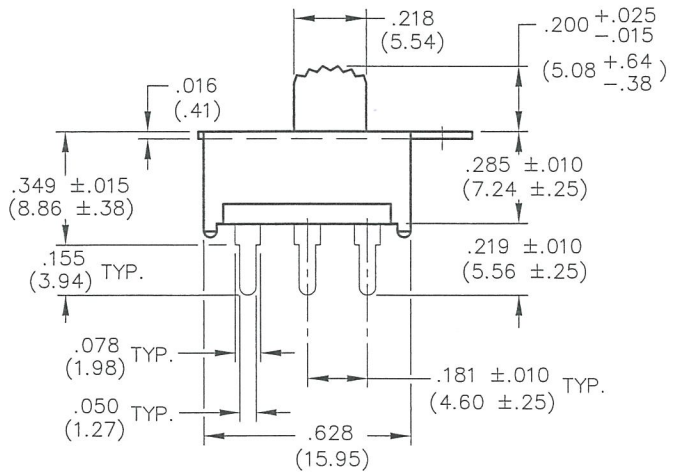
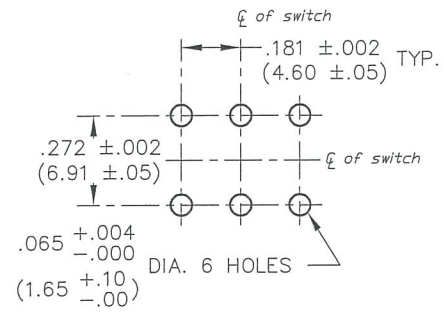
THIS INFORMATION IS CONFIDENTIAL AND PROPRIETARY TO CV INDUSTRIES INCORPORATED AND ITS AFFILIATES. IT MAY NOT BE DISCLOSED TO ANYONE, OTHER THAN CV INDUSTRIES PERSONNEL, WITHOUT WRITTEN AUTHORIZATION FROM CV INDUSTRIES INCORPORATED, SOUTHAMPTON, PENNSYLVANIA USA.

DIMENSIONS IN INCHES (MILLIMETERS)
 DO NOT SCALE DRAWING

Dwg. No.
GF-126-0180



P.C. LAYOUT



1 2 3 4 5 6 7 8 9 10

B-FORMAT 2002
REVISIONS
 RELEASED:
 DGW 7-09-13
JUL 19 2013

PDF MADE

GW INDUSTRIES		Southampton, Pa. 18966	
TOLERANCES UNLESS OTHERWISE SPECIFIED			
2 Place Decimal ±.010	METRIC		
3 Place Decimal ±.005	1 Place Dec. ±.25mm		
Angles ±1'	2 Place Dec. ±.13mm		
Made for: CW IND.			
Drawn by: DGW 7-09-13			
Checked by: <i>G. Guld</i> 7-10-13			
Approval: <i>G. Guld</i> 7-10-13			

Title: **MINI-SLIDE SWITCH ASSEMBLY**
D.P. - D.T.
ONE MOUNTING EAR

Division: **SWITCH**

Dwg. No. **GF-126-0180**

MASTER